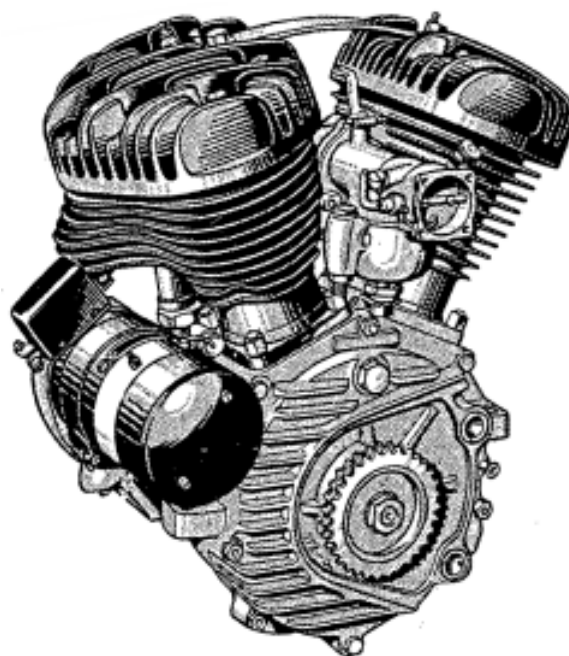


**'37-'73 WL, WLA, WLC, Servi-car  
750cc models**




**Jan Willem Boon**

Meppelerweg 3  
7963 RV Ruinen  
The Netherlands

Phone: +31 (0)522-471177  
E-mail: [jw@jwboon.com](mailto:jw@jwboon.com)  
Web: [www.jwboon.com](http://www.jwboon.com)

## How to use this catalog:

Part number:  
All numbers that begin with a letter (R, C) are reproduction parts, other numbers are original Harley parts (new old stock).

Price:  
Prices are in Euro's.   
Prices include dutch sales-tax.  
Sales-tax will be deducted on shipments outside the EU.  
Dutch sales-tax is 21%, except books (9%).  
"n.a." is "not available" (sold out)

Refers to letter in picture.  
In this case you can choose between four part numbers.

A.	<b>2326-38</b>	Hex plug	'38-'51	park	n.a. *
"	<b>R2326-38P</b>	Hex plug	'38-'51	park	7.50 *
"	<b>R2326-38</b>	Hex plug	'38-'51	cad	7.50 *
"	<b>R2326-38C</b>	Hex plug	'38-'51	chrome	10.63 *
B.	<b>C8115-1</b>	Hex plug	'52-'73	cad	6.25 *
"	<b>C8114-1</b>	Hex plug	'52-'73	chrome	9.38 *

The little star \* means the part was manufactured in the USA.  
No star means not USA-made or we do not know. (we rely on information from our suppliers)

## How to order:

You can order by phone, e-mail, or website form.

When ordering parts you need to give your name and address, and the list of part numbers you require. The part numbers are the bold printed numbers in this catalog.

You must use part numbers from this catalog, do not use Harley "oem" part numbers.

Payment and shipping depend on the size of the order, and to which country it is shipped.

You can find the cost for most common shipments on the website.

Minimum order: € 125.00

## Jan Willem Boon

Meppelerweg 3  
7963 RV Ruinen  
The Netherlands

Phone: +31 (0)522-471177 9.00-17.00 weekdays  
E-mail: [jw@jwboon.com](mailto:jw@jwboon.com)  
Web: [www.jwboon.com](http://www.jwboon.com)

**mailorder only**



## Info:

Pictures in this catalog are for illustration purpose only, do not use for technical reference.

Most older paper gaskets need to be soaked in water for 10 minutes to regain their original size.

The Harley-Davidson part numbers are for reference only.

**For up-to-date information check our on-line database:**  
[www.jwboon.com](http://www.jwboon.com)

### About nuts:

Early 1940's and earlier nuts were mostly manufactured by H-D and were machined from stock. These nuts are clearly different than the later style nuts.



See the "Bolts and Nuts" section in the back of this catalog for a complete list

### Hex bolt head markings:

'41 and earlier bolts were usually made by Harley and were not marked (plain head). War-time production saw the arrival of other suppliers, these could be marked "1035 cp" or "1038cp"



See the "Bolts and Nuts" section in the back of this catalog for a complete list

<b>Manuals</b>	<b>2-3</b>	<b>Gas/oil tank parts</b>	<b>48-51</b>
Spare parts catalogs	2	Oil tank caps	48
Service manuals	2	Gas tank caps	48
Service department bulletins	2	Oil lines	50
"The Enthusiast"	3	Gas lines	50
Owner's manuals/riders handbooks	3	Gas filters	51
Accessory catalogs	3	Gas tank valve	51
<b>Miscellaneous books</b>	<b>4</b>	<b>Fenders &amp; chainguards</b>	<b>52-54</b>
<b>Upper engine parts</b>	<b>7-11</b>	Rear fender	52
Top motor mount	7	Fender trim kits	52
Cylinder head gasket	7	Front fender	53
Head bolts	8	Front chainguards	54
Engine gasket sets	9	Rear chainguard	54
Valves	10	<b>Wheels</b>	<b>55-56</b>
Tappets	11	Rear axle	55
<b>Stock hardware kits</b>	<b>11</b>	Front axle	55
<b>Pistons</b>	<b>12</b>	Rear wheel hub	56
<b>Lower engine parts</b>	<b>13-19</b>	Front wheel hub	56
Connecting rods	13	<b>Brakes</b>	<b>57-60</b>
Crankshaft	14	Rear brake	57
Crankshaft bearings	15	Spokes	58
Motor mounting	16	Front brake	59
Crankcase hardware	16	<b>Electrical</b>	<b>61-67</b>
Cam cover	17	Battery box	61
Oil pumps	19	Instrument panel	62
<b>Exhaust systems</b>	<b>20</b>	Wiring	63
<b>Carburetor</b>	<b>21-23</b>	Switches	64
Air cleaners	23	Horn	65
<b>Generator</b>	<b>24-25</b>	Headlamp	66
<b>Circuit breaker (timer)</b>	<b>26</b>	Taillights	66
<b>Spark coils</b>	<b>27</b>	<b>Accessories</b>	<b>68-70</b>
<b>Transmission</b>	<b>28-33</b>	Rear view mirrors	68
Chains & sprockets	28	Jiffy stand parts	68
Starter parts	29	Speedometer	69
Shifter parts	30	Spotlights	70
Gear box hardware	31	<b>Tools</b>	<b>71-73</b>
Gear box hardware kits	32	Heli-Coil®	73
Gear box internals	33	Taps and dies, special sizes	73
<b>Clutch</b>	<b>34-37</b>	<b>Screws, bolts, nuts</b>	<b>74-78</b>
Clutch pedal	34	Round head screws	74
Clutch release lever	35	Fillister head screws	74
Clutch hub	36	Oval countersunk head screws	74
<b>Springer fork</b>	<b>38-41</b>	Hex head bolts	75
Fork springs	38	Nuts	76
Rocker parts, inside rockers	39	Washers	77
Rocker parts, outside rockers	39	Lockwashers	78
Frame head bearings	40	Steel balls	78
Steering damper	40	Rivets	78
Ride control	41	Special lockwashers	78
<b>Footboards</b>	<b>42</b>	Grease fittings	78
<b>Rear stand mounting parts</b>	<b>43</b>	Cotter pins	78
<b>Seat mounting</b>	<b>44-45</b>	<b>Standard hardware</b>	<b>79-82</b>
Seat post parts	45		
<b>Handlebar parts</b>	<b>46</b>		
<b>Tool box</b>	<b>47</b>		
<b>Buddy seat parts</b>	<b>47</b>		



# Manuals

€ prices  
in euro

## Spare Parts Catalogs

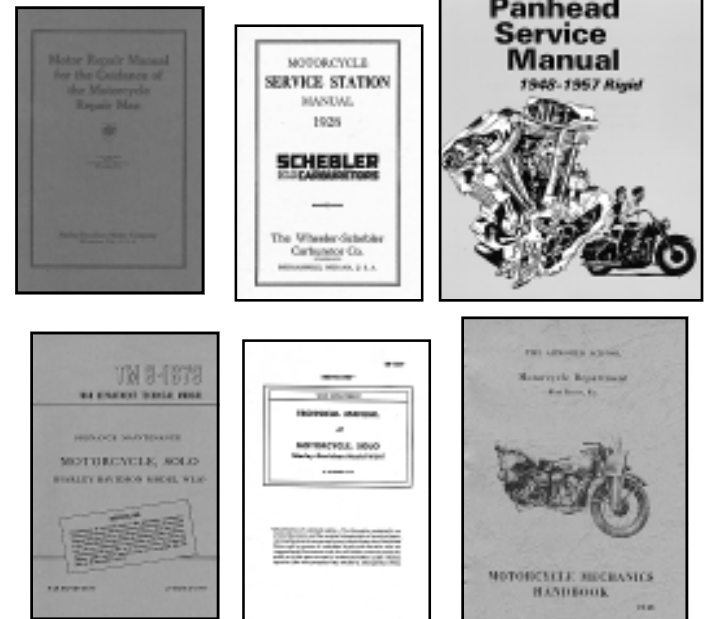
Essential information for restoring your Harley-Davidson.  
Books 500 to 503 have photos, later books have exploded views.

<b>L500</b>	'13-'21 Twins	95 p.	16.00 ☛
<b>L501A</b>	'22-'28 all except opposed Twin	90 p.	12.00
<b>L502</b>	'28-'32 all models	105 p.	15.00
<b>L516</b>	'26-'39 all models	175 p.	20.00 ☛
<b>L503</b>	'30-'40 Twins	150 p.	22.00
<b>L504</b>	'37-'49 Big Twins	148 p.	15.00
<b>L505</b>	'40-'50 750cc civilian and Servi-car	124 p.	15.00
<b>L541</b>	'40-'43 WLA military models	124 p.	15.00
<b>L542</b>	'42-'43 WLC (Canada) military	60 p.	n.a.
<b>L506</b>	'49-'57 Twins incl. Servi-car	156 p.	n.a.
<b>L508</b>	'58-'73 Servi-car	127 p.	16.00 ☛
<b>L507A</b>	'54-'65 KH, XLH, XLCH	106 p.	18.00 ☛
<b>99451-80</b>	'79-'80 Sportster	104 p.	45.00 ☛
<b>L498</b>	'48-'55 Lightweight models	52 p.	16.00 ☛
<b>L499</b>	'56-'65 Lightweight models	62 p.	16.00 ☛
<b>L509A</b>	'58-'68 Panhead/Shovel	149 p.	15.00 ☛
<b>99455-80</b>	'71-'80 FX	233 p.	45.00 ☛
<b>99438-80</b>	1980 FLT	104 p.	45.00 ☛
<b>99438-82</b>	'80-'82 FLT	141 p.	45.00 ☛



## Service Manuals

<b>L525</b>	1928 Schebler Carburetor Manual	45 p.	16.00
<b>L543</b>	'41-'45 WLA Maintenance Manual	206 p.	16.00
This manual contains assembly, maintenance, organisational and test procedures for WLA or other 750cc models. Army #TM 9-879, use with overhaul manual <b>L544</b> .			
<b>L544</b>	'41-'45 WLA Overhaul Manual	216 p.	16.00
Best manual available for all 750cc models '41-up. Army #TM 9-1879, use with <b>L543</b> maintenance manual.			
<b>L546</b>	1942 Uncrating and Assembly	21 p.	7.50
WLA, full page photos.			
<b>L547</b>	1943 Motorcycle mechanics book	134 p.	20.00
WLA and XA. "The Armored School", Fort Knox.			
<b>L548</b>	WLC Service and operators manual	80 p.	14.00
<b>L521</b>	Service Manual '40-'47 Big Twins		15.00 ☛
<b>L522</b>	Service Manual '48-'57 Panhead		n.a.
<b>99485-84</b>	Sidecar Manual '79-'84 CLE/TLE		30.00 ☛
<b>99483-80</b>	Service Manual 1980 FLT		45.00 ☛
<b>99483-81</b>	Service Manual '80-'81 FLT		45.00 ☛
<b>99498-77</b>	Service Manual '77-'78 XLCR		85.00 ☛
<b>L536</b>	Service Manual '59-'66 Lightweights		17.00 ☛



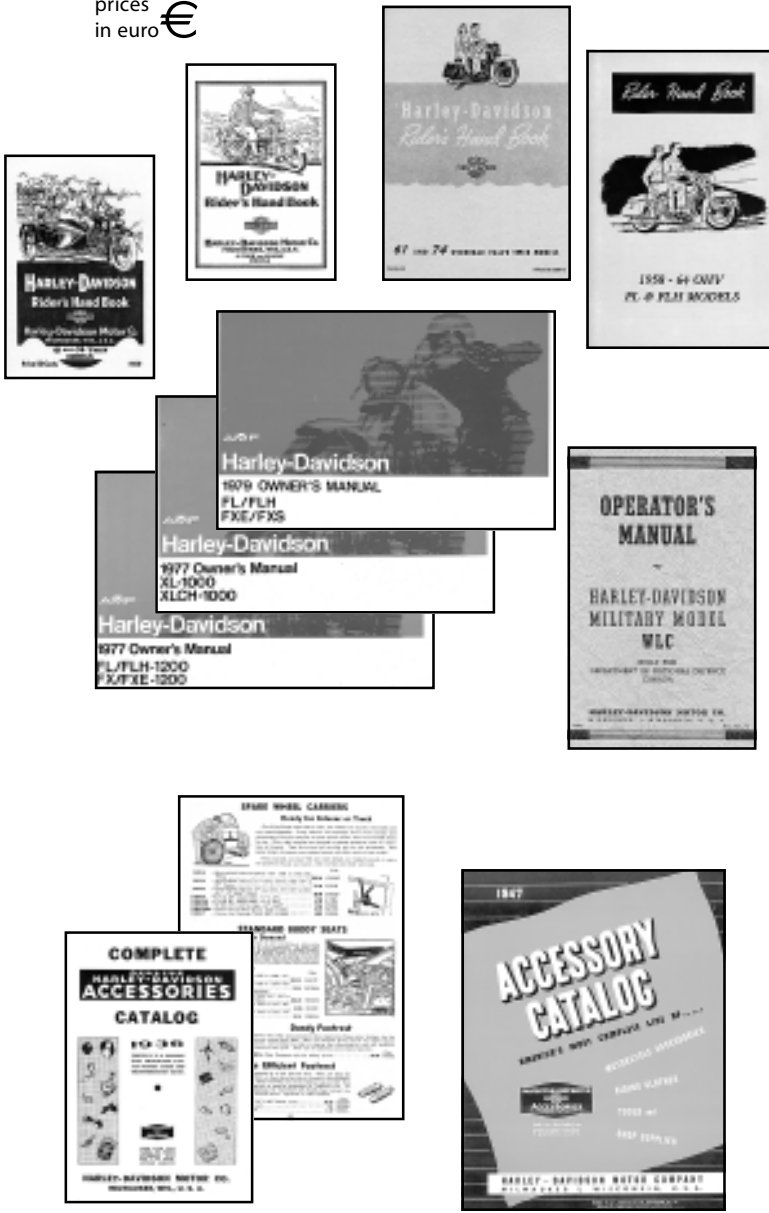
## Service Department Bulletins (Shop Dope)

Collections of bulletins the factory sent to the dealers.

<b>L530</b>	Volume I	All models	'?-29	18.00 ☛
<b>L531</b>	Volume II	All models	'30-'40	18.00 ☛
<b>L532</b>	Volume III	All models	'41-'56	18.00 ☛
<b>L533</b>	Volume IV	All models	'56-'69	27.00 ☛



prices  
in euro €



## Manuals

### Owner's Manuals / Riders Handbooks

Includes wiring diagram, lubricating instructions, adjustments, etc.

<b>L561</b>	1926	Singles	36 p.	n.a.
<b>L562</b>	1929	'20's Pocket-valves	63 p.	9.00
(includes supplement covering '15-'29 models)				
<b>L563</b>	1935	750cc (R models)	40 p.	9.00 ☉
<b>L587</b>	1936	VL models	40 p.	n.a.
<b>L545</b>	'43	WLC, also WLA and WL	36 p.	9.00
<b>L565C</b>	1950	Panhead	54 p.	11.00 ☉
<b>L565A</b>	1955	Panhead	68 p.	11.00 ☉
<b>L565B</b>	'58-'64	Panhead	60 p.	11.00 ☉
<b>99460-76</b>	1976	FL, FX	70 p.	15.00 ☉
<b>99460-77</b>	1977	FL, FX	72 p.	15.00 ☉
<b>99460-78</b>	1978	FL, FX	76 p.	15.00 ☉
<b>99460-78E</b>	1978½	FL, FX	80 p.	15.00 ☉
<b>99460-79</b>	1979	FL, FX	80 p.	15.00 ☉
<b>99466-72</b>	1972	Sportster	60 p.	20.00 ☉
<b>99466-74</b>	1974	Sportster	60 p.	17.00 ☉
<b>99466-75</b>	1975	Sportster	60 p.	15.00 ☉
<b>99466-76</b>	1976	Sportster	60 p.	15.00 ☉
<b>99466-77</b>	1977	Sportster	64 p.	15.00 ☉
<b>99468-77</b>	1977	XLCR	56 p.	20.00 ☉
<b>99466-78</b>	1978	Sportster	64 p.	15.00 ☉
<b>99465-81</b>	1981	FLT	118 p.	20.00 ☉

### Accessory Catalogs

Showing all accessories available that year, including buddy-seats, saddlebags mirrors, spotlights, wind screens, lap aprons, air cleaners, clothing, hats, badges, police accessories, tools, special workshop tools, goggles, etc, etc.

<b>L550</b>	1918-1919	94 p.	16.00
<b>L552</b>	1934	32 p.	12.00 ☉
<b>L553</b>	1936	32 p.	9.00
<b>L554</b>	1941	72 p.	15.00 ☉
<b>L555</b>	1947	69 p.	15.00
<b>L556</b>	1957	60 p.	15.00 ☉
<b>L557</b>	1960	30 p.	15.00 ☉

### "The Enthusiast"

Every year, usually late summer, the new models were announced in "The Enthusiast". Now you have an opportunity to buy the issue that announced your Harley, 1924 to 1958, barring World War II years. These Enthusiasts are also fascinating period magazines often with articles, letters and pictures from all over the world, technical hints, race reports, police department news, etc.

Quality reprints, 21½ x 14 cm., about 24 pages.

<b>L151</b>	1924 models	<b>L168</b>	1941 models
<b>L152</b>	1925 models	<b>L169</b>	1947 models
<b>L153</b>	1926 models	<b>L170</b>	1948 models
<b>L154</b>	1927 models	<b>L171</b>	not available
<b>L155</b>	1928 models	<b>L172</b>	1950 models
<b>L156</b>	1929 models	<b>L173</b>	1951 models
<b>L157</b>	1930 models	<b>L174</b>	1952 models
<b>L158</b>	1931 models	<b>L175</b>	1953 models
<b>L159</b>	1932 models	<b>L176</b>	1954 models
<b>L160</b>	1933 models	<b>L177</b>	1955 models
<b>L161</b>	1934 models	<b>L178</b>	1956 models
<b>L162</b>	1935 models	<b>L179</b>	1957 models
<b>L163</b>	not available	<b>L180</b>	not available
<b>L164</b>	1937 models		
<b>L165</b>	1938 models		
<b>L166</b>	1939 models		
<b>L167</b>	1940 models		

#### Military Editions

<b>L181</b>	October 1942
<b>L182</b>	not available



	1 copy	9.00 ☉
<b>L150</b>	6 copies	32.00 ☉
<b>L149</b>	12 copies	60.00 ☉

<b>L590</b>	1916 Sales Brochure	24 p.	n.a.
<b>L591</b>	1917 Sales Brochure	5 p.	3.00
<b>L534</b>	1950 WR/WRTT sales brochure	4 p.	7.00

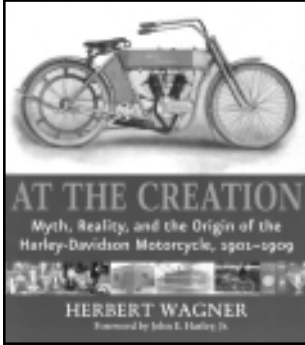
## Miscellaneous Books

### “At The Creation”

by Herbert Wagner

For good reason the origin period of the Harley-Davidson motorcycle has been called an “era of mystery”. Not only were Harley-Davidson’s origins poorly recorded, but the company’s beginnings were further obscured by later confused and contradictory claims that developed into myths. In this work, Herbert Wagner examines several long-standing puzzles and unanswered questions. This book is the definitive account of the beginnings of the only surviving American motorcycle brand.

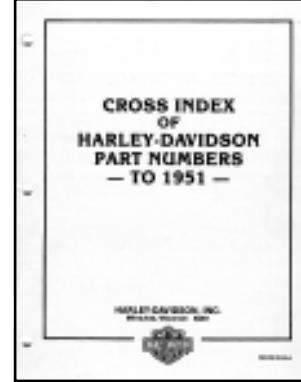
**L686** At the creation 228 pages 45.00



### “Cross Index of Harley-Davidson Part Numbers”

Parts catalogs from 1950 and earlier use the “old” part numbers, 1951 and later parts catalogs use the “new” parts numbers. This manual is a cross-index between the old and new numbers.

**L593** Cross index of H-D part numbers 53 pages 18.00

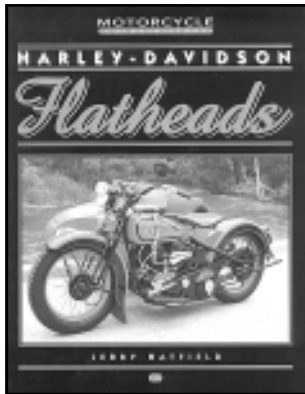


### “Harley-Davidson Flatheads”

by Jerry Hatfield

One of the most versatile motorcycles ever built, the Flathead anchors the Harley-Davidson lineage. Flathead engines powered The Motor Company’s success in the 1930s when a fourth of all workers were laid off, and were the Army’s “weapon of choice” during World War II. Author Jerry Hatfield chronicles 55 years of the type’s engineering, military service, racing adventures, and sales success. Restorers will find this book indispensable, but any H-D enthusiast will enjoy this colorful fact-filled account of The Motor Company’s jack-of-all-trades, the Flathead.

**L645** Flatheads 128 pages 26.00



### “The Big Book Of Harley-Davidson”

by Thomas C. Bolfert 1996 edition

Beautiful hard cover, full color, large size book, 10" x 12½" / 25 x 32 cm, 300 pages

Follow the trail of this American success story as it winds through history, decade by decade, influenced by wars, depressions, and severe competition from domestic and foreign sources, only to emerge in the 1990’s stronger and more popular than ever. Told in an easy narrative style, and illustrated by over a thousand colorful photos dating back to the turn of the century, the story of Harley-Davidson is fitted against a historical timeline that helps put its long past into the proper perspective of the prevailing times.

**L619** Big Book of H-D 300 pages 70.00



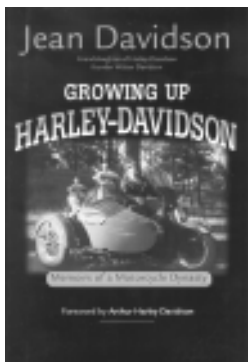
### “Growing Up Harley-Davidson”

by Jean Davidson

This memoir of the Harley-Davidson motorcycling dynasty contains rare photos from the family album, as well as the inside scoop on the behind-the-boardroom-door politics and corporate battles, adding new tales to fuel the myth behind one of the world’s great pop culture icons. All copies autographed by Jean Davidson.

**L687** Growing up H-D 270 pages hard cover 20.00

**L688** Growing up H-D limited edition paperback 25.00

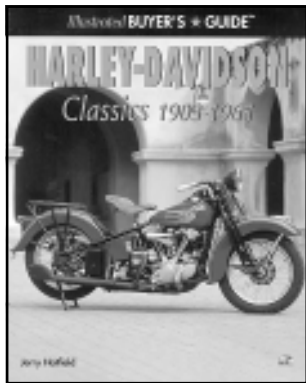


**“H-D Classics 1903-1965”**

-Illustrated Buyer’s Guide-  
by Jerry Hatfield

Harley-Davidson was synonymous with raw power and speed in the early days of motorcycling. Those tremendous machines are chronicled here, from the early singles to the Panhead Big Twins and Sportsters. Each bike is covered year by year, with ratings for collectibility, smoothness of ride, passenger accommodations, reliability, and parts and service availability. This formidable group of data is supplanted with the author’s riding impressions, which put you in the driver’s seat of dozens of collectible Harley-Davidson motorcycles. With this comprehensive book, you’ll be well-equipped to select the year and model perfect for your needs, whether it is a 1914 Twin with sidecar, 1941 WLD, 1936 Model EL Knucklehead, or 1957 Sportster.

**L639** Buyer’s Guide 1903-1965 192 pages 20.00



**“Motorcycle Memorabilia”**

by Roger Pribbenow.

Motorcycle Memorabilia is an enjoyable look at the sport of motorcycling from its beginning around 1900 to the mid-1960’s. Photographed in full color are a great variety of items illustrating the scope of memorabilia collecting and items available to the collector. From catalogs and brochures to motorcycle toys and clothing, manufacturers pins and oil containers, you’ll find it all here. Covers all American-made motorcycles.

**L647** Motorcycle Memorabilia 78 pages 18.00

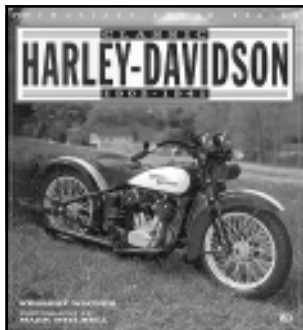


**“Classic H-D 1903-1941”**

by Herbert Wagner

Delving into the depths of Harley-Davidson history, author Herbert Wagner brings readers many new discoveries on the evolution of the Harley-Davidson Motorcycle. From the turn-of-the-century single-cylinder prototype to the 1941 74 OHV Big Twin Knucklehead, *Classic Harley-Davidson 1903-1941* captures the dream of Bill Harley and the Davidson brothers. Over 80 color photographs help illustrate this amazing story, depicting such models as: 1903 to 1905 Singles - Early V-twins, World War I military models, JDH and JH models (two-cam)- 21" and 45" OHV models - VL and VLH Flatheads - EL and FL Knuckleheads

**L644** Classic H-D 1903-1941 96 pages 18.00

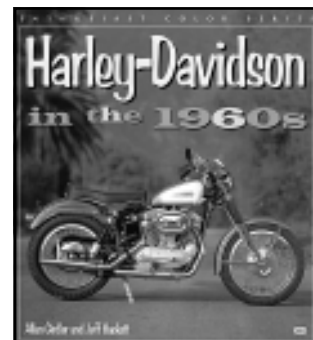


**“Harley-Davidson in the 1960s”**

by Allan Girdler & Jeff Hackett.

“Harley-Davidson in the 1960s” chronicles The Motor Company’s efforts to survive the Asian onslaught, a struggle that transforms Harley-Davidson-a family run business concern-into a division of AMF. In the process it tells the story of some of the most exciting motorcycles of all time. Covers all models; Duo-Glide, Early-Shovel, Sportster, KR-TT racer, Sprint, Topper scooter, etc.

**L655** H-D in the 1960’s 95 pages 16.50



### "The H-D Motor Co. - Archive Collection"

by Randy Leffingwell and Darwin Holmstrom  
 Since its earliest days, the Harley-Davidson Motor Co. has saved examples of nearly every motorcycle it has ever built. In over 600 studio portraits, Harley-Davidson and master photographer Randy Leffingwell present this historically significant collection of production models, racing bikes, and one-of-a-kind prototypes.

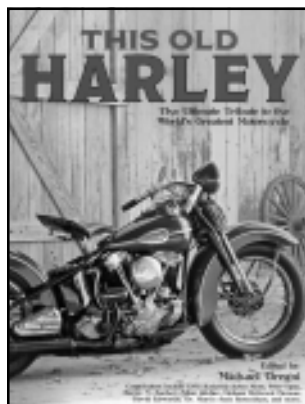
**L679** Archive Collection 408 pages 26.00



### "This Old Harley"

by Michael Dregni  
*This Old Harley* captures just what it is about Harleys that makes them so popular. This anthology is a tribute not only to this legendary piece of American automotive machinery, but also to the stories, histories, and lifestyles behind its rise as the world's most popular motorcycle.

**L673** This old Harley 160 pages 26.00



### "Harley-Davidson Family Memories"

by Jean Davidson, Jon Davidson Oeflein

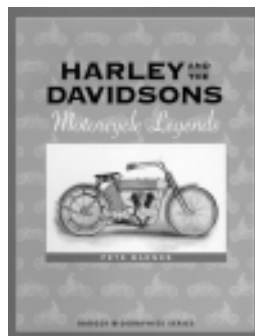
**L676** Family Memories 168 pages hard cover 33.00



### "Harley and the Davidsons"

by Pete Barnes  
 A short history of the Harley-Davidson company, written for young readers.

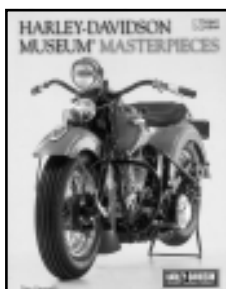
**L680** Harley and the Davidsons 106 pages 13.50



### "Museum Masterpieces"

by Dain Gingerelli  
 - 51 bikes featured  
 - over 250 color photos  
 - performance and production specs  
 - historical facts and trivia about each bike

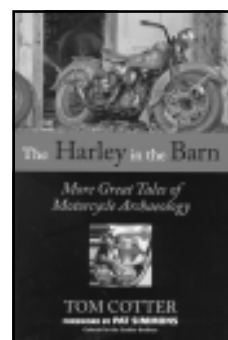
**L675** 240 pages 22.00



### "The Harley in the Barn"

by Tom Cotter  
 The Harley in the barn offers 40-plus tales of lost Nortons, hidden Harleys, dormant Indians, and busted BSA's, all squirreled away from prying eyes but found by lucky collectors just like you.

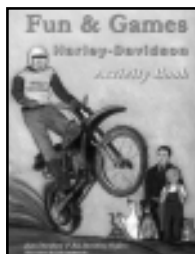
**L683** 256 pages hard cover 24.00



### "kids Books"

by Jean Davidson

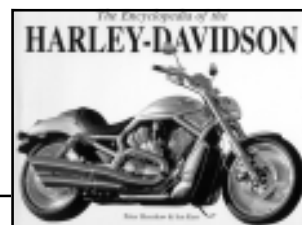
**L677** "My daddy makes the best..." (autographed) 24.00  
**L678** "Riding back in time" (autographed) 24.00  
**L684** Coloring book 7.00  
**L685** Activity book 7.00



### "The Encyclopedia of the Harley-Davidson"

by Peter Henshaw & Ian Kerr  
 The world's most famous motorcycle manufacturer is celebrated in this comprehensive guide, from its humble beginnings to the successful company it is today.

**L681** The encyclopedia of H-D 442 pages hard cover 23.00





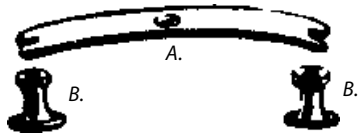
## Top Motor Mount

### Aluminum Heads

A.	<b>R2806-40MP</b>	Bracket, cylinder head	park	37.50	⊕
	<b>R2806-40M</b>	Bracket, cylinder head	cad	37.50	⊕
	<b>R2806-40MC</b>	Bracket, cylinder head	chrome	42.50	⊕
If necessary use washers between spacers and bracket (0232)					
	<b>R0232P</b>	Washer, spacer	park	0.88	⊕
	<b>0232</b>	Washer, spacer	cad	1.50	⊕
	<b>R0232</b>	Washer, spacer	cad	0.94	⊕
	<b>R0232C</b>	Washer, spacer	chrome	1.25	⊕
B.	<b>2806-40A</b>	Spacer, bracket		8.00	⊕
"	<b>R2806-40AP</b>	Spacer, bracket	park	7.50	⊕
"	<b>R2806-40A</b>	Spacer, bracket	cad	7.50	⊕
"	<b>R2806-40AC</b>	Spacer, bracket	chrome	9.06	⊕

### Iron Heads

C.	<b>R2806-32P</b>	Bracket, cylinder head	park	'32-'50	46.50	⊕
		(use with 3/8" studs)				
"	<b>R2806-51P</b>	Bracket, cylinder head	park	'51-'73	46.50	⊕
		(use with 7/16" bolts)				



## Bracket to frame hardware

### Aluminum heads and iron heads.

D.	<b>2807-30</b>	Bolt	plain head	park	5.00	⊕
"	<b>2807-3035</b>	Bolt	"1035 cp"	park	8.00	⊕
E.	<b>2641-30</b>	Nut		park	2.00	⊕
F.	<b>R0231P</b>	Washer		park	1.25	⊕
G.	<b>R0234</b>	Shim	.015"		0.72	⊕

### Upper Motor Mount Kits

<b>C3035-5</b>	Mounting kit plain head	park	11.25	⊕
<b>C9781-5</b>	Mounting kit "1035 cp"	park	11.25	⊕
<b>C9780-5</b>	Mounting kit	cad	11.25	⊕
<b>C9779-5</b>	Mounting kit	chrome	15.00	⊕



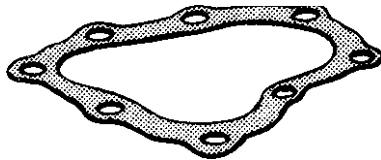
C9781-5



## Cylinder Head Gasket

Aluminum heads and '51-'73 iron heads. Will also fit '36-'50 iron heads.

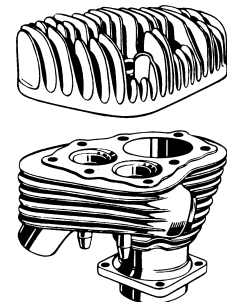
<b>11-39.2</b>	Cylinder head gaskets	(2)	4.50	⊕
<b>11-39.10</b>	Cylinder head gaskets	(10)	20.00	⊕
<b>R11-39cop</b>	Cylinder head gasket	copper	11.00	⊕



## Cylinder Heads

Aluminum cylinder heads, 6:1 compression.

<b>R9-39pair</b>	Set of cylinder heads	alu	225.00
------------------	-----------------------	-----	--------



## Spark Plugs

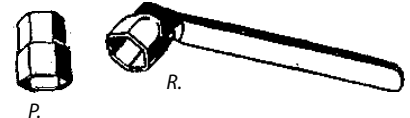
J.	<b>R37-09D14</b>	no.3	Champion	'29-'55 (18mm)	4.50
"	<b>R37-09A-7</b>	no.4	NGK	'29-'55 (18mm)	3.50
Note: No.3 heat range is for standard use.					
<b>40-08</b>	Gasket, 18mm spark plugs				1.50



## Spark Plug Tools

Note: spark plug wrenches below are for use with original '29-'55 spark plugs, wrench size 1-1/8", they do not fit NGK or other aftermarket spark plugs!

P.	<b>11805-40</b>	Socket, use with wrench 11929-39	n.a.
R.	<b>R11929-40</b>	Spark plug wrench (original socket with handle welded on)	n.a.



## Heli-Coil® thread repair

To repair stripped spark plug hole threads

<b>H5523-18</b>	Thread repair kit 18mm-1.50 thread	n.a.
Kit includes piloted tap, installation tool and 24 inserts.		
<b>HR514-6</b>	Set inserts only (6) 18mm	24.00

<b>H5523-14</b>	Thread repair kit 14mm-1.25 thread	165.00
Note: 14mm thread spark plugs are used on '56-up Servi-cars.		
Kit includes piloted tap, installation tool and 30 inserts.		
<b>HR512</b>	Set inserts only (6) 14mm	17.50



## Upper Engine Parts

### Head Bolts, Aluminum Heads

Available original or Colony



#### Low compression heads, marked 5

<b>14-40M</b>	Bolt, short	park	9.00	⊕
<b>R14-40MP</b>	Bolt, short	park	6.25	⊕
<b>R14-40M</b>	Bolt, short	cad	6.25	⊕
<b>R14-40MC</b>	Bolt, short	chrome	7.50	⊕
<b>14-40MA</b>	Bolt, long	park	10.00	⊕
<b>R14-40MAP</b>	Bolt, long	park	6.88	⊕
<b>R14-40MA</b>	Bolt, long	cad	7.50	⊕
<b>R14-40MAC</b>	Bolt, long	chrome	8.13	⊕

#### Head Bolt Kits (low compression heads)

Headbolt kits (14 short bolts and 2 long bolts, no washers)

<b>14-40M-Kit</b>	Head bolt kit NOS	park	128.50	⊕
<b>C9705-18-45</b>	Head bolt kit	park	103.75	⊕
<b>C7711-18-45</b>	Head bolt kit	cad	102.50	⊕
<b>C8217-18-45</b>	Head bolt kit	chrome	123.75	⊕

#### High compression heads, marked 6. Including WLDR, WR.

<b>R14-40AP</b>	Bolt, short	park	7.50	⊕
<b>R14-40A</b>	Bolt, short	cad	7.50	⊕

(use 14-40MA bolt, long from above for the two spacers)

<b>C2435-16</b>	Head bolt kit	park	123.75	⊕
<b>C3536-16</b>	Head bolt kit	cad	123.75	⊕

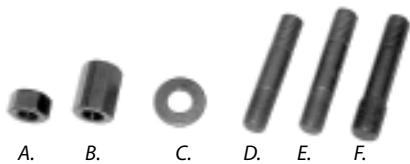
### Iron heads, '37-'50

A set for one motor is 4 of **0120** regular nuts and 12 of **15-37** tall nuts.  
(use the 0120 nuts on the 4 studs left side of the motor).

A.	<b>R0120P</b>	Nut, head stud	park	1.44	⊕
"	<b>R0120</b>	Nut, head stud	cad	1.50	⊕
"	<b>R0120C</b>	Nut, head stud	chrome	1.69	⊕
B.	<b>R15-37P</b>	Nut, long	park	2.81	⊕
"	<b>R15-37</b>	Nut, long	cad	2.94	⊕
"	<b>R15-37C</b>	Nut, long	chrome	3.44	⊕
C.	<b>R0224AP</b>	Washer, stud nut	park	0.63	⊕
D.	<b>R14-29</b>	Stud, cylinder head	2"	5.63	⊕
E.	<b>R14-26</b>	Stud, for mounting bracket	2-1/8"	7.50	⊕
F.	<b>R14-26S</b>	Stud, cylinder head, oversize		6.88	⊕

(oversize stud is 7/16"-24 thread and 2-1/8" long)

<b>M1436T</b>	Tap 3/8"-24, head stud in cylinder	n.a.
<b>tap160-012</b>	Tap 7/16"-24, oversize stud	n.a.



### Heli-Coil® thread repair



Special 7/16"-16 thread for cylinder repair.

Heli-Coil thread repair kit comes complete with 6 inserts, tap, installation tool and instructions. Order drill separately.

<b>H5540-7</b>	Heli-Coil repair kit	7/16"-16	n.a.	⊕
<b>HR389-7-2</b>	Set inserts only (6)		24.00	⊕
<b>M6129D</b>	Drill 29/64", use with kit		n.a.	⊕

### Cylinder Head Mounting

Notes :

- Aluminum heads use bolts (7/16"-16) with thick washers.
- Because high compression heads are lower than low compression heads, they require shorter bolts. (aluminum heads)
- If your aluminum heads have been milled you may also need shorter bolts or extra washers (0232), always check length before fastening bolts.
- Some WLA/WLC models have an extra washer 0232 under each head bolt. (see TM9-879 page 74)
- '29-'50 iron heads use studs and nuts (3/8").
- '51-'73 iron heads use bolts (7/16").

### Head Bolt Washers, aluminum heads

<b>15-39</b>	Washer, thick	park	2.50	⊕
<b>R15-39P</b>	Washer, thick	park	2.19	⊕
<b>R15-39</b>	Washer, thick	cad	2.31	⊕
<b>R15-39C</b>	Washer, thick	chrome	3.44	⊕



Following washer is used with long bolts above bracket and with all bolts when necessary (when bolts are too long).

<b>R0232P</b>	Washer	park	0.88	⊕
<b>0232</b>	Washer	cad	1.50	⊕
<b>R0232</b>	Washer	cad	0.94	⊕
<b>0232C</b>	Washer	chrome	1.60	⊕
<b>R0232C</b>	Washer	chrome	1.25	⊕

### Headbolt washer kits

Includes 14 thick washers 15-39 and 2 standard washers 0232.

<b>15-39Kit</b>	Washer kit NOS	park	29.00	⊕
<b>R15-39PKit</b>	Washer kit	park	29.00	⊕
<b>R15-39Kit</b>	Washer kit	cad	30.00	⊕
<b>R15-39CKit</b>	Washer kit	chrome	45.00	⊕
<b>C2432-18</b>	Set of 18 tapered washers	park	51.88	⊕
<b>C3285-18</b>	Set of 18 tapered washers	cad	51.88	⊕

### Iron Heads, '51-'73

<b>14-51</b>	Bolt, short	cad	9.00	⊕
<b>R14-51</b>	Bolt, short	cad	6.88	⊕
<b>R14-51C</b>	Bolt, short	chrome	8.13	⊕
<b>16813-65</b>	Bolt, alternator '65-'73	zinc	10.00	⊕
<b>R16813-65</b>	Bolt, alternator '65-'73	cad	9.38	⊕
<b>R16813-65C</b>	Bolt, alternator '65-'73	chrome	10.00	⊕
<b>R14-40A</b>	Bolt, long	cad	7.50	⊕
<b>R14-40AC</b>	Bolt, long	chrome	8.13	⊕

### Head Bolt Kits

Include 14 short bolts and 2 long bolts, no washers.

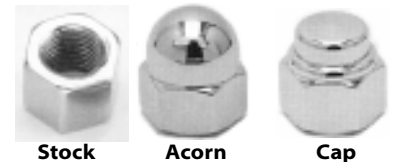
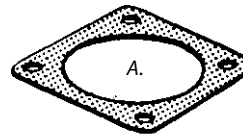
<b>C9889-16</b>	Bolt kit	cad	101.25	⊕
<b>C9888-16</b>	Bolt kit	chrome	123.75	⊕

### Washers

<b>0232</b>	Washer	cad	1.50	⊕
<b>R0232</b>	Washer	cad	0.94	⊕
<b>R0232C</b>	Washer	chrome	1.25	⊕

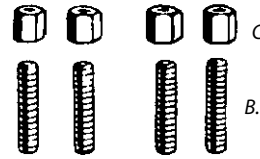
### Cylinder Base

A.	<b>46-29</b>	Gasket, cylinder base		2.50 ☼
"	<b>R46-29</b>	Gasket, cylinder base		2.50 ☼
B.	<b>29-29</b>	Stud, cylinder base	black	8.00 ☼



### Cylinder Base Nuts

C.	<b>R0123P</b>	Stock nut	park	1.50 ☼
"	<b>R0123</b>	Stock nut	cad	1.69 ☼
"	<b>R0123C</b>	Stock nut	chrome	2.81 ☼



### Cylinder Base Nut Kits

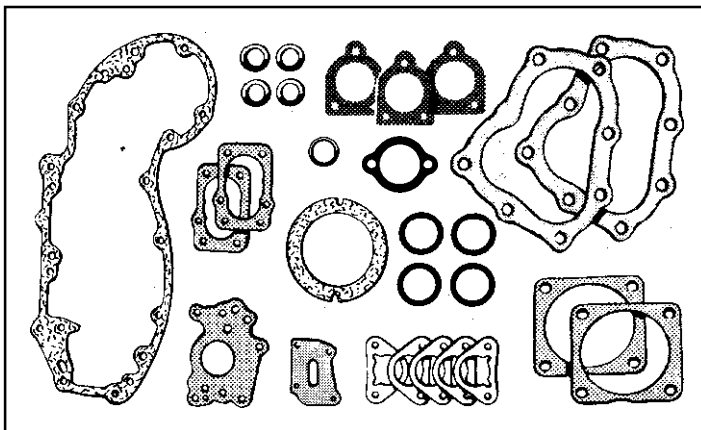
<b>C9624-16</b>	Set nuts (8)	park	15.00 ☼
<b>C8107-16</b>	Set nuts (8)	cad	15.00 ☼
<b>C8106-16</b>	Set nuts (8)	chrome	22.50 ☼
<b>C7018-16</b>	Set acorn nuts (8)	chrome	23.75 ☼
<b>C8438-16</b>	Set cap nuts (8)	chrome	23.75 ☼

### Engine Gasket Sets

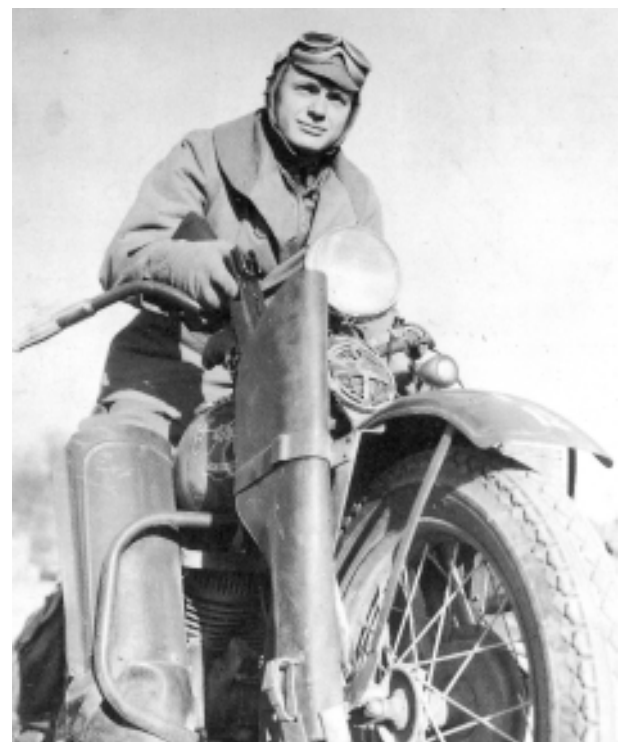
'37-'58 with aluminum heads & '51-'58 iron heads.

D.	<b>53-40</b>	Complete		29.50 ☼
"	<b>53-40Cop</b>	Complete, copper head gaskets		44.50 ☼
"	<b>R53-40ja</b>	Complete, copper head gaskets (James)		79.00 ☼

Note: Gasket sets include paper gaskets which have to be soaked in water ±15 min. for a perfect fit.



D.



### Factory Compression Ratios, '37-'73

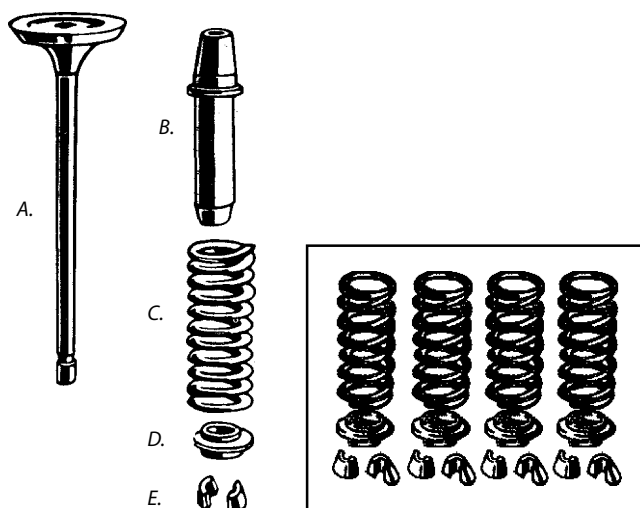
'37-'40 W, G	4.3 : 1	(iron heads marked 6.8)
'37-'40 WL	5 : 1	(iron heads marked 5.5)
'37-'39 WLD	6 : 1	(iron heads marked 4.5)
'41-'73 WL, G	4.75 : 1	(iron heads marked 6.0)
'40-'52 WLA/WLC	5 : 1	(aluminum heads marked 5)
'39 WLDD, '40-'46 WLD	6 : 1	(aluminum heads marked 6)

#5 aluminum heads optional on '45-'46 WL  
#6 aluminum heads optional on '47-'52 WL

## Upper Engine Parts

### Valves and Parts

A.	<b>R163-32</b>	Valve, inlet	'32-'73	16.00
"	<b>R163-32os</b>	Valve, inlet 1/8" oversize	'32-'73	18.00
"	<b>165-32</b>	Valve, exhaust	'32-'73	22.00 ✪
"	<b>R165-32</b>	Valve, exhaust	'32-'73	17.00
"	<b>R165-32os</b>	Valve, exhaust 1/8" oversize	'32-'73	19.00
B.	<b>R166-41</b>	Valve guide '41-'73 Std. O.D.	0.565"	21.50 ✪
"	<b>R166-41.1</b>	Oversize	+0.001"	26.00 ✪
"	<b>R166-41.2</b>	Oversize	+0.002"	26.50 ✪
BC.	<b>R18165-41</b>	Spacer for using late guides on '32-'40 (or when using '32-'40 springs with '41-up guides, WR style)		4.00 ✪
C.	<b>168-32</b>	Valve spring	'32-'40	10.00 ✪
"	<b>R168-32</b>	Valve spring	'32-'40	6.00 ✪
"	<b>168-41</b>	Valve spring	'41-'73	5.00 ✪
D.	<b>170-30</b>	Collar, valve spring	'32-'73	4.00 ✪
E.	<b>172-30</b>	Keys, valve collar (2)	'32-'73	2.50 ✪
"	<b>172-30.10pack</b>	Keys, valve collar (20)		18.00 ✪



15-0013

### Valve spring kit

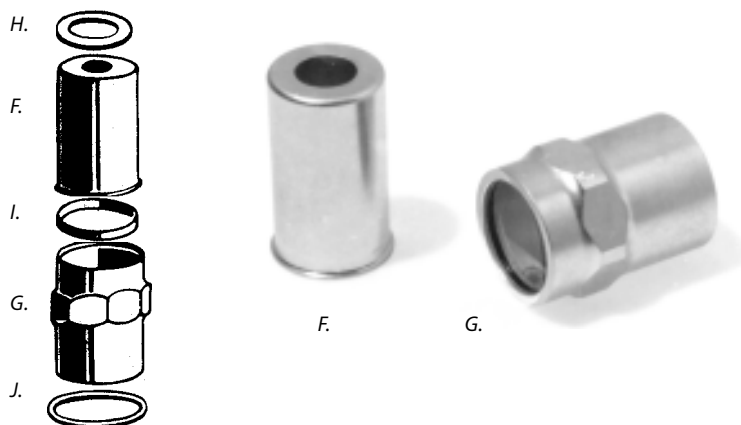
<b>15-0010</b>	Springs, collars and keepers	'32-'40	45.00 ✪
<b>15-0013</b>	Springs, collars and keepers	'41-'73	41.40 ✪

### Valve Spring Covers

F.	<b>173-41</b>	Upper cover	'41-'73	plain	11.00 ✪
"	<b>R173-41P</b>	Upper cover	'41-'73	park	14.00 ✪
"	<b>R173-41Z</b>	Upper cover	'41-'73	zinc	11.50 ✪
"	<b>R173-41C</b>	Upper cover	'41-'73	chrome	16.50 ✪
G.	<b>R174-31P</b>	Lower cover	'31-'73	park	17.00 ✪
"	<b>R174-31Z</b>	Lower cover	'31-'73	zinc	12.50 ✪
"	<b>R174-31C</b>	Lower cover	'31-'73	chrome	20.00 ✪

Note : Lower covers are late style covers with O-ring to replace rubber band, for improved sealing and to eliminate problems with stuck covers when adjusting tappets. O-rings are included.

H.	<b>167-38</b>	Gasket, upper	'38-'73	0.75 ✪	
"	<b>R167-38</b>	Gasket, upper	'38-'73	0.65 ✪	
I.	<b>R175-29</b>	Rubber packing	.035"	'29-'68	3.00 ✪
"	<b>R175-29S</b>	Rubber packing	.055"	'29-'68	0.85
"	<b>R11123</b>	O-ring	'69-'73	1.00	
J.	<b>176-26</b>	Gasket, lower	'29-'73	1.00 ✪	



### Valve Spring Cover Kit '31-'40

Correct lower covers with eight flats, and short upper covers.

<b>C2642-20</b>	Set valve spring covers	cad	118.75 ✪
<b>C3273-20</b>	Set valve spring covers	chrome	150.00 ✪

### Valve Spring Cover Kits '41-'73

Complete set includes 8 covers, including our O-ring type lower covers for improved sealing, O-rings are included.

K.	<b>R173-31Abare</b>	Set valve spring covers	bare	85.00 ✪
"	<b>R173-31Apark</b>	Set valve spring covers	park	112.50 ✪
"	<b>R173-31Azinc</b>	Set valve spring covers	zinc	85.00 ✪
"	<b>R173-31Acad</b>	Set valve spring covers	cad	115.00 ✪
"	<b>R173-31Achr</b>	Set valve spring covers	chrome	137.50 ✪



### Valve guide drivers

use for removal and installation of valve guides in cylinder

- 11/32" driver fits all 750cc models '32-'73

- Set also includes drivers for Big Twins and Sportsters.

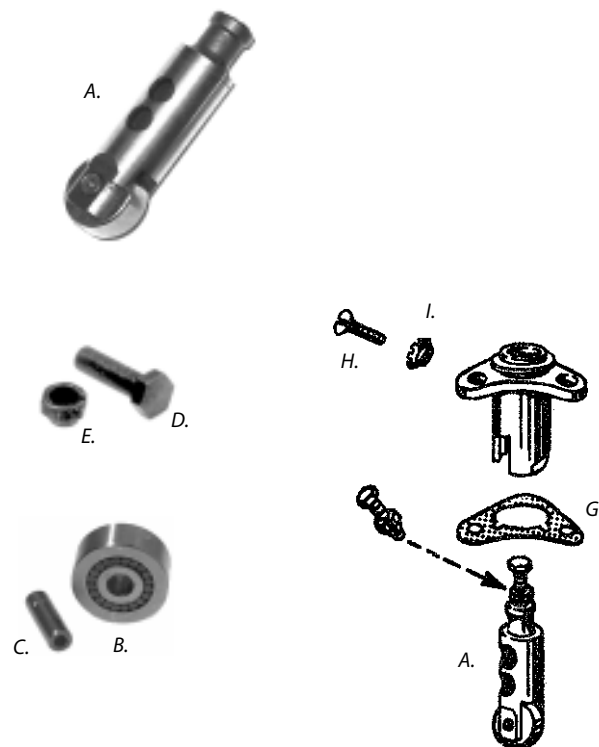
<b>R1001-2</b>	Driver	.338"	(11/32")	35.00 ✪
<b>R1001</b>	Set of three sizes			65.00 ✪



**Tappets**

Tappets with "lightning" holes, without screw/nut '29-'73.

<b>JIMS</b>	A.	<b>R200-29jims</b>	Tappet	Std. O.D.	0.730"	85.00 ☺
	"	<b>R200-29.005jims</b>		Oversize	+0.005"	n.a. ☺
	B.	<b>R208-29</b>	Tappet roller kit, with pin			10.00 ☺
"	"	<b>R208-29set</b>	Set tappet roller kits (4)			34.00 ☺
	C.	<b>R214-29</b>	Pin, tappet roller			0.60 ☺
	D.	<b>R221-40</b>	Tappet screw	9/32"-32		6.88 ☺
<b>JIMS</b>	"	<b>R221-40.4pack</b>	Tappet screws	9/32"-32		25.00 ☺
	"	<b>R221-40A</b>	Tappet screw & nut			9.06 ☺
	E.	<b>223-38</b>	Nut, tappet screw	9/32"-32		3.50 ☺
"	"	<b>R223-38</b>	Nut, tappet screw	9/32"-32		1.50 ☺
<b>JIMS</b>	"	<b>R223-38.4pack</b>	Nuts, tappet screw	9/32"-32		8.00 ☺
	G.	<b>237-30</b>	Gasket, tappet guide			1.00 ☺



**Tappet Guide Screws**

1/4"-24 thread

H.	<b>R057P</b>	Screw, slotted head	park	1.56 ☺
"	<b>R057</b>	Screw, slotted head	cad	1.56 ☺
"	<b>R057C</b>	Screw, slotted head	chrome	2.19 ☺
I.	<b>R0365P</b>	Lockwasher	park	0.38 ☺
"	<b>R0365</b>	Lockwasher	zinc	0.25 ☺

**Heli-Coil® thread repair**

Thread repair kit includes 12 inserts, tap and installation tool.  
(order drill separately)

<b>H5540-4</b>	Heli-coil thread repair kit	1/4"-24	125.00 ☺
<b>HR389-4</b>	Set Heli-coil inserts only (12)		25.00 ☺
<b>M6117D</b>	Drill 17/64", use with kit		n.a. ☺



<b>M1421T</b>	Tap 1/4"-24 for tappet guide screws	7.00 ☺
---------------	-------------------------------------	--------

**Tappet Guide Screw Kits**

One kit includes 8 screws 1/4"-24 thread

<b>C9622-16</b>	Kit, slotted head screws	park	14.38 ☺
<b>C8103-16</b>	Kit, slotted head screws	cad	15.00 ☺
<b>C8102-16</b>	Kit, slotted head screws	chrome	18.75 ☺
<b>C7131-8</b>	Kit, acorn head screws	chrome	30.00 ☺
<b>C8447-8</b>	Kit, cap head screws	chrome	30.63 ☺
<b>C8760-16</b>	Kit, Allen head screws	chrome	19.38 ☺
<b>C2100-16</b>	Kit, Phillips head screws	cad	16.56 ☺
<b>C2099-16</b>	Kit, Phillips head screws	chrome	19.38 ☺

(Phillips head screws were used on most '50-up models)

<b>C9816-16</b>	Kit, slotted head 1/4"-20	park	14.38 ☺
<b>C9815-16</b>	Kit, slotted head 1/4"-20	cad	14.38 ☺
<b>C9814-16</b>	Kit, slotted head 1/4"-20	chrome	16.25 ☺
<b>C9828-16</b>	Kit, Allen head 1/4"-20	chrome	19.38 ☺

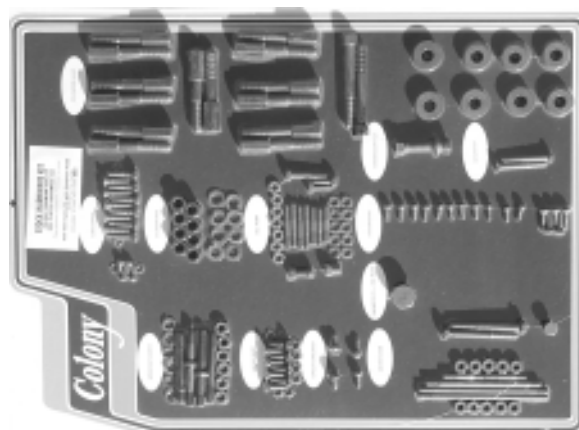


**Complete Stock Hardware Kits**

Each kit contains all the stock engine and transmission bolts, washers, nuts, screws etc. in choice of cad plating, chrome plating or parkerized. Kits include head bolts, washers, cylinder base nuts, tappet guide screws, oil pump mounting nuts and bolts, gear cover screws, timing plug, drain plug, crankcase studs and nuts, generator screws, transmission cover screws, filler plug, sprocket cover studs and nuts.

Available in 3 different finishes ; parkerized, cadmium or chrome plated.

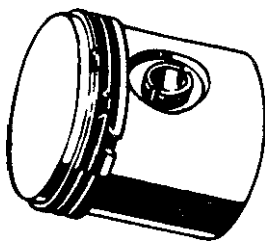
<b>C8309PARK</b>	'37-'73 with aluminum heads	park	331.25 ☺
<b>C8309CAD</b>	'37-'73 with aluminum heads	cad	337.50 ☺
<b>C8309CHR</b>	'37-'73 with aluminum heads	chrome	393.75 ☺



## Upper Engine Parts

### Pistons '29-'73 - Early Style

Pistons are sold each, and include :  
- 3/32" compression rings and 1/8" oil ring  
- Piston pin and split ring type locks  
(280-32, use tool R96780-32A)



#### Genuine Pistons

Original H-D pistons have closed oil control rings (channeled).

<b>253-29A</b>	Piston	Std.	2.743"	69,67 mm	35.00	✪
<b>253-29C</b>	Piston	O.S.	+0.005"	69,79 mm	37.00	✪
<b>253-29D</b>	Piston	O.S.	+0.010"	69,92 mm	40.00	✪
<b>253-29E</b>	Piston	O.S.	+0.020"	70,18 mm	45.00	✪

#### Reproduction Pistons

Reproduction pistons have open oil control rings (slotted).

<b>R253-29A</b>	Piston	Std.	2.743"	69,67 mm	55.00	
<b>R253-29D</b>	Piston	O.S.	+0.010"	69,92 mm	55.00	
<b>R253-29E</b>	Piston	O.S.	+0.020"	70,18 mm	55.00	
<b>R253-29F</b>	Piston	O.S.	+0.030"	70,43 mm	55.00	
<b>R253-29G</b>	Piston	O.S.	+0.040"	70,72 mm	55.00	
<b>R253-29H</b>	Piston	O.S.	+0.050"	70,97 mm	55.00	
<b>R253-29JA</b>	Piston	O.S.	+0.060"	71,22 mm	55.00	
<b>R253-29KA</b>	Piston	O.S.	+0.070"	71,47 mm	65.00	
<b>R253-29MA</b>	Piston	O.S.	+0.080"	71,72 mm	55.00	

### Late Style Pistons

Following pistons use 1/16" compression rings and 3/16" oil rings.  
(as used on Servi-car '56-'73). Pistons are sold without rings.

<b>R22251-29B</b>	Piston only	2.743"	69,67 mm	n.a.	
<b>R22253-29B</b>	Piston only	+0.010"	69,92 mm	32.00	
<b>R22254-29B</b>	Piston only	+0.020"	70,18 mm	32.00	
<b>R22255-29B</b>	Piston only	+0.030"	70,43 mm	35.00	
<b>R22256-29B</b>	Piston only	+0.040"	70,72 mm	39.00	
<b>R22257-29B</b>	Piston only	+0.050"	70,97 mm	n.a.	
<b>R22258-29B</b>	Piston only	+0.060"	71,22 mm	55.00	
<b>R22259-29B</b>	Piston only	+0.070"	71,47 mm	55.00	

### Piston Parts

A.	<b>275-32</b>	Piston pin	Standard	0.7915"	'32-'55	n.a.	✪
"	<b>275-32C</b>	Piston pin	Oversize	+0.002"	'32-'55	4.00	✪
"	<b>275-32D</b>	Piston pin	Oversize	+0.004"	'32-'55	4.00	✪
"	<b>275-32E</b>	Piston pin	Oversize	+0.006"	'32-'55	4.00	✪
"	<b>275-32F</b>	Piston pin	Oversize	+0.008"	'32-'55	4.00	✪
B.	<b>280-32</b>	Lock ring, piston pin			'32-'55	5.00	✪
"	<b>R280-32</b>	Lock ring, piston pin			'32-'55	2.50	
	<b>R22582-52</b>	Lock ring, piston pin			'56-'73	0.80	
C.	<b>293-36</b>	Bushing	Std. O.D.	0.896"		8.00	✪
"	<b>R293-36</b>	Bushing	Std. O.D.	0.896"		4.50	
"	<b>R293-36A</b>	Bushing	Oversize	+0.010"		4.00	
"	<b>R293-36Ajims</b>	Bushing	Oversize	+0.010"		13.50	✪

### Piston Tools

D.	<b>R96780-32A</b>	Piston pin lock ring tool	'32-'55	74.50	✪
	<b>R96780-58A</b>	Piston pin lock ring tool	'56-'73	190.00	✪
		(for piston pin I.D. 0.515")			
	<b>R96781-72</b>	Piston pin lock ring tool	'56-'73	190.00	✪
		(for piston pin I.D. 0.535")			
E.	<b>R95970-32C</b>	Piston pin bushing tool		185.00	✪
		Use to replace bushings without removing rods from crankcase.			
F.	<b>R1235</b>	Piston ring expander tool		38.50	
		Remove and install rings without fear of breakage.			
		Smooth gripping edges firmly hold rings to eliminate possible ring damage. Expands rings gently to install in grooves.			

### Piston Ring Sets - Early style

Piston ring sets include rings for 2 pistons (6 rings)  
- 3/32" compression rings and 1/8" oil rings

#### Genuine ring sets with closed (channeled) oil rings:

<b>261-38</b>	Ring set	Standard		10.00	✪
<b>261-38A</b>	Ring set	Oversize	+0.005"	10.00	✪
<b>261-38B</b>	Ring set	Oversize	+0.010"	10.00	✪
<b>261-38C</b>	Ring set	Oversize	+0.020"	10.00	✪
<b>261-38D</b>	Ring set	Oversize	+0.030"	10.00	✪
<b>261-38E</b>	Ring set	Oversize	+0.040"	10.00	✪

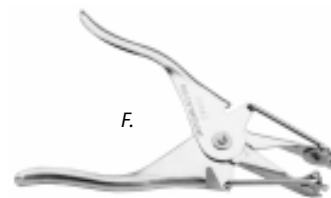
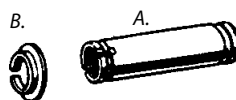
#### Ring sets with open (slotted) oil rings:

<b>R261-55</b>	Ring set	Standard		38.50	
<b>R261-55-H</b>	Ring set, Hastings	Standard		38.50	✪
<b>R261-55B</b>	Ring set	Oversize	+0.010"	38.50	
<b>R261-55B-H</b>	Ring set, Hastings	+0.010"		38.50	✪
<b>R261-55C</b>	Ring set	Oversize	+0.020"	38.50	
<b>R261-55C-H</b>	Ring set, Hastings	+0.020"		38.50	✪
<b>R261-55D</b>	Ring set	Oversize	+0.030"	38.50	
<b>R261-55D-H</b>	Ring set, Hastings	+0.030"		38.50	✪
<b>R261-55E</b>	Ring set	Oversize	+0.040"	38.50	
<b>R261-55F</b>	Ring set	Oversize	+0.050"	38.50	
<b>R261-55G</b>	Ring set	Oversize	+0.060"	38.50	
<b>R261-55H</b>	Ring set	Oversize	+0.070"	38.50	
<b>R261-55JA</b>	Ring set	Oversize	+0.080"	38.50	
<b>R261-55JA-H</b>	Ring set, Hastings	+0.080"		38.50	✪
<b>R261-55KA</b>	Ring set	Oversize	+0.090"	38.50	
<b>R261-55KA-H</b>	Ring set, Hastings	+0.090"		38.50	✪

### Genuine Piston and Ring Sets (late style)

Following piston and rings have 1/16" compression rings and 3/16" oil rings. (as used on Servi-car '56-'73). Ring sets are for one piston.

<b>22253-29C</b>	Piston	Oversize	+0.010"	90.00	✪
<b>22254-29B</b>	Piston	Oversize	+0.020"	90.00	✪
<b>22255-29B</b>	Piston	Oversize	+0.030"	90.00	✪
<b>22256-29B</b>	Piston	Oversize	+0.040"	100.00	✪
<b>22283-77</b>	Piston only, without pin	+0.060"		45.00	✪
<b>22259-29B</b>	Piston	Oversize	+0.070"	125.00	✪
<b>22355-52B</b>	Ring set	Standard		22.00	✪
<b>R22355-52B</b>	Ring sets (2 pistons)	Standard		25.00	
<b>22357-52B</b>	Ring set	+0.010"		25.00	✪
<b>R22357-52B</b>	Ring sets (2 pistons)	+0.010"		25.00	
<b>22358-52B</b>	Ring set	+0.020"		25.00	✪
<b>22359-52B</b>	Ring set	+0.030"		25.00	✪
<b>22360-52B</b>	Ring set	+0.040"		25.00	✪
<b>R22360-52B</b>	Ring sets (2 pistons)	+0.040"		25.00	
<b>22363-52B</b>	Ring set	+0.070"		32.00	✪
<b>R22363-52B</b>	Ring sets (2 pistons)	+0.070"		25.00	



JIMS

D.

E.

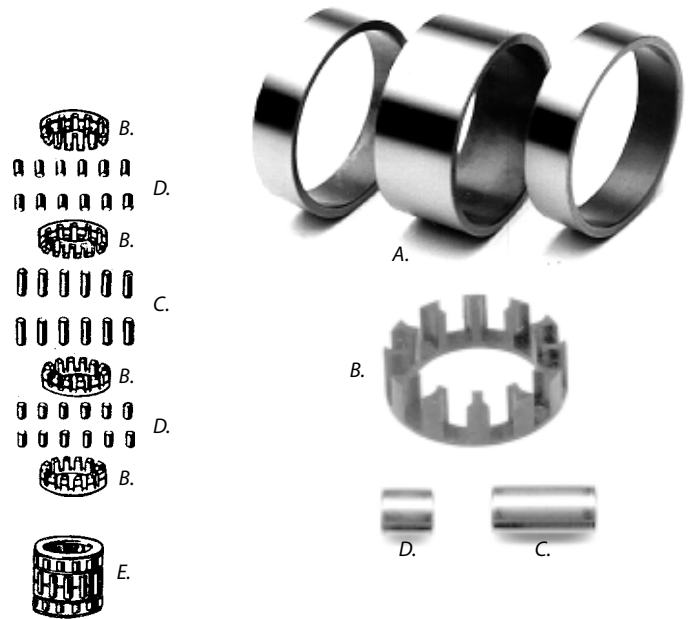
**Connecting Rods**

<b>R289-32A</b>	Set connecting rods '32-'73	275.00
	Complete with bearing and genuine crank pin. Japan made rods.	
<b>R289-32A.jims</b>	Set connecting rods '32-'73	300.00
	Complete with bearing and <b>JIMS</b> crank pin. Japan made rods.	
<b>R289-32C</b>	Set of connecting rods only	85.00
	Does not have lower races and upper bushings. Japan made.	
<b>R289-32Ai</b>	Set of connecting rods only	35.00
	With finished bushings, without bearing/pin. India made.	



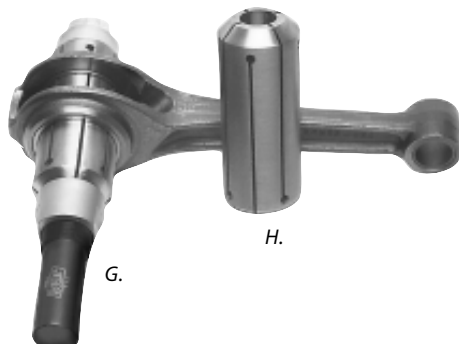
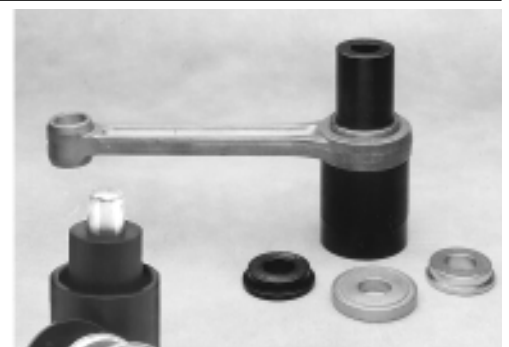
**Connecting Rod Bearing '29-'73**

A. <b>CRR-750</b>	Set connecting rod races (3)		21.00 ☼
B. <b>301-29</b>	Retainer, crank pin roller		8.00 ☼
C. <b>R305-29</b>	Roller, standard	0.2498" x .550"	n.a.
" <b>305-29D</b>	Roller, oversize	+ .0002"	1.00 ☼
" <b>R305-29F</b>	Roller, oversize	+ .0004"	n.a.
" <b>R305-29H</b>	Roller, oversize	+ .0006"	0.60 ☼
" <b>R305-29KA</b>	Roller, oversize	+ .0008"	0.60 ☼
" <b>R305-29MA</b>	Roller, oversize	+ .0010"	0.60 ☼
<b>Check website for 100-packs</b>			
D. <b>R2289-17</b>	Roller, standard	0.2498" x .270"	n.a. ☼
" <b>2289-17D</b>	Roller, oversize	+ .0002"	1.00 ☼
" <b>R2289-17D</b>	Roller, oversize	+ .0002"	0.50 ☼
" <b>R2289-17F</b>	Roller, oversize	+ .0004"	0.50 ☼
" <b>R2289-17H</b>	Roller, oversize	+ .0006"	0.50 ☼
" <b>R2289-17KA</b>	Roller, oversize	+ .0008"	0.50 ☼
" <b>R2289-17MA</b>	Roller, oversize	+ .0010"	0.50 ☼
<b>Check website for 100-packs</b>			
E. <b>R309-29</b>	Bearing, complete	Standard	n.a.
" <b>309-29D</b>	Bearing, complete	+ .0002"	50.00 ☼
" <b>R309-29F</b>	Bearing, complete	+ .0004"	n.a.
" <b>R309-29H</b>	Bearing, complete	+ .0006"	50.00 ☼
" <b>R309-29KA</b>	Bearing, complete	+ .0008"	50.00 ☼
" <b>R309-29MA</b>	Bearing, complete	+ .0010"	50.00 ☼

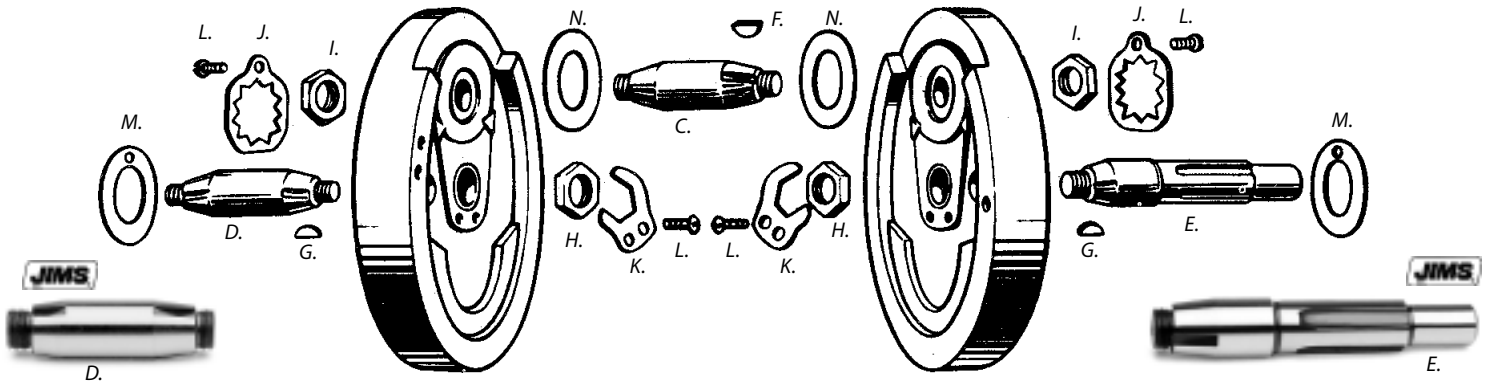


**Rod Bearing Tools**

F. <b>R1003</b>	Rod race removal & installation tool		285.00 ☼
	Complete kit, includes collars for use on all Big Twin, 750cc and Sportster connecting rods.		
G. <b>R11944-X</b>	Rod lapping arbor	1-1/2"	357.50 ☼
<b>R96740-36</b>	Rod lapping arbor set	1-1/2" & 1-5/8"	537.50 ☼
H. <b>R96740-36-4</b>	Replacement lap head	1-1/2"	180.00 ☼
<b>R96740-36-5</b>	Replacement lap head	1-5/8"	180.00 ☼



## Lower Engine Parts



### Crankshaft Parts

C.	<b>348-37</b>	Crank pin (H-D)	0.998"	'37-'73	70.00 ☼
	<b>R348-29</b>	Crank pin (jims)	0.998"	'29-'73	112.50 ☼
	<b>R23960-39R</b>	Crank pin WLDR, WR, KR		'39-'54	125.00 ☼
	<b>R23967-48</b>	Nut for WR crank pin		'39-'54	13.50
D.	<b>R352-29</b>	Sprocket shaft (jims)	0.875"	'29-'73	110.00 ☼
E.	<b>R355-37</b>	Gear shaft (jims)	0.875"	'37-'73	175.00 ☼
F.	<b>1650-18</b>	Key, crank pin			2.00 ☼
	<b>R1650-18</b>	Key, crank pin			0.40
G.	<b>R361-12</b>	Key, sprocket & gear shaft			2.75
H.	<b>364-29</b>	Nut, sprocket & gear shaft	5/8" -18		8.00 ☼
	<b>R364-29</b>	Nut, sprocket & gear shaft	5/8" -18		6.50 ☼
I.	<b>364-37</b>	Nut, crank pin	11/16" -18		4.00 ☼
J.	<b>368-12</b>	Lockwasher, crank pin nut			2.50 ☼
	<b>R368-12</b>	Lockwasher, crank pin nut			1.60 ☼
K.	<b>368-29</b>	Lockwasher, shaft nut			2.00 ☼
	<b>R368-29</b>	Lockwasher, shaft nut			0.80
	<b>R368-29.10pack</b>	10 lockwashers			5.00
L.	<b>R030Z</b>	Screw, lockwashers			0.30

### Flywheel thrust collars

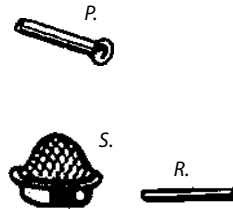
To adjust flywheel end play

M.	<b>R357-26B</b>	Thrust collar	.066" (1,67 mm)	5.50 ☼
"	<b>R357-26C</b>	Thrust collar	.070" (1,77 mm)	5.50 ☼
"	<b>R357-26D</b>	Thrust collar	.074" (1,87 mm)	5.50 ☼
"	<b>R357-26E</b>	Thrust collar	.078" (1,98 mm)	5.50 ☼
"	<b>R357-26F</b>	Thrust collar	.082" (2,08 mm)	5.50 ☼
"	<b>R357-26G</b>	Thrust collar	.086" (2,18 mm)	5.50 ☼
"	<b>R357-26H</b>	Thrust collar	.090" (2,28 mm)	5.50 ☼
"	<b>R357-26JA</b>	Thrust collar	.094" (2,38 mm)	5.50 ☼
"	<b>R357-26KA</b>	Thrust collar	.098" (2,48 mm)	5.50 ☼
"	<b>R357-26LA</b>	Thrust collar	.102" (2,59 mm)	5.50 ☼
"	<b>357-26A</b>	Set 10 pcs.	.066" to .102"	65.00 ☼
"	<b>R357-26A</b>	Set 10 pcs.	.066" to .102"	52.00 ☼

### Flywheel washers (pressed/glued in flywheels)

N.	<b>372-21</b>	Standard	.055" (1,39 mm)	10.00 ☼
"	<b>R372-21</b>	Standard	.055" (1,39 mm)	7.00 ☼
"	<b>R372-21B</b>	Oversize	.060" (1,52 mm)	8.50 ☼
"	<b>R372-21C</b>	Oversize	.067" (1,70 mm)	9.00 ☼

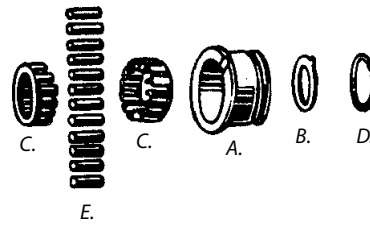
P.	<b>R543-37A</b>	Pipe, front chain oiler Brass pipe, light press fit in left crankcase	'37-'73	n.a.
S.	<b>R411-37</b>	Strainer, crankcase oil		4.75
"	<b>R411-37.5pack</b>	5 Crankcase oil strainers		19.75
R.	<b>411-37A</b>	Retainer pin, strainer		0.80 ☼
"	<b>R411-37A</b>	Retainer pin, strainer		0.55
	<b>R24978-57</b>	Gasket, crankcase oil strainer, cork		0.60
	<b>R411-37kit</b>	Strainer, crankcase oil, with gasket & pin		5.90





## Right Side Bearing

A.	<b>413-39A</b>	Bearing race	Std. O.D. 1.753"	47.50 ☉	
<b>JIMS</b>	"	<b>R413-39Aji</b>	Bearing race	Std. O.D. 1.753"	150.00 ☉
"	"	<b>R413-39AB</b>	Oversize	O.D. +.002"	55.00 ☉
"	"	<b>R413-39AC</b>	Oversize	O.D. +.005"	55.00 ☉
<b>JIMS</b>	"	<b>R413-39ACji</b>	Oversize	O.D. +.005"	165.00 ☉
<b>JIMS</b>	"	<b>R413-39AE</b>	Oversize	O.D. +.032"	150.00 ☉
B.	<b>414-39A</b>	Washer	'39-'73	5.00 ☉	
"	<b>R414-39A</b>	Washer	'39-'73	3.50 ☉	
"	<b>R414-39A.5pack</b>	5 Washers		13.50 ☉	
C.	<b>415-37</b>	Retainer, bearing roller	'37-'73	8.00 ☉	
D.	<b>423-39</b>	Spring ring	'39-'73	2.00 ☉	
"	<b>R423-39</b>	Spring ring	'39-'73	0.95 ☉	
"	<b>R423-39.10pack</b>	10 Spring rings	'39-'73	7.00 ☉	
E.	<b>R305-29</b>	Roller, standard	0.2498" x .550"	n.a.	
"	<b>305-29D</b>	Roller, oversize	+.0002"	1.00 ☉	
"	<b>R305-29F</b>	Roller, oversize	+.0004"	n.a.	
"	<b>R305-29H</b>	Roller, oversize	+.0006"	0.60 ☉	
"	<b>R305-29KA</b>	Roller, oversize	+.0008"	0.60 ☉	
"	<b>R305-29MA</b>	Roller, oversize	+.0010"	0.60 ☉	
"	<b>R305-29MA.15</b>	Roller, oversize	+.0015"	0.60 ☉	
"	<b>R305-29MA.20</b>	Roller, oversize	+.0020"	0.60 ☉	
"	<b>R305-29MA.30</b>	Roller, oversize	+.0030"	0.60 ☉	



Bearing races must be lapped after installing



F.	<b>R414-37</b>	Bearing, complete	Std.	n.a.
"	<b>414-37D</b>	Oversize	+.0002"	22.00 ☉
"	<b>R414-37F</b>	Oversize	+.0004"	n.a.
"	<b>R414-37H</b>	Oversize	+.0006"	22.00 ☉
"	<b>R414-37KA</b>	Oversize	+.0008"	22.00 ☉
"	<b>R414-37MA</b>	Oversize	+.0010"	22.00 ☉

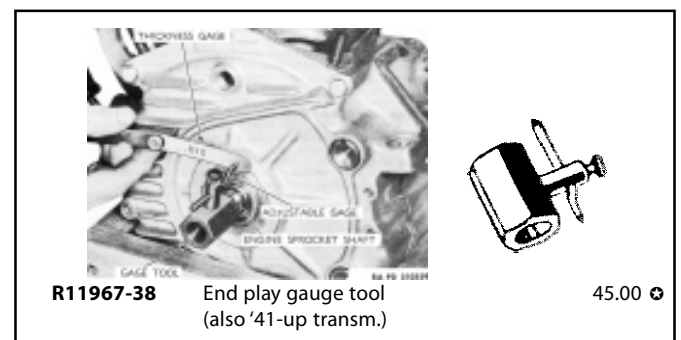
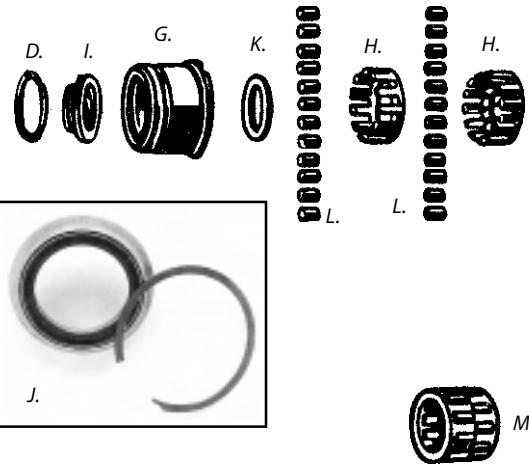
Note: '63-up models use double row 2289-17 bearings with 415-37 retainers. For 2289-17 rollers see connecting rod bearing. This double row bearing fits '37-'73 models.

## Left Side Bearing

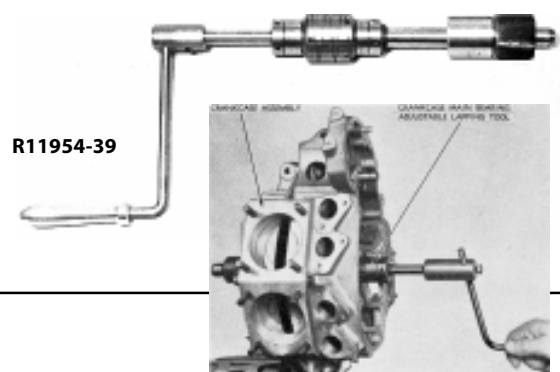
G.	<b>416-39</b>	Bearing race	Std. O.D. 1.753"	32.00 ☉	
<b>JIMS</b>	"	<b>R416-39ji</b>	Bearing race	Std. O.D. 1.753"	150.00 ☉
"	"	<b>R416-39B</b>	Oversize	O.D. +.002"	60.00 ☉
<b>JIMS</b>	"	<b>R416-39Cji</b>	Oversize	O.D. +.005"	85.00 ☉
H.	<b>417-29</b>	Retainer, left bearing	'29-'73	15.00 ☉	
"	<b>418-44</b>	Seal, requires special race	'44-'45 WLA	3.00 ☉	
I.	<b>421-39</b>	End, left bearing	'39-'73	11.00 ☉	
J.	<b>C8211-2</b>	Oil seal, sprocket shaft	'39-'73	26.25 ☉	
Can be used to replace steel ring 421-39 for positive sealing.					
K.	<b>422-39</b>	Washer, left bearing	'39-'73	5.00 ☉	
"	<b>R422-39</b>	Washer, left bearing	'39-'73	3.00 ☉	
"	<b>R422-39.5pack</b>	5 Washers	'39-'73	12.00 ☉	
D.	<b>423-39</b>	Spring ring, bearing	'39-'73	2.00 ☉	
"	<b>R423-39</b>	Spring ring, bearing	'39-'73	0.95 ☉	
"	<b>R423-39.10pack</b>	10 Spring rings	'39-'73	7.00 ☉	
L.	<b>R304-15</b>	Roller	Std. .250" x .360" 6,350 mm	n.a.	
"	<b>R304-15D</b>	Roller, oversize	+.0002"	0.60	
"	<b>R304-15F</b>	Roller, oversize	+.0004"	0.60	
"	<b>304-15H</b>	Roller, oversize	+.0006"	1.00 ☉	
"	<b>R304-15H</b>	Roller, oversize	+.0006"	0.60	
"	<b>R304-15KA</b>	Roller, oversize	+.0008"	0.60	
"	<b>R304-15MA</b>	Roller, oversize	+.0010"	n.a.	

Check website for 100-packs

M.	<b>R419-29</b>	Bearing, complete	Std.	n.a.
"	<b>R419-29D</b>	Oversize	+.0002"	44.00 ☉
"	<b>R419-29F</b>	Oversize	+.0004"	44.00 ☉
"	<b>R419-29H</b>	Oversize	+.0006"	44.00 ☉
"	<b>R419-29KA</b>	Oversize	+.0008"	44.00 ☉
"	<b>R419-29MA</b>	Oversize	+.0010"	n.a.



<b>R11954-39</b>	Bearing race lapping tool	'39-'73	475.00 ☉
<b>R96710-40</b>	Bearing race lapping tool set		645.00 ☉
Complete set, use on 40-up Big Twins, Sportster, 750cc.			
<b>R96718-40</b>	Lap head only	1.375" '39-'73 750cc	95.00 ☉
(also '55-'57 Panhead and '54-'76 Sportster)			



## Lower Engine Parts

### Motor Mounting

A.	<b>R437-26PS</b>	Bolt	plain head	park	6.25	✳
"	<b>R437-26P</b>	Bolt	"1035 cp"	park	6.25	✳
"	<b>R437-26</b>	Bolt	"1035 cp"	cad	6.25	✳
"	<b>R437-26C</b>	Bolt		chrome	7.50	✳
B.	<b>R0224P</b>	Washer		park	0.63	✳
"	<b>R0224</b>	Washer		cad	0.63	✳
"	<b>R0224C</b>	Washer		chrome	0.88	✳
C.	<b>R0128P</b>	Castle nut		park	2.00	✳
"	<b>R0128</b>	Castle nut		cad	2.13	✳
"	<b>R0128C</b>	Castle nut		chrome	2.31	✳
D.	<b>R0291P</b>	Cotter pin		park	0.19	✳
"	<b>R0291</b>	Cotter pin		zinc	0.15	✳

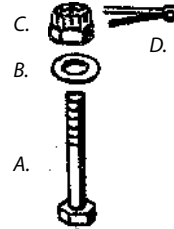
### Motor Mount Kits

**COLONY**



Kits include 4 bolts, nuts, washers, cotter pins.  
Heat treated special length bolts, best available.

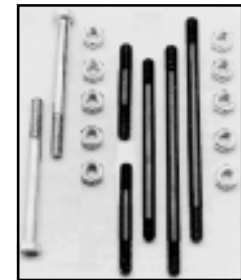
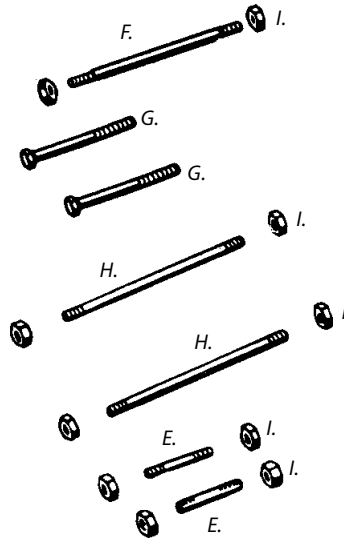
<b>C3034-16</b>	Kit	plain heads	park	39.38	✳
<b>C9626-16</b>	Kit	"1035 cp"	park	39.38	✳
<b>C8825-16</b>	Kit	"1035 cp"	cad	40.63	✳
<b>C9625-16</b>	Kit	plain heads	chrome	45.00	✳



C9625-16

### Crankcase Studs

E.	<b>R442-10cad</b>	Stud, lower	1-5/8"	'37-'39	cad	4.38	✳
"	<b>R442-10</b>	Stud, lower	1-5/8"	'40-'73	park	4.69	✳
F.	<b>442-37</b>	Stud, upper	4-1/2"		park	4.00	✳
G.	<b>443-37</b>	Bolt "1035 cp"	2-3/4"		cad	3.00	✳
H.	<b>444-37</b>	Stud	5"		park	4.00	✳
I.	<b>451-37</b>	Nut, crankcase stud			park	2.00	✳
"	<b>R451-37P</b>	Nut, crankcase stud			park	1.13	✳
"	<b>R451-37</b>	Nut, crankcase stud			cad	1.13	✳
"	<b>R451-37C</b>	Nut, crankcase stud			chrome	1.56	✳



C8619-17

### Crankcase Stud Kits

Complete kits include all studs, bolts and nuts.

**COLONY**

<b>C3103-17</b>	Kit	'37-'39	cad	42.50	✳
<b>C9697-17</b>	Kit	'40-'73	park	42.50	✳
<b>C8620-17</b>	Kit	'40-'73	cad	42.50	✳
<b>C8619-17</b>	Kit	'40-'73	chrome	45.00	✳

### Timing Hole Plugs

We have many different plugs available :

- All standard plugs have 5/8"-18 thread
- '38-'51 plugs have 7/8" hex size (wrench size)
- '52-'73 plugs have 3/4" hex size (wrench size)
- To repair stripped threads use 11/16"-16 thread oversize plugs
- Oversize plugs are available with 3/4" hex size only
- Custom style plugs have 9/16" hex size (wrench size)
- Heli-coil thread repair kit available.



Acorn



Cap



Allen



C9407-1

### Standard plugs, 5/8"-18 thread

<b>R2326-38P</b>	Hex plug	'38-'51	park	7.50	✳
<b>R2326-38</b>	Hex plug	'38-'51	cad	7.50	✳
<b>R2326-38C</b>	Hex plug	'38-'51	chrome	10.63	✳
<b>C8115-1</b>	Hex plug	'52-'73	cad	6.25	✳
<b>C8114-1</b>	Hex plug	'52-'73	chrome	9.38	✳
<b>C7106-1</b>	Acorn plug		chrome	11.25	✳
<b>C8441-1</b>	Cap plug		chrome	10.00	✳
<b>C9403-1</b>	Allen plug		cad	8.13	✳
<b>C9402-1</b>	Allen plug		chrome	10.63	✳

### Oversize plugs, 11/16"-16 thread

<b>C2589-1</b>	Hex plug		park	7.50	✳
<b>C2588-1</b>	Hex plug		cad	7.50	✳
<b>C9304-1</b>	Hex plug		chrome	9.38	✳
<b>C9960-1</b>	Allen plug		chrome	10.31	✳
<b>C7501-1</b>	Acorn plug		chrome	10.63	✳
<b>C7500-2</b>	Acorn plug and tap		chrome	53.75	✳
<b>C9407-1</b>	Tap only	11/16"-16		45.00	✳
<b>C2282-1</b>	Short tap can be used on assembled case			45.00	✳

### Heli-Coil® thread repair, timing hole plug

Repair kit includes 6 inserts, tap and installation tool.

<b>H5528-10-2</b>	Thread repair kit	5/8"-18 thread	n.a.	✳
<b>HR1191-10-2</b>	Set inserts only	(6)	38.00	✳


### Heli-Coil® thread repair

**HeliCoil**

To repair stripped drain plug hole.

<b>H5528-6</b>	Repair kit	3/8"-24 thread	65.00	✳
<b>HR1191-6</b>	Set inserts only (12)		26.00	✳
<b>M6125D</b>	25/64" drill, use with kit			

### Drain Plugs

<b>453-11</b>	Drain plug		park	6.00	✳
<b>R453-11P</b>	Drain plug		park	4.38	✳
<b>R453-11</b>	Drain plug		cad	4.38	✳
<b>R453-11C</b>	Drain plug		chrome	6.25	✳
<b>R453-11SP</b>	Drain plug, oversize	7/16-20	park	6.25	✳
<b>R453-11S</b>	Drain plug, oversize	7/16-20	cad	6.25	✳
<b>R453-11SC</b>	Drain plug, oversize	7/16-20	chrome	6.88	✳

**Gear Cover Screws**

<b>056</b>	Screw, slotted head	park	1.95 ☼
<b>R056P</b>	Screw, slotted head	park	1.88 ☼
<b>R056</b>	Screw, slotted head	cad	1.88 ☼
<b>R056C</b>	Screw, slotted head	chrome	2.31 ☼
<b>2341HW</b>	Screw, slotted head	zinc	2.00 ☼
<b>R056acorn</b>	Screw, acorn head	chrome	3.75 ☼
<b>R056allen</b>	Screw, allen head	chrome	2.69 ☼
<b>R056cap</b>	Screw, cap head	chrome	3.75 ☼



**Gear Cover Screw Sets**

Set screws include 11 cover screws and 4 relief pipe screws.

<b>C9668-19</b>	Set screws	park	29.38 ☼
<b>C9413-19</b>	Set screws	cad	29.38 ☼
<b>C9412-19</b>	Set screws	chrome	35.00 ☼
<b>C2102-12</b>	Set screws, Phillips head	cad	26.25 ☼
<b>C2101-12</b>	Set screws, Phillips head	chrome	30.00 ☼

Phillips head gear cover screws were stock on early '50's models.



<b>M1421T</b>	Tap 1/4"-24, gear cover screws	7.00 ☼
<b>die160-005</b>	Die 1/4"-24, gear cover screws	n.a.

**Heli-coil Thread Repair 1/4"-24**

Repair kit includes 12 inserts, tap and installation tool.



<b>H5540-4</b>	Heli-coil repair kit	1/4"-24	125.00 ☼
<b>HR389-4</b>	Set Heli-coil inserts only (12)		25.00 ☼
<b>M6117D</b>	17/64" drill, use with kit		5.00 ☼

**Gear Cover**

<b>B. 598-37A</b>	Gasket, gear cover	3.50 ☼
<b>C. R504-37</b>	Flutter valve (breather)	n.a.
<b>D. R3574-37A</b>	Oil pressure indicator pipe 1937-only Connection to gauge must be made after fitting pipe on bike.	n.a. ☼

<b>26560-63</b>	Terminal, switch	'63-'73	4.00 ☼
<b>26560-63.10pack</b>	10 Terminals	'63-'73	29.00 ☼
<b>26569-58</b>	Fitting, switch	'58-'73	6.00 ☼
<b>26569-58.10pack</b>	10 Fittings	'58-'73	41.00 ☼

This fitting will adapt '58-up switches with NPT thread to fit earlier models.

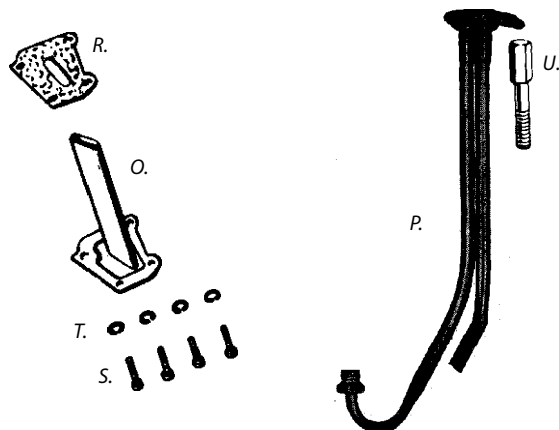
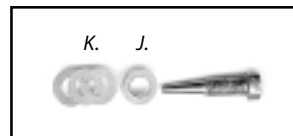
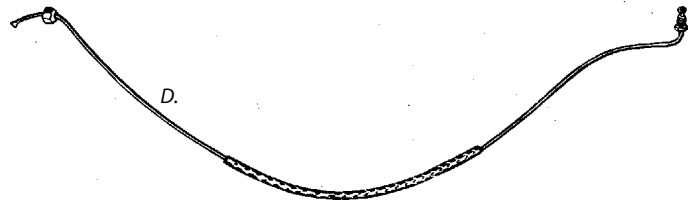
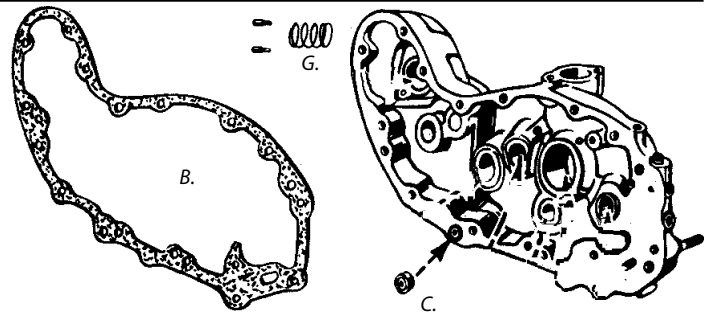
<b>G. 585-37A</b>	Spring, seal ring	2.50 ☼
<b>" R585-37A</b>	Spring, seal ring	1.75 ☼
<b>H. 585-37B</b>	Pin, retaining seal ring	n.a.

<b>I. R672-32</b>	Adjusting screw, chain oiler (early style, includes washers)	14.38 ☼
<b>J. R0202</b>	Washer, adjusting screw 1/16"	0.75 ☼
<b>K. 674-32</b>	Shim, adjusting screw .002"	n.a. ☼
<b>R674-32.10</b>	Shims, adjusting screw 10-pack	7.19 ☼

Note: above screw and shims are 1940's style, later models used adjusting screw with nut (R26383-32).

<b>M. R26383-32</b>	Adjusting screw, oiler, with nut+washer	3.50 ☼
<b>R0105AZ</b>	Nut, adjusting screw	0.50 ☼
<b>N. R0201A</b>	Washer, adjusting screw brass	0.50 ☼

<b>R672-32hex</b>	Adjusting screw, chain oiler (hex head)	5.00 ☼
-------------------	---	--------



<b>O. R543-37</b>	Relief pipe	'37-'73	16.50
<b>P. 543-37B</b>	Relief pipe kit, military (long)		n.a. ☼

Above long relief pipe was used on '44-'52 WLA models, kit includes all parts to switch over from standard pipe (except gasket).

<b>U. R14-45P</b>	Cylinder head bolt with 054A, long relief pipe	12.50 ☼
<b>054A</b>	Bolt, to mount long relief pipe	4.00 ☼
<b>545-45</b>	Plug, long relief pipe	7.00 ☼

<b>R. R544-37</b>	Gasket, relief pipe	1.25 ☼
<b>S. R036P</b>	Screw	park 0.63 ☼
<b>" R036</b>	Screw	cad 0.69 ☼
<b>" R036C</b>	Screw	chrome 0.81 ☼
<b>T. R0254P</b>	Lockwasher	park 0.25 ☼
<b>" R0254</b>	Lockwasher	zinc 0.20 ☼
<b>" R0254C</b>	Lockwasher	chrome 0.38 ☼

## Lower Engine Parts

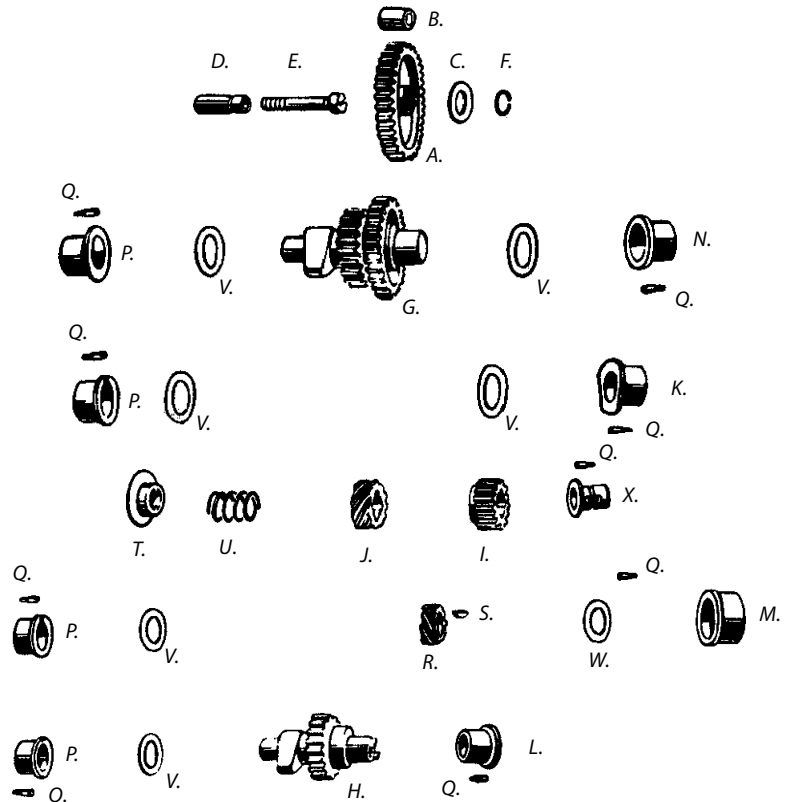
<b>R636-30A</b>	Idler gear stud assembly		15.00
<b>R659-37A</b>	Bushing kit, with pins and shims		95.00
A. <b>619-37</b>	Gear, idling		29.00 ☼
B. <b>R620-30</b>	Bushing, idling gear		22.50 ☼
C. <b>R462-11</b>	Washer, idling gear		0.30
D. <b>636-30</b>	Stud, idling gear		12.00 ☼
" <b>R636-30</b>	Stud, idling gear		8.50 ☼
E. <b>644-30</b>	Screw, idling gear stud		6.00 ☼
" <b>R644-30</b>	Screw, idling gear stud		5.75
F. <b>R658-15</b>	Spring ring, idler gear stud		0.60
G. <b>612-37</b>	Cam gear, front exhaust		n.a. ☼
H. <b>613-37</b>	Cam gear, rear exhaust		115.00 ☼
I. <b>R604-37A</b>	Pinion gear		28.00
J. <b>689-37B</b>	Gear, breather and oil pump		n.a. ☼
K. <b>660-37</b>	Bushing, gear cover		14.00 ☼
" <b>R660-37</b>	Bushing, gear cover		9.00
L. <b>R660-37A</b>	Bushing, gear cover		16.25
M. <b>660-37B</b>	Bushing, gear cover	'37-'58	15.00 ☼
" <b>R660-37B</b>	Bushing, gear cover	'37-'58	11.00
" <b>R25588-57</b>	Bushing, gear cover	'59-'73	18.00 ☼
N. <b>R660-37C</b>	Bushing, gear cover		13.00
X. <b>R660-37E</b>	Bushing, gear shaft in cover		16.25
P. <b>R661-37A</b>	Bushing, crankcase		12.00
" <b>R661-37A.005</b>	Bushing, crankcase	+0.005" O.D.	21.00 ☼
" <b>R661-37A.010</b>	Bushing, crankcase	+0.010" O.D.	23.00 ☼
" <b>R661-37Aus</b>	Bushing, crankcase, undersize I.D.		13.00
" <b>25601-37A</b>	Bushing, crankcase	late type	15.00 ☼
Q. <b>661-31</b>	Pin, bushing		0.80 ☼
" <b>R661-31</b>	Pin, bushing		0.30
R. <b>621-37</b>	Gear, timer drive		12.00 ☼
S. <b>1654-29</b>	Key, timer drive gear		2.00
T. <b>355-39</b>	Seal ring		13.00 ☼
U. <b>R355-37B</b>	Spring, seal ring		1.50 ☼
V. <b>R664-37C</b>	Thrustwasher	.005"	0.75 ☼
" <b>R664-37</b>	Thrustwasher	.007"	0.50 ☼
" <b>R664-37R</b>	Thrustwasher	.015"	0.75 ☼
W. <b>R6773</b>	Thrustwasher, large	.005"	0.70 ☼
" <b>R6775</b>	Thrustwasher, large	.010"	0.70 ☼
" <b>R6778</b>	Thrustwasher, large	.015"	0.70 ☼



R636-30A

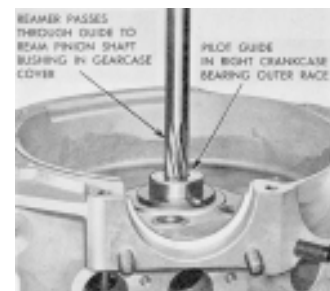


R659-37A



### Gear shaft bushing line reamer

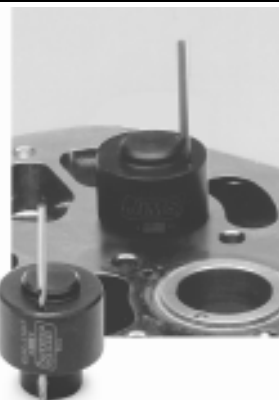
<b>R94812-37A</b>	Reamer, gear shaft bushing	n.a.
<b>R94805-57-3</b>	Pilot	175.00 ☼



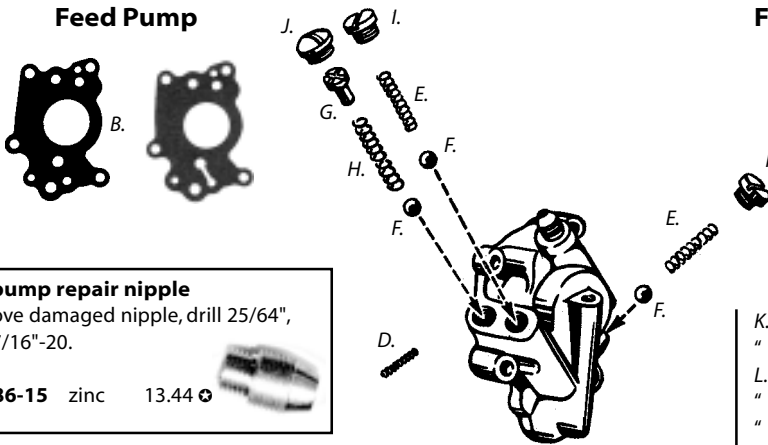
### Bushing installing and drilling tools

Use to press in bushing and drill through guide hole at factory location. Complete with instructions and drill size # 31.

<b>R1017.37TB</b>	Bushings 660-37, 660-37C, 661-37A	74.50 ☼
<b>R1014.57TB</b>	Bushing 660-37B	n.a.
(no tool is available for rear cover bushing 660-37A)		
<b>R1016.37TB</b>	For gear shaft bushing 660-37E	71.50 ☼
<b>R1097</b>	Replacement drill (# 31)	12.50 ☼



Feed Pump

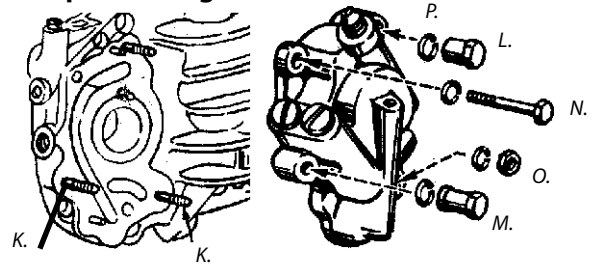


**Oil pump repair nipple**  
remove damaged nipple, drill 25/64",  
tap 7/16"-20.

**R3586-15** zinc 13.44 €

B.	<b>589-37</b>	Gasket, feed pump	'37-'59	1.50 €
"	<b>26244-60</b>	Gasket, feed pump	'60-'73	1.25 €
	<b>687-37</b>	Vane holder	flat pump	20.00 €
	<b>687-41A</b>	Valve, governor	'41-'51	10.00 €
	<b>687-41B</b>	Weight, pressure valve	'41-'51	4.00 €
D.	<b>689-37</b>	Spring, vane	'41-'51	1.50 €
E.	<b>703-36</b>	Spring, check valve	'37-'73	2.50 €
"	<b>R703-36</b>	Spring, check valve	'37-'73	1.50 €
F.	<b>R704-36</b>	Ball, valve	'37-'73	0.40
G.	<b>711-36</b>	Screw, adjusting	'37-'40	5.00 €
"	<b>711-41</b>	Screw, adjusting	'41-'73	5.00 €
H.	<b>713-41</b>	Spring, by-pass valve	'41-'73	3.50 €
"	<b>R713-41</b>	Spring, by-pass valve	'41-'73	1.60 €
	<b>715-37</b>	Retainer, by-pass ball	'37-'73	2.50 €
I.	<b>R701-36P</b>	Screw, check valve	park	10.00 €
"	<b>R701-36</b>	Screw, check valve	cad	10.00 €
"	<b>R701-36C</b>	Screw, check valve	chrome	12.50 €
J.	<b>707-36</b>	Screw, adjusting valve	park	10.00 €
"	<b>R707-36P</b>	Screw, adjusting valve	park	10.63 €
"	<b>R707-36</b>	Screw, adjusting valve	cad	10.63 €
"	<b>R707-36C</b>	Screw, adjusting valve	chrome	12.50 €

Feed Pump Mounting



K.	<b>591-37</b>	Stud, oil pump mounting		4.00 €
"	<b>R591-37</b>	Stud, oil pump mounting		3.25 €
L.	<b>591-41</b>	Nut, short	park	8.00 €
"	<b>R591-41P</b>	Nut, short	park	6.25 €
"	<b>R591-41</b>	Nut, short	cad	6.25 €
"	<b>R591-41C</b>	Nut, short	chrome	7.19 €
M.	<b>591-41A</b>	Nut, long	park	8.00 €
"	<b>R591-41AP</b>	Nut, long	park	5.63 €
"	<b>R591-41A</b>	Nut, long	cad	5.63 €
"	<b>R591-41AC</b>	Nut, long	chrome	7.50 €
N.	<b>R13332-25AP</b>	Bolt	park	3.13 €
"	<b>R13332-25A</b>	Bolt	cad	3.13 €
"	<b>13332-25Acad</b>	Bolt "Rockford"	cad	3.20 €
"	<b>R13332-25AC</b>	Bolt	chrome	4.06 €
O.	<b>0108</b>	Nut	park	1.50 €
"	<b>R0108P</b>	Nut	park	1.13 €
"	<b>R0108M</b>	Nut	cad	1.19 €
"	<b>R0108C</b>	Nut	chrome	0.88 €
P.	<b>R0256P</b>	Lockwasher	park	0.25 €
"	<b>R0256</b>	Lockwasher	zinc	0.25 €
"	<b>R0256C</b>	Lockwasher	chrome	0.38 €

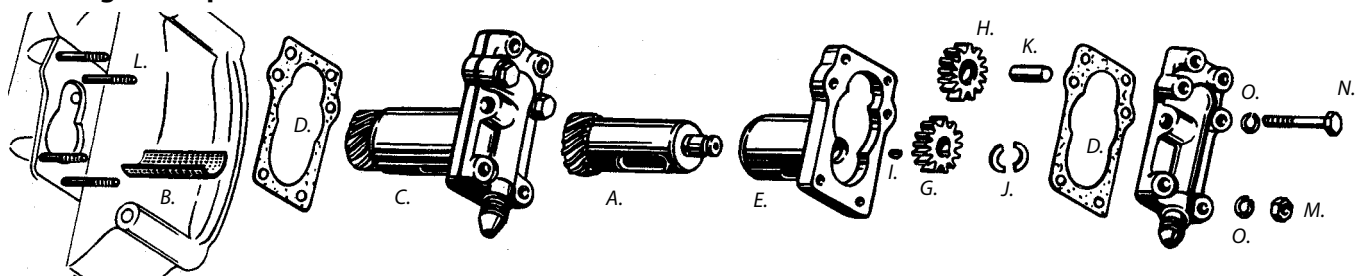
Oil Pump Mounting Kits



Includes all nuts and bolts to install both pumps.  
Kits do not include studs.

<b>C9663-22</b>	Mounting kit	park	'41-'73	20.63 €
<b>C9409-22</b>	Mounting kit	cad	'41-'73	20.63 €
<b>C9408-22</b>	Mounting kit	chrome	'41-'73	25.31 €

Scavenger Pump



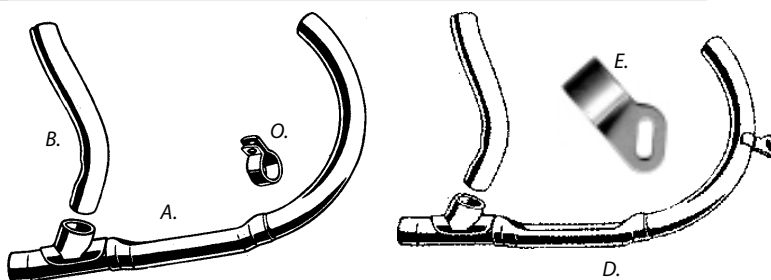
A.	<b>503-37</b>	Shaft		n.a. €
"	<b>R503-37</b>	Shaft		19.00 €
B.	<b>R504-39</b>	Screen		3.00 €
"	<b>R504-39.10pack</b>	10 Screens		22.00 €
D.	<b>590-37</b>	Gasket		1.50 €
E.	<b>R679-37</b>	Body, aluminum		n.a.
G.	<b>690-38</b>	Gear, models with or without chain oiler		21.00 €
"	<b>R690-38</b>	Gear, models with or without chain oiler		11.00
"	<b>R690-38.5pack</b>	5 Gears		44.00
H.	<b>691-37</b>	Gear, idle		21.00 €
"	<b>R691-37</b>	Gear, idle		11.50
"	<b>R691-37.5pack</b>	5 Gears		47.50
I.	<b>693-36</b>	Key, pump gear		2.50 €
"	<b>R693-36</b>	Key, pump gear		1.35
"	<b>R693-36.10pack</b>	10 Keys		10.00
J.	<b>R694-37</b>	Split washers	pair	2.50 €
K.	<b>697-37</b>	Shaft, idler gear		5.00 €

L.	<b>591-36</b>	Stud	park	3.00 €
"	<b>R591-36</b>	Stud	park	3.25 €
M.	<b>0108</b>	Nut	park	1.50 €
"	<b>R0108P</b>	Nut	park	1.13 €
"	<b>R0108M</b>	Nut	cad	1.19 €
"	<b>R0108C</b>	Nut	chrome	0.88 €
N.	<b>1123-29</b>	Bolt, dome head	park	1.50 €
"	<b>7223-34</b>	Bolt, "1035 cp" head	park	n.a. €
"	<b>R053EP</b>	Bolt, plain head	park	2.50 €
"	<b>R053E</b>	Bolt, plain head	cad	2.50 €
"	<b>R053EC</b>	Bolt, plain head	chrome	3.75 €
O.	<b>R0256P</b>	Lockwasher	park	0.25 €
"	<b>R0256</b>	Lockwasher	zinc	0.25 €
"	<b>R0256C</b>	Lockwasher	chrome	0.38 €

# Exhaust Systems

## Exhaust Pipes

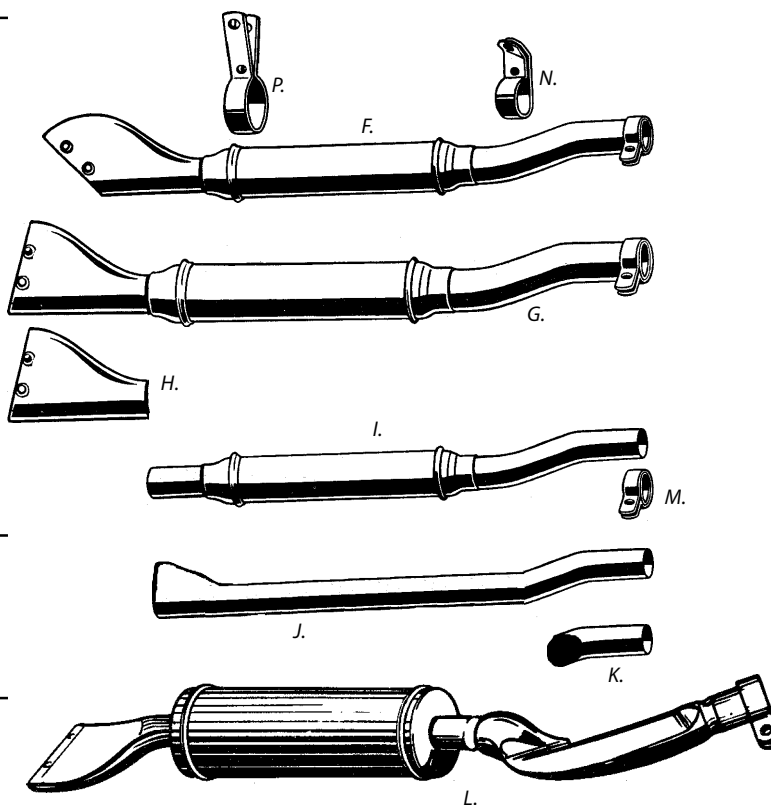
A.	<b>R1006-41</b>	Pipe set (2 pcs)	bare	'37-'50	135.00	✳
"	<b>R1006-41C</b>	Pipe set (2 pcs)	chrome	'37-'50	170.00	✳
B.	<b>R1007-41</b>	Rear pipe only	bare	'37-'73	n.a.	
"	<b>R1007-41C</b>	Rear pipe only	chrome	'37-'73	n.a.	
D.	<b>R1006-51</b>	Pipe set (2 pcs)	bare	'51-'73	145.00	✳
"	<b>R1006-51C</b>	Pipe set (2 pcs)	chrome	'51-'73	175.00	✳
E.	<b>R1061-51</b>	Bracket only "weld on"		'51-'73	14.00	✳



## Mufflers

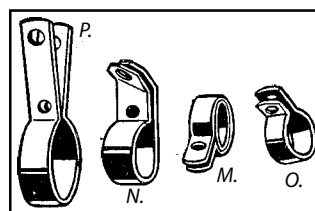
Note: Following mufflers are all interchangeable, for example the 1950 style muffler will also fit earlier models, etc.  
Mufflers or pipes do not include clamps.

F.	<b>R1035-32</b>	Muffler	bare	'32-'49	99.00	✳
"	<b>R1035-32C</b>	Muffler	chrome	'32-'49	120.00	✳
"	<b>R1035-32-SP</b>	Muffler, spotwelded	bare	'32-'49	160.00	✳
G.	<b>R1035-40M</b>	Muffler, military	bare	'40-'52	138.00	✳
"	<b>R1035-40MC</b>	Muffler, military	chrome	'40-'52	158.00	✳
"	<b>R1035-40M-SP</b>	Muffler, spotwelded	bare	'40-'52	170.00	✳
H.	<b>1044-40M</b>	Outlet only, military		'40-'52	35.00	✳
"	<b>R1044-35</b>	Outlet only, civilian		'35-'49	39.00	✳
I.	<b>R1035-50</b>	Muffler	bare	'50-'52	125.00	✳
"	<b>R1035-50C</b>	Muffler	chrome	'50-'52	145.00	✳
J.	<b>R1003-46</b>	Pipe for WRTT racer			145.00	✳
fits on end of front pipe to replace muffler						
K.	<b>R1003-47</b>	WR exhaust header Turn-out			45.00	✳
fits on end of front pipe to replace muffler						
	<b>R1035-32A</b>	Muffler, Servi-car	bare	'32-'37	145.00	✳
(right side exit)						
	<b>R1035-38</b>	Muffler, Servi-car	bare	'38 only	125.00	✳
(left side exit, vertical fin)						
L.	<b>1035-51</b>	Muffler, Servi-car	black	'39-'73	345.00	✳
"	<b>R1035-51</b>	Muffler, Servi-car	bare	'39-'73	150.00	✳
"	<b>R1035-51C</b>	Muffler, Servi-car	chrome	'39-'73	180.00	✳



## Clamps

	<b>750CS</b>	Clamp set (4)	park	48.00	✳
	<b>750CSC</b>	Clamp set (4)	chrome	58.00	✳
M.	<b>R1037-50</b>	Clamp, front muffler	park	11.00	✳
"	<b>R1037-50C</b>	Clamp, front muffler	chrome	12.50	✳
N.	<b>R1038-36</b>	Clamp, muffler	park	13.00	✳
"	<b>R1038-36C</b>	Clamp, muffler	chrome	16.00	✳
O.	<b>1061-32A</b>	Clamp, front pipe	black	13.00	✳
"	<b>R1061-32A</b>	Clamp, front pipe	park	13.00	✳
"	<b>R1061-32AC</b>	Clamp, front pipe	chrome	16.00	✳
P.	<b>R1064-32A</b>	Clamp, muffler	park	13.00	✳
"	<b>R1064-32AC</b>	Clamp, muffler	chrome	16.00	✳

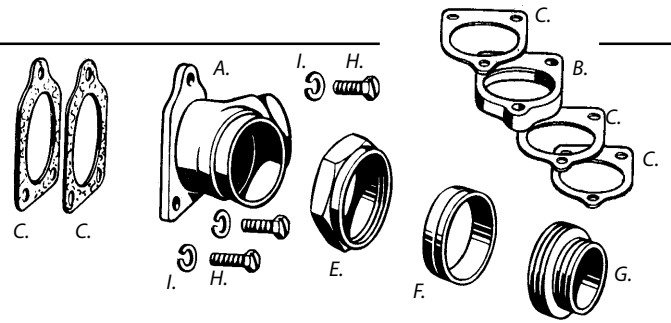


	<b>750BSP</b>	Set of 6 bolts, nuts and lockwashers	park	19.50
	<b>750BS</b>	Set of 6 bolts, nuts and lockwashers	zinc	7.50
	<b>750BSC</b>	Set of 6 bolts, nuts and lockwashers	chrome	17.50



**Manifold**

A.	<b>1107-36A</b>	Pipe only	'36-'58	park	n.a.
(these manifolds fit all 1-1/4" carburetors except '40-'46 WLD)					
B.	<b>1109-41</b>	Extension, inlet pipe		park	12.00 ☼
(not used on '43-up (casting #-43), it is used on all '41-'46 WLD)					
	<b>1121-21</b>	Gasket, manifold	1-1/4" carbs	.005"	0.50 ☼
C.	<b>R1121-39</b>	Gasket, manifold	1-1/4" carbs	.062"	2.50 ☼
"	<b>R1121-29</b>	Gasket, manifold	1" carbs		2.00 ☼
	<b>C2636-10</b>	Rivet, inlet nipple	(10-pack)		13.13 ☼
	<b>R1112-32A</b>	Rivet, inlet nipple	oversize 1/4"		1.25 ☼

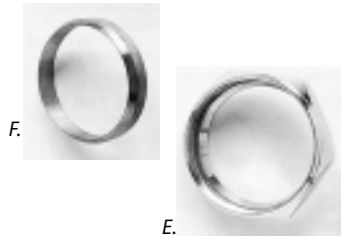


**Manifold nuts '32-'73, except '40-'46 WLD (1-7/8" wrench size)**

E.	<b>R1115-32P</b>	Nut, manifold		park	16.25 ☼
"	<b>R1115-32</b>	Nut, manifold		cad	10.00 ☼
"	<b>R1115-32C</b>	Nut, manifold		chrome	21.25 ☼
F.	<b>1118-30A</b>	Bushing		brass	15.00 ☼
"	<b>R1118-30A</b>	Bushing		brass	10.00 ☼
G.	<b>1112-32</b>	Nipple, inlet		park	20.00 ☼

**Manifold nuts '40-'46 WLD (2" wrench size)**

	<b>R1115-30P</b>	Nut, manifold		park	17.50 ☼
	<b>R1115-30</b>	Nut, manifold		cad	17.50 ☼
	<b>R1115-30C</b>	Nut, manifold		chrome	21.25 ☼
	<b>R1118-30</b>	Bushing		brass	10.63 ☼
	<b>R1112-36</b>	Nipple, inlet		park	26.25 ☼



**Manifold screws 1-1/4" carburetors**

5/16"-18 thread					
H.	<b>R1123-39P</b>	Screw		park	2.50 ☼
"	<b>R1123-39</b>	Screw		cad	2.50 ☼
"	<b>R1123-39C</b>	Screw		chrome	3.75 ☼
"	<b>1123-41</b>	Screw, long		park	3.00 ☼
(long screw is used only with extension 1109-41)					

I.	<b>R0259P</b>	Lockwasher	5/16"	park	0.25 ☼
"	<b>R0259</b>	Lockwasher	5/16"	zinc	0.25 ☼
"	<b>R0259C</b>	Lockwasher	5/16"	chrome	0.38 ☼

**Manifold screws 1" carburetors**

1/4"-24 thread					
	<b>1123-29</b>	Screw		park	1.50 ☼
	<b>R1123-29</b>	Screw		cad	3.13 ☼
	<b>R1123-29C</b>	Screw		chrome	4.06 ☼
	<b>R0256P</b>	Lockwasher	1/4"	park	0.25 ☼
	<b>R0256</b>	Lockwasher	1/4"	zinc	0.25 ☼
	<b>R0256C</b>	Lockwasher	1/4"	chrome	0.38 ☼

**Low and High Speed Needle Valve**

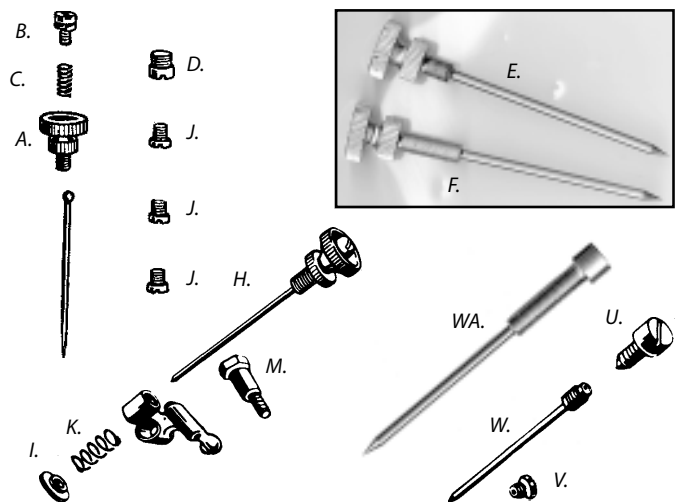
A.	<b>R1152-11</b>	Screw, needle valve adjusting		zinc	8.50
"	<b>R1152-11cad</b>	Screw, needle valve adjusting		cad	12.50 ☼
B.	<b>R1153-11</b>	Lockscrew, needle valve			0.40 ☼
C.	<b>R1154-11</b>	Spring, needle valve			2.00 ☼
D.	<b>1251-33</b>	Plug, idle passage			7.00 ☼
"	<b>R1251-33</b>	Plug, idle passage			n.a.
E.	<b>R1254-27</b>	High speed needle valve 1-1/4" carbs			33.75 ☼
F.	<b>R1254-27S</b>	High speed needle valve, special			n.a.

This needle has extra long threads to be used when first part of thread in carburetor is damaged. Clean up with 1/4"-40 tap first (next page).

H.	<b>R1261-27A</b>	Low speed needle cpt.	1-1/4"	'33-'47	28.75 ☼
"	<b>R27337-27</b>	Low speed needle cpt.	1-1/4"	'48-'58	30.00 ☼
"	<b>R1261-33A</b>	Low speed needle cpt.	1"	'33-'47	30.00 ☼
"	<b>R27340-33</b>	Low speed needle cpt.	1"	'48-'58	30.00 ☼
	<b>R1261-27</b>	Low speed needle only	1-1/4"		17.50 ☼
	<b>R1261-33</b>	Low speed needle only	1"		17.50 ☼
I.	<b>R1262-27</b>	Collar, spring			3.00
J.	<b>1263-24</b>	Idle passage plug screw			3.00 ☼
"	<b>R1263-24</b>	Idle passage plug screw			2.20
K.	<b>R1264-27</b>	Spring, needle valve			0.80 ☼
M.	<b>1293-27</b>	Screw, needle valve lever			6.00 ☼
"	<b>R1293-27</b>	Screw, needle valve lever			3.00 ☼

**Choke**

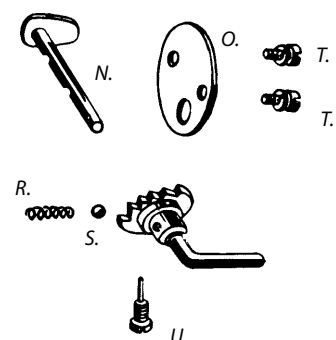
N.	<b>1231-33</b>	Shaft, air intake		'33-'58	n.a.
O.	<b>1232-24</b>	Disc, air intake		'30-'58	n.a.
U.	<b>R1234-24</b>	Screw, intake lever	park	'33-'58	4.20
R.	<b>R1296-26</b>	Spring, friction		'29-'58	0.80 ☼
S.	<b>R1297-26</b>	Ball, friction		'29-'58	0.35
T.	<b>R010Z</b>	Screw	zinc	'29-'58	0.30
	<b>R0251</b>	Lockwasher	zinc	'29-'58	0.20



**High speed needle valve and parts Military models (M88)**

U.	<b>1248-40M</b>	Lock screw		park	3.50 ☼
"	<b>1248-40MB</b>	Lock screw		brass	3.50 ☼
"	<b>1248-40Mcad</b>	Lock screw		cad	3.50 ☼
V.	<b>1249-41</b>	Fixed jet	.052" hole		5.00 ☼
W.	<b>1254-40M</b>	High speed needle valve			12.00 ☼
"	<b>1254-40M.5pack</b>	5 High speed needles			40.00 ☼
"	<b>1254-40M.10pack</b>	10 High speed needles			60.00 ☼
WA.	<b>R1254-40MS</b>	High speed needle valve, special			25.00

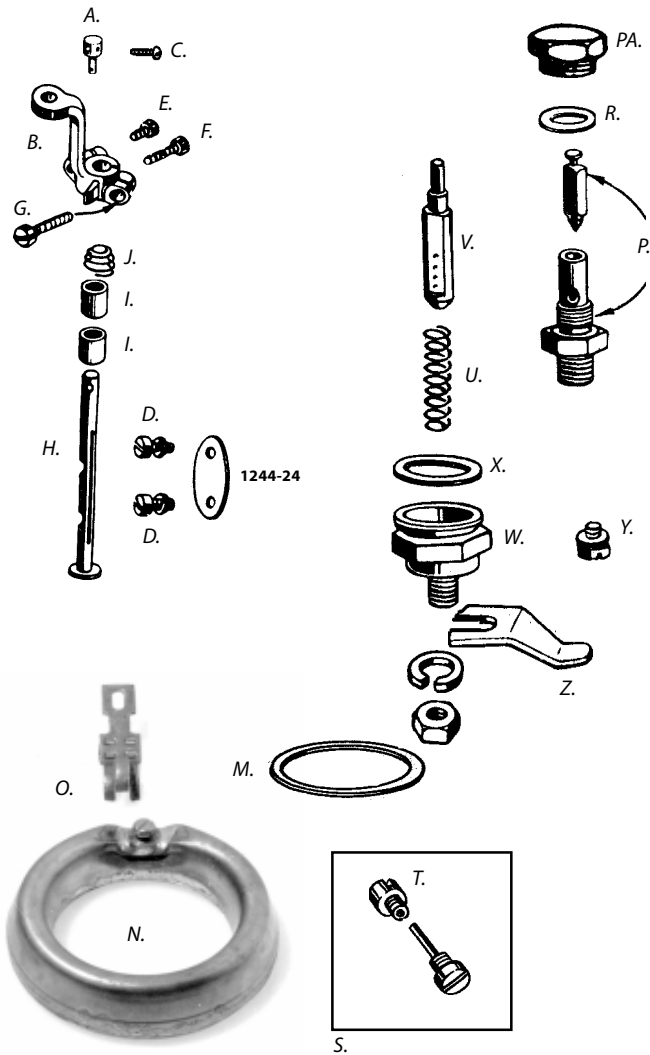
This needle has extra long threads to be used when first part of thread in carburetor is damaged. Clean up with 1/4"-40 tap first (next page).



# Carburetor

## Throttle

A.	<b>R3370-36</b>	Connection, with screw, washer		14.38	✳
"	<b>R3370-36S</b>	Connection, oversize for worn levers		15.00	✳
B.	<b>1238-37</b>	Throttle lever black '37-'58		n.a.	
Throttle lever includes screws 011, 024, 032. ( E.F.G. )					
C.	<b>R021</b>	Screw cad	0.63	<b>F.R024P</b>	Screw park 0.63
"	<b>R021P</b>	Screw park	0.63	" <b>R024Z</b>	Screw zinc
"	<b>R011P</b>	Screw park	0.56	G. <b>R032P</b>	Screw park 0.63
"	<b>R032</b>	Screw cad		" <b>R032</b>	Screw cad 0.69
H.	<b>R1242-26</b>	Throttle shaft	1" carbs.	12.50	✳
"	<b>R1243-24</b>	Throttle shaft	1-1/4" carbs.	10.00	
"	<b>1244-24</b>	Throttle disc	1-1/4" carbs.	13.00	✳
D.	<b>R010Z</b>	Screw, throttle disc		zinc	0.30
"	<b>R0251</b>	Lockwasher, throttle disc screw			0.20
I.	<b>R1245-24</b>	Bushing, throttle shaft	'29-'58		3.00 ✳
J.	<b>R1247-32</b>	Spring, throttle shaft	'32-'58		1.00 ✳
"	<b>R1247-32.10pack</b>	10 Springs	'32-'58		8.25 ✳



## Float Bowl

M.	<b>R27376-52</b>	Gasket, float bowl	K-model '52-'56	2.00	✳
(will fit '33-'58 Flathead models)					
N.	<b>R1271-33</b>	Float "rubber ducky"	'33-'58	44.00	✳
O.	<b>R1272-33</b>	Lever, float	'33-'58	12.50	
"	<b>R1272-33A</b>	Stud and screw, float mount	'33-'58	4.25	
P.	<b>R1273-33A</b>	Float valve & seat	'33-'58	29.06	✳
PA.	<b>R1275-33</b>	Cap, bowl	brass '33-'58	6.88	✳
"	<b>R1275-33cad</b>	Cap, bowl	cad '33-'58	6.88	✳
R.	<b>R1285-33</b>	Washer, inlet nipple	'33-'58	1.80	✳
S.	<b>R1196-11kit</b>	Pin and screw, float lever	'29-'58	12.94	✳
T.	<b>1197-16</b>	Screw only, float lever pin	'29-'58	5.00	✳
"	<b>R1197-16</b>	Screw only, float lever pin	'29-'58	4.38	✳
U.	<b>R1257-33</b>	Spring, nozzle retainer	'33-'58	1.20	
V.	<b>R1258-33</b>	Main nozzle	'33-'58	17.50	
W.	<b>1268-29</b>	Nut, bowl	cad '29-'58	15.00	✳
"	<b>R1268-29</b>	Nut, bowl	cad '29-'58	13.75	✳
"	<b>R1268-29C</b>	Nut, bowl	chrome '29-'58	16.25	✳
"	<b>R1268-29B</b>	Nut, bowl	brass '29-'58	17.50	✳
"	<b>C3121-6</b>	Nut, with drain hole	cad '29-'58	21.88	✳
X.	<b>R1269-28</b>	Gasket, bowl nut	'29-'58	2.06	✳
Y.	<b>R1269-39</b>	Drain screw and washer	'39-'58	9.38	✳
Z.	<b>R1111-36</b>	Support bracket	'36-'58	7.50	✳
"	<b>R0127P</b>	Nut	park	1.50	✳
"	<b>R0127</b>	Nut	cad	1.69	✳
"	<b>R0127C</b>	Nut	chrome	1.06	✳
"	<b>R0261P</b>	Lockwasher	park	0.25	✳
"	<b>R0261</b>	Lockwasher	zinc	0.25	✳
"	<b>R0261C</b>	Lockwasher	chrome	0.38	✳

**R1135-36** Carburetor overhaul kit 1-1/4" carbs. 117.50

Includes following items:

3 x R1121-39	1 x R1269-28
1 x R1196-11	1 x R1271-33
1 x R1243-24	1 x R1272-33A
1 x 1244-24	1 x R1273-33A
2 x R010Z	1 x R1276-36
2 x R1245-24	1 x R27376-52
1 x R1247-32	1 x R1285-33
1 x R1257-33	1 x R1296-26
	1 x R1297-26

## Special Carburetor Taps and Dies

<b>tap160-002</b>	Tap	1/4"-40	n.a.
(high speed needle valve (adjustable & non-adjustable), lever 1292-27)			
<b>tap160-003</b>	Tap	1/4"-32	n.a.
(float lever pin and screw 1196-16, 1197-16, bowl drain screw 1269-39)			
<b>die160-008</b>	Die	3/4"-20	n.a.
(bowl nut 1268-29, to repair thread on housing)			



<b>R1265-29A</b>	Venturi 7/8"	for 1" carburetor	47.50 ✳
<b>R1265-41M</b>	Venturi 15/16"	for M88 carburetor	47.50 ✳
<b>R1265-30A</b>	Venturi 1-1/16"	for 1-1/4" carburetor	48.44 ✳
<b>C2822-1</b>		+0.025" oversize	48.44 ✳
<b>R1265-30B</b>	Venturi 1-1/8"	for 1-1/4" carburetor	50.00 ✳
<b>C3164-1</b>		+0.025" oversize	50.00 ✳

**Venturis for Indian models**

<b>C2465-1</b>	Venturi 1-1/16"	for 1-1/4" carburetor	48.44 ✳
<b>C2467-1</b>	Venturi 1-1/8"	for 1-1/4" carburetor	48.44 ✳

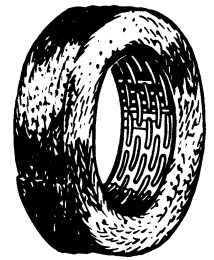
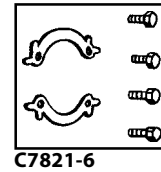
These venturis are "vented" and can also be used with the M88 body.



## Air Cleaner Mounting Parts

<b>R1408-36</b>	Lock ring	'36-'55	9.38 ☉
<b>R1409-36P</b>	Bolt park	'36-'58	2.50 ☉
<b>R1409-36</b>	Bolt cad	'36-'58	2.50 ☉
<b>R29060-56</b>	Lock ring set	'56-'58	9.38 ☉
<b>C9017-5</b>	Bolts and lock ring cad	'36-'55	19.38 ☉
<b>C2922-5</b>	with longer bolts cad	'36-'55	19.94 ☉
<b>C9682-5</b>	Bolts and lock ring park	'36-'55	19.38 ☉
<b>C2923-5</b>	with longer bolts park	'36-'55	19.94 ☉
<b>C2924-6</b>	Bolts and lock rings cad	'56-'58	19.94 ☉
<b>C2666-5</b>	J-slot rivets and tool	'36-'55	16.25 ☉
<b>R1402-40R</b>	Rivet only	'36-'55	2.50 ☉

<b>R1402-41</b>	Back plate	'41-'55	42.00
<b>R1404-41</b>	Filter element	'41-'73	17.00
<b>R1404-35</b>	Mesh only		9.00
<b>R1405-41</b>	Spring, filter element		16.00 ☉



## Oil Bath Air Cleaners

### Parts for round oil bath air cleaner, 1941

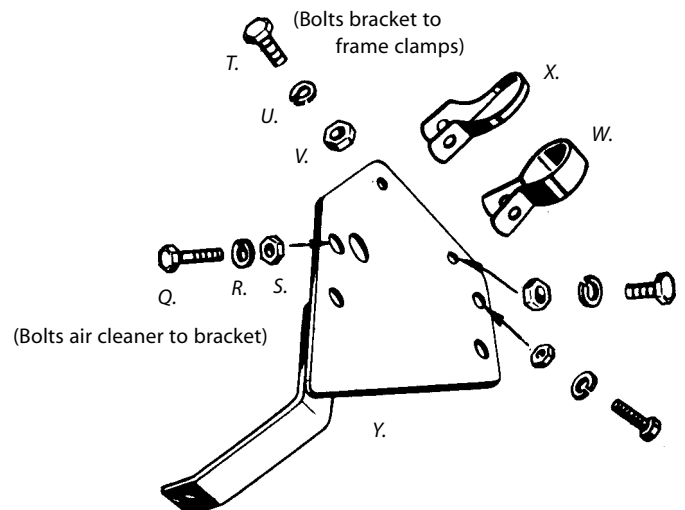
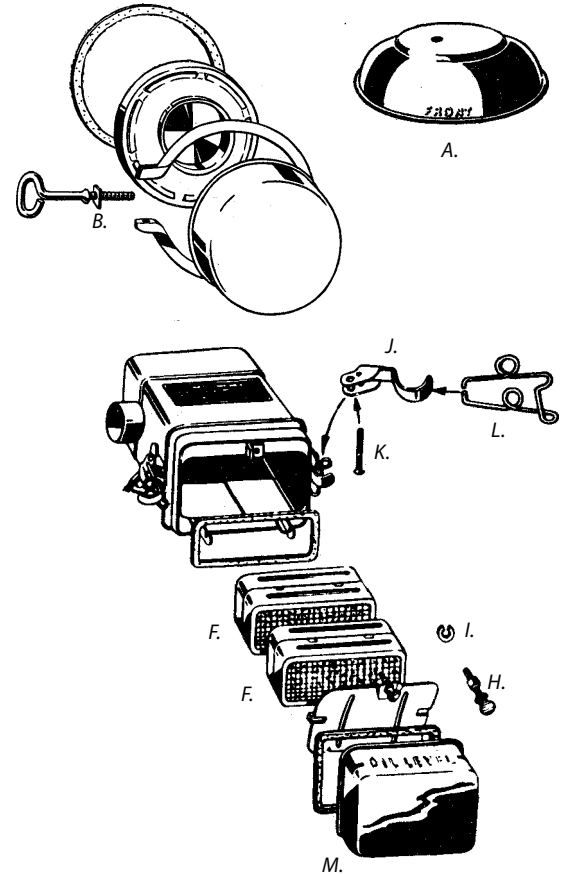
A. <b>1415-41M</b>	Cover, air cleaner	n.a.
B. <b>1421-41M</b>	Clamp, bottom pan, with screw	n.a.

### Parts for oil bath rectangular air cleaner '42-'52

F. <b>1414-42</b>	Strainer, air cleaner	n.a.
H. <b>1416-42</b>	Screw, baffle plate	2.00 ☉
I. <b>1417-42</b>	Washer, baffle plate screw	0.80 ☉
J. <b>1421-42</b>	Latch, oil cup	4.50 ☉
K. <b>1422-42</b>	Rivet, oil cup latch	1.50 ☉
L. <b>1423-42</b>	Clip, latch spring	3.00 ☉
M. <b>1425-42MA</b>	Oil cup	n.a.

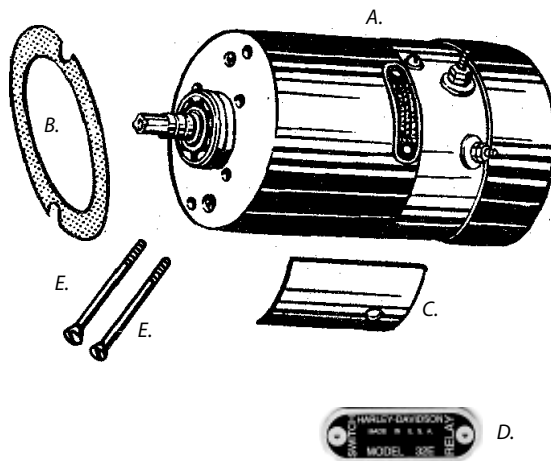
### Mounting Parts

P. <b>R1409-41MP</b>	Screw, connection park	4.06 ☉
" <b>R1409-41M</b>	Screw, connection cad	4.06 ☉
(for attaching elbow to carburetor)		
Q. <b>1408-41M</b>	Bolt, air cleaner bracket park/zinc	3.00 ☉
R. <b>0266</b>	Lockwasher park	1.50 ☉
" <b>R0266</b>	Lockwasher cad	0.75 ☉
S. <b>R0133P</b>	Nut park	1.63 ☉
T. <b>7223-34</b>	Bolt "1035 cp" park	n.a. ☉
" <b>R053EP</b>	Bolt plain head park	2.50 ☉
U. <b>R0256P</b>	Lockwasher park	0.25 ☉
V. <b>0109</b>	Nut park	2.00 ☉
W. <b>R1432-41</b>	Bracket to frame clamp, rear park	n.a. ☉
X. <b>R1432-41M</b>	Bracket to frame clamp, front park	n.a. ☉
Y. <b>R1430-41M</b>	Bracket, air cleaner mount n.a.	n.a. ☉



## Generator

B.	<b>R1527-30</b>	Gasket, generator	'32-'57	0.70 ☼
"	<b>R1527-30.10pack</b>	10 Gaskets, generator		5.00 ☼
C.	<b>R30144-32</b>	Shim, under generator, paper	'32-'57	1.88 ☼
		(in general one paper shim will work, don't forget to check gear lash)		
D.	<b>R1500-32</b>	Nameplate, with rivets	" MODEL 32E"	n.a.



### Mounting Screws

#### '32-'57 models, 1/4"-24 thread

E.	<b>R1523-32P</b>	Mounting screw	park	3.75 ☼
"	<b>1523-32CAD</b>	Mounting screw	cad	3.50 ☼
"	<b>R1523-32</b>	Mounting screw	cad	3.75 ☼
"	<b>R1523-32C</b>	Mounting screw	chrome	5.00 ☼
"	<b>R1523-32phill</b>	Screw, Phillips head	cad	4.38 ☼
"	<b>R1523-32Cphill</b>	Screw, Phillips head	chrome	5.00 ☼

#### '58-'65 models, 5/16"-24 thread

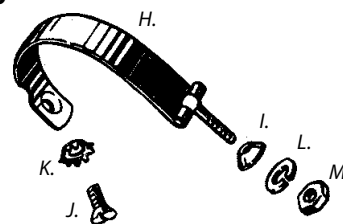
"	<b>30013-58</b>	Mounting screw	cad	9.00 ☼
"	<b>R30013-58</b>	Mounting screw	cad	4.69 ☼
"	<b>R30013-58C</b>	Mounting screw	chrome	6.25 ☼

For '58-up generator parts  
see Panhead catalog.

### Thread Repair

<b>M1421T</b>	Tap 1/4"-24			7.00 ☼
<b>H5540-4</b>	Heli-Coil thread repair kit	1/4"-24	125.00 ☼	
<b>HR389-4</b>	Set Heli-Coil inserts (12)		25.00 ☼	
<b>M6117D</b>	Drill, use with kit	17/64"	5.00 ☼	
<b>M1429T</b>	Tap 5/16"-24			n.a.
<b>H5528-5</b>	Heli-Coil thread repair kit	5/16"-24	65.00 ☼	
<b>HR1191-5</b>	Set Heli-Coil inserts (12)		21.00 ☼	
<b>M6121D</b>	Drill, use with kit	21/64"	9.00 ☼	

### Generator Mounting Strap



H.	<b>1528-30</b>	Strap	black	'32-'57	n.a.
"	<b>R1528-30C</b>	Strap	chrome	'32-'57	n.a.
I.	<b>R1529-30P</b>	Washer, strap	park	'32-'57	2.06 ☼
"	<b>R1529-30</b>	Washer, strap	cad	'32-'57	2.06 ☼
J.	<b>058</b>	Screw		'32-'57	3.00 ☼
K.	<b>R0370P</b>	Lockwasher	park	'32-'57	0.50
"	<b>R0370</b>	Lockwasher	zinc	'32-'57	0.30
L.	<b>R0259P</b>	Lockwasher	park	'32-'57	0.25 ☼
"	<b>R0259</b>	Lockwasher	zinc	'32-'57	0.25 ☼
M.	<b>R0117P</b>	Nut, strap	park	'32-'57	1.19 ☼
"	<b>R0117M</b>	Nut, strap	cad	'32-'57	1.25 ☼
"	<b>R0117C</b>	Nut, strap	chrome	'32-'57	0.94 ☼
N.	<b>R632-37</b>	Generator gear		'37-'57	n.a.
O.	<b>R634-32</b>	Pin		'32-'57	n.a.

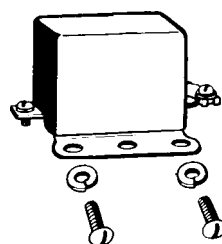
F.	<b>1696-32</b>	Cover, commutator	black	'32-'57	n.a.
"	<b>R1696-32C</b>	Cover, commutator	chrome	'32-'57	n.a.
G.	<b>R037P</b>	Screw	park	'32-'57	0.63 ☼
"	<b>R037</b>	Screw	cad	'32-'57	0.69 ☼
"	<b>R037C</b>	Screw	chrome	'32-'57	1.13 ☼
<b>1699-46</b>	Gasket/retainer for 1696-32	WLA '46-'52		10.00 ☼	
<b>1700-46</b>	Washer, for B037	WLA '46-'52		0.50 ☼	

### Relay

Use with 32E three-brush generator - **v-tronic**

Electronic, not mechanical, this is the one that works!

<b>R4785-26</b>	Relay, without cover		'29-'37	47.00
<b>R4786-26DR</b>	Cover	black	'29-'37	23.50
<b>R4786-26DRC</b>	Cover	chrome	'29-'37	25.00
<b>R4785-38</b>	Relay, without cover		'38-'57	45.00
<b>R4786-38DR</b>	Cover	black	'38-'57	20.00
<b>R4786-38DRC</b>	Cover	chrome	'38-'57	21.00
<b>R051P</b>	Mounting screw	park		1.44 ☼
<b>R051</b>	Mounting screw	cad		1.50 ☼
<b>R051C</b>	Mounting screw	chrome		2.63 ☼

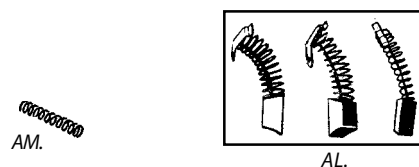
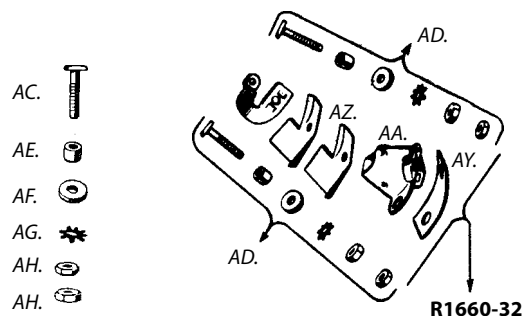
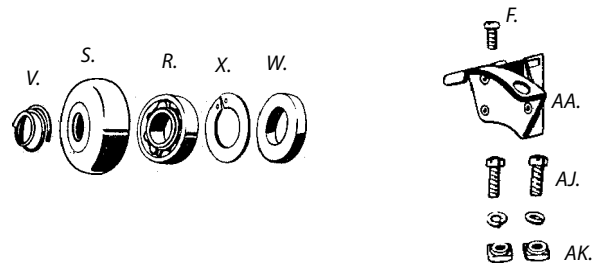
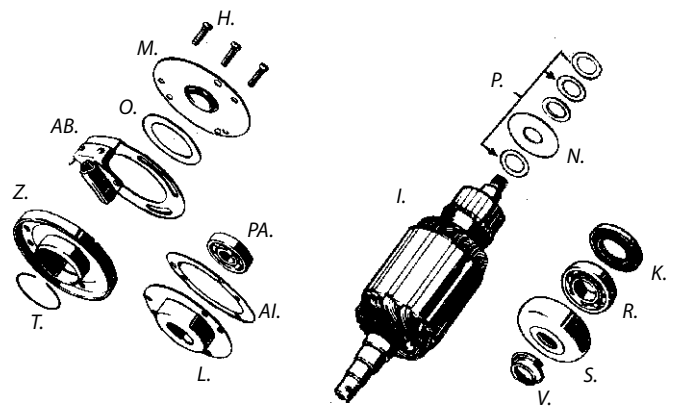
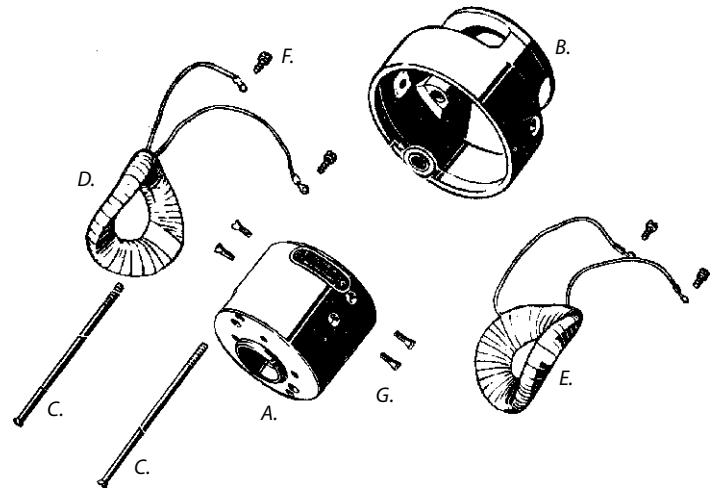


'29-'37  
(two-post)

'38-'57  
(three-post)



A.	<b>1504-32M</b>	Frame, includes field coils	'32-'48	n.a.
B.	<b>1505-32</b>	End, frame	'32-'57	n.a.
C.	<b>R1506-32</b>	Screw, frame	12-24 '32-'57	8.13 ☉
	<b>H5521-1</b>	Heli-Coil repair kit	12-24 thread	57.00 ☉
	<b>M6115D</b>	Drill, use with kit	15/64"	n.a.
D.	<b>R1507-32</b>	Field coil, shunt, white dot	'32-'51	32.00
E.	<b>R1508-32</b>	Field coil, regulating, orange	'32-'51	32.00
	<b>R1509-64</b>	Set 12 volt coils	'32-'57	63.00
		(for use with 12 Volt armature in 32E housing)		
F.	<b>R010Z</b>	Screw	'32-'57	0.30
G.	<b>1512-18</b>	Screw, pole shoe	'18-'57	3.00 ☉
"	<b>R1512-18</b>	Screw, pole shoe	'18-'57	2.06 ☉
H.	<b>R037</b>	Screw, retainer	cad '32-'57	0.69 ☉
I.	<b>R1636-32</b>	Armature, 6V	'32-'57	n.a.
J.	<b>0129</b>	Nut, armature	park '29-'57	1.50 ☉
"	<b>R0129P</b>	Nut, armature	park '29-'57	1.44 ☉
K.	<b>1637-46</b>	Oil seal, armature	metal O.D.	7.00 ☉
"	<b>R1637-46</b>	Oil seal, armature		2.20 ☉
"	<b>R1637-46.10pack</b>	10 Oil seals		15.00 ☉
L.	<b>1641-30A</b>	Oil retainer, inner	'32-'57	7.00 ☉
M.	<b>1641-33</b>	Oil retainer, outer	'32-'57	7.00 ☉
N.	<b>R1642-29</b>	Armature end washer, fiber	'29-'50	3.75 ☉
O.	<b>R1642-30</b>	Gasket, bearing housing	'32-'57	1.30 ☉
P.	<b>R1643-29</b>	Washer (.033")	'29-'50	0.80 ☉
"	<b>R1643-29S</b>	Washer (.070")	'29-'50	0.80 ☉
"	<b>1643-30</b>	Washer (.072")	'30-'50	2.00 ☉
PA.	<b>R1644-18</b>	Bearing, small	'18-'57	10.00
R.	<b>R1644-30</b>	Bearing, large	'30-'57	11.00
S.	<b>R1646-31</b>	Oil deflector	'32-'57	9.00 ☉
T.	<b>1647-29A</b>	Ring, bearing plate spring	'29-'57	2.00 ☉
U.	<b>1647-31A</b>	Rivet, bearing housing	'32-'57	0.50 ☉
V.	<b>1647-31B</b>	Spring, drive end	'32-'57	4.00 ☉
"	<b>R1647-31B</b>	Spring, drive end	'32-'57	1.00
W.	<b>1647-31C</b>	Felt washer, drive end	'32-'47	1.50 ☉
X.	<b>1647-31D</b>	Ring, drive end spring	'32-'57	3.00 ☉
Y.	<b>1647-31E</b>	Plate, drive end felt washer	'32-'57	5.00 ☉
Z.	<b>1647-32</b>	Housing, drive end bearing	'32-'47	17.00 ☉
	<b>R1660-32</b>	Positive brush holder ass.	'32-'51	n.a.
AA.	<b>1661-32</b>	Holder, main brush	'32-'51	12.00 ☉
AB.	<b>1662-32</b>	Holder, third brush	'32-'47	n.a. ☉
F.	<b>R010Z</b>	Screw	'32-'52	0.30
AY.	<b>R1663-32</b>	Insulation, brush holder	'32-'57	0.85
AZ.	<b>R1663-32A</b>	Insulation, field coil terminal	'32-'57	0.60
AC.	<b>1664-32</b>	Screw, positive terminal	'32-'57	7.00 ☉
"	<b>R1664-32</b>	Screw, positive terminal	'32-'57	6.25 ☉
AD.	<b>R1664-32A</b>	Terminal screw with fittings	'32-'57	10.31 ☉
AE.	<b>1665-32</b>	Bushing	'32-'57	2.50 ☉
"	<b>R1665-32</b>	Bushing	'32-'57	1.88 ☉
AF.	<b>R1666-32</b>	Washer, insulating	'32-'57	1.75 ☉
AG.	<b>R0354</b>	Lockwasher	'32-'57	0.20
AH.	<b>0105cop</b>	Nut, terminals 10-32	copper	0.70 ☉
"	<b>0105copM</b>	Nut, terminals "machined"	copper	1.30 ☉
	<b>M6131DI</b>	Die, 10-32 thread		n.a. ☉
AI.	<b>1697-30</b>	Gasket	'32-'57	1.00 ☉
AJ.	<b>R036</b>	Screw, terminal	cad '29-'57	0.69 ☉
AK.	<b>1667-32</b>	Nut, brush holder	'32-'57	1.50 ☉
AL.	<b>1669-32A</b>	Brushes, set (3)	'32-'52	20.00 ☉
"	<b>R1669-32A</b>	Brushes, set (3)	'32-'52	10.00
"	<b>R30425-51</b>	Brushes, set (3)	'52-'57	8.00
AM.	<b>R1674-26</b>	Spring, third brush	'32-'52	1.00
"	<b>R1674-32</b>	Spring, main brush	'32-'52	1.00



# Circuit Breaker (Timer)

A.	<b>1540-37</b>	Housing, shaft & timer gear	'37-'46	75.00	✳
B.	<b>1540-37A</b>	Housing, with bushings	'37-'46	35.00	✳
C.	<b>1541-37</b>	Gasket, timer base	'37-'65	1.00	✳
	<b>R11102</b>	O-ring, timer base	'66-'73	0.55	✳
D.	<b>1542-36</b>	Bushing, timer shaft	'37-'73	15.00	✳
E.	<b>1546-37</b>	Shaft, timer drive	'37-'63	35.00	✳
F.	<b>1547-36</b>	Gear, timer shaft	'37-'73	20.00	✳
"	<b>R1547-36</b>	Gear, timer shaft	'37-'73	7.00	
G.	<b>1548-36</b>	Pin, timer shaft	'37-'73	1.00	✳
H.	<b>32535-48</b>	Thrust washer .062"	'37-'73	4.50	✳
"	<b>R32535-48</b>	Thrust washer .062"	'37-'73	2.50	✳
"	<b>32536-48</b>	Thrust washer .066"	'37-'73	4.50	✳
"	<b>R32536-48</b>	Thrust washer .066"	'37-'73	2.50	✳
"	<b>32537-48</b>	Thrust washer .072"	'37-'73	4.50	✳
"	<b>R32537-48</b>	Thrust washer .072"	'37-'73	2.50	✳
"	<b>32538-48</b>	Thrust washer .076"	'37-'73	✳	
"	<b>R32538-48</b>	Thrust washer .076"	'37-'73	2.50	✳
"	<b>R32538-KIT</b>	Set of washers .062"-.076"	'37-'73	9.00	✳

J.	<b>R1567-36C</b>	Cover	chrome	'36-'63	14.00	
K.	<b>R1568-36A</b>	Retainer, base		'36-'63	10.00	
L.	<b>R1568-36</b>	Retainer, cover	zinc	'36-'63	4.00	
"	<b>R1568-36C</b>	Retainer, cover	chrome	'36-'63	4.50	
M.	<b>R1569-30A</b>	Points set (with spring)		'30-'48	9.00	
"	<b>R1569-30A.10pack</b>	10 Points sets		'30-'48	67.50	
N.	<b>R1574-30</b>	Spring, breaker points		'30-'48	0.70	✳

	<b>R30605-48</b>	Points set, breaker		'49-'73	4.00	
	<b>R30605-48.10pack</b>	10 Points sets		'49-'73	31.00	
	<b>32661-70</b>	Points set, breaker	late style		27.00	
	<b>R32661-70</b>	Points set, breaker	late style		5.00	
	<b>R1571-30</b>	Rebuild kit (stud with tool)		'30-'48	23.75	✳
	<b>R1571-30A</b>	Rebuild kit (without tool)		'30-'48	20.00	✳
	<b>C8849-2</b>	Rebuild kit (stud with tool)		'49-'73	12.50	✳
P.	<b>R1629-30</b>	Condenser		'30-'48	5.00	
"	<b>R1629-30.10pack</b>	10 Condensers		'30-'48	40.00	
	<b>R1629-47</b>	Condenser		'49-'73	3.00	
	<b>R1629-47.10pack</b>	10 Condensers		'49-'73	24.00	

Note: this condenser also fits '30-'48 models.

R.	<b>1615-42M</b>	Timer stud		'37-'48	3.00	✳
"	<b>R1615-49</b>	Timer stud		'49-'63	6.25	✳
	<b>R1615-36A</b>	Insulator washer		'37-'63	1.88	✳
S.	<b>R1618-30</b>	Washer, insulating		'37-'73	1.88	✳
T.	<b>R1627-36</b>	Strap assembly	zinc	'37-'46	29.50	
U.	<b>R1627-37A</b>	Bracket, timer	zinc	'37-'46	9.75	
"	<b>R1627-37AC</b>	Bracket, timer	chrome	'37-'46	11.50	

W.	<b>R1630-36</b>	Control strap only		'37-'46	5.00	
X.	<b>R1632-36</b>	Screw, strap end		'37-'46	n.a.	
Y.	<b>1634-36</b>	Stud, timer lever		'37-'46	7.00	✳
	<b>R1578-47</b>	Stud and screw, adjusting		'47-'63	12.50	✳
	<b>R1579-47</b>	Plate, adjusting screw		'47-'63	17.50	✳
Z.	<b>R1613-30A</b>	Wire, circuit breaker	WLC/civilian		18.50	
"	<b>1613-30</b>	Wire, circuit breaker	WLA	'42-'52	16.00	✳

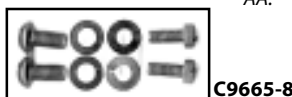
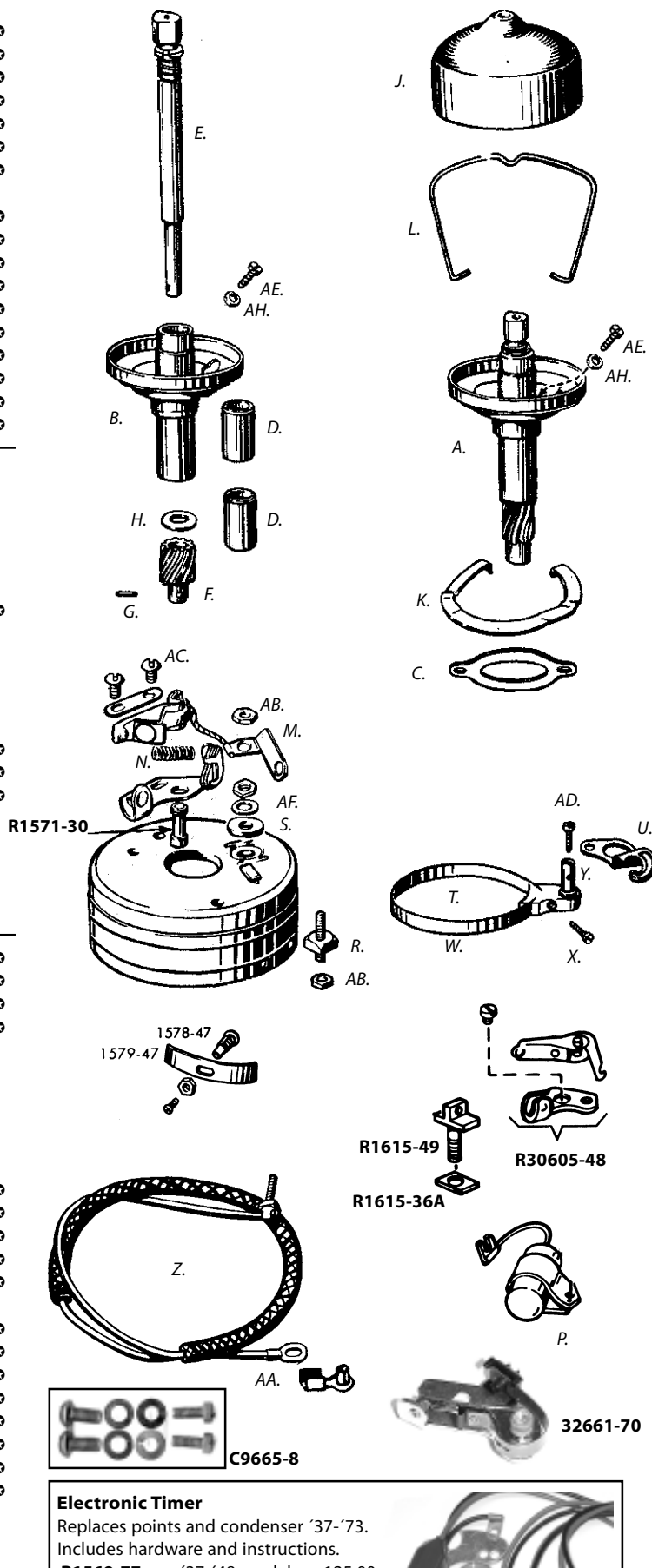
(shielded cable, radio noise suppression)

AA.	<b>1614-18</b>	Terminal and eyelet		'18-'47	3.00	✳
	<b>C2542-10</b>	Wire with stud and insulators		'37-'48	31.25	✳
	<b>C2543-10</b>	Wire with stud and insulators		'49-'63	30.00	✳
AB.	<b>R0103Z</b>	Nut	zinc		0.40	✳
AC.	<b>R018</b>	Screw	cad		0.63	✳
AD.	<b>R021</b>	Screw	cad		0.63	✳
AE.	<b>R042P</b>	Screw	park		0.63	✳
"	<b>R042</b>	Screw	cad		0.69	✳
AF.	<b>R0201A</b>	Washer	brass		0.50	
AG.	<b>R0254</b>	Lockwasher	zinc		0.20	
AH.	<b>R0255</b>	Lockwasher	zinc		0.20	

## Mounting Kits

Includes 2 timer mounting screws and 2 relay mounting screws.

	<b>C9665-8</b>	Screw kit	park		6.88	✳
	<b>C9415-8</b>	Screw kit	cad		6.56	✳
	<b>C9414-8</b>	Screw kit	chrome		8.13	✳



## Electronic Timer

Replaces points and condenser '37-'73. Includes hardware and instructions.

<b>R1569-77</b>	'37-'48 models	125.00
<b>R1569-64</b>	w/auto advance	155.00

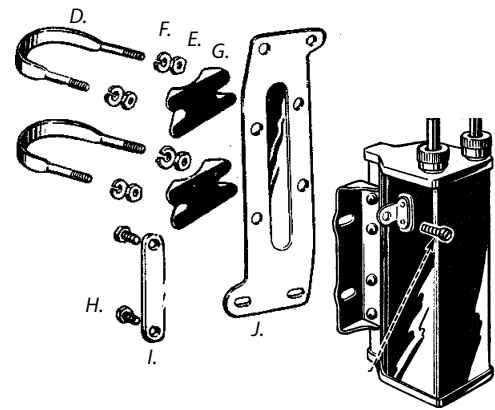
<b>R1569-77A</b>	'49-'73 models	145.00
<b>R1569-64A</b>	w/auto advance	160.00



**Spark Coils**

**Round model**, includes '48-up bracket, custom fit on earlier models

A.	<b>R1722-29K6</b>	Coil with cables	6 Volt	black	34.00
"	<b>R1722-29K6.5pack</b>	5 Coils with cables			145.00
"	<b>R1722-29K6.10pack</b>	10 Coils with cables			255.00



**Mounting Parts '30-'47**

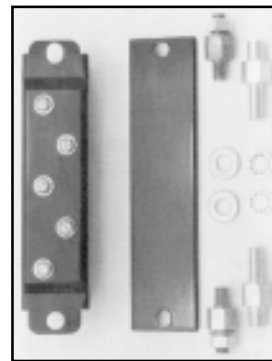
D.	<b>R1723-29</b>	U-bolt, with nuts	park	13.75	⊗
"	<b>R0107P</b>	Nut	park	1.13	⊗
"	<b>R0107</b>	Nut	cad	1.19	⊗
"	<b>R0107C</b>	Nut	chrome	1.13	⊗
F.	<b>R0256P</b>	Lockwasher	park	0.25	⊗
"	<b>R0256</b>	Lockwasher	zinc	0.25	⊗
"	<b>R0256C</b>	Lockwasher	chrome	0.38	⊗
G.	<b>R1724-29</b>	Strap, for U-bolt	park	13.75	⊗
H.	<b>R1725-30P</b>	Bolt, coil mounting plate	park	1.88	⊗
I.	<b>R1726-30P</b>	Screw plate	park	5.63	⊗
J.	<b>1728-30</b>	Plate, coil mounting		22.00	⊗
"	<b>R1728-30</b>	Plate, coil mounting		14.38	⊗
	<b>R021</b>	Screw, terminal	cad '29-'63	0.63	⊗
	<b>C2327-23</b>	Mounting kit	'30-'47	73.75	⊗



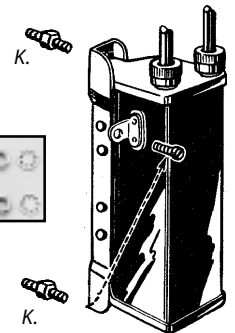
C2327-23



C8823-10

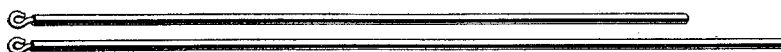


C8005-12

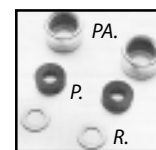


**Mounting Parts '48-'73**

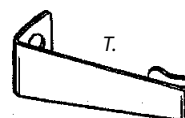
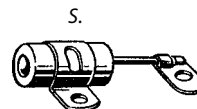
K.	<b>4592-48</b>	Stud, coil mounting	'48-'70	6.00	⊗
	<b>C8823-10</b>	Coil mounting stud kit (2)	'48-'70	14.38	⊗
	<b>C8824-8</b>	Coil mounting stud kit (2)	'71-'73	15.63	⊗
	<b>C8005-12</b>	Terminal box assembly		66.25	⊗
	<b>R4593-48</b>	Insulating gasket		7.50	⊗



L.	<b>R1596-32</b>	Kit, spark plug cable	'32-'60	n.a.	
	<b>R1596-30</b>	Spark plug cable, rubber	per meter	6.00	⊗
P.	<b>R1599-27</b>	Rubber seal	'27-'59	2.50	⊗
PA.	<b>R1599-27A</b>	Packing nut	cad '27-'59	8.75	⊗
R.	<b>R0211P</b>	Washer	'27-'59	0.63	⊗
	<b>C7804-6</b>	Set nuts & washers	cad '27-'59	22.50	⊗
S.	<b>1600-44</b>	Capacitor, gen. & spark coil	WLA '44-'52	10.00	⊗
		(radio noise suppression)			
T.	<b>R1602-37</b>	Bracket, cable	park '37-'73	13.75	⊗
		(bracket mounts to top motor mount bolt)			



C7804-6

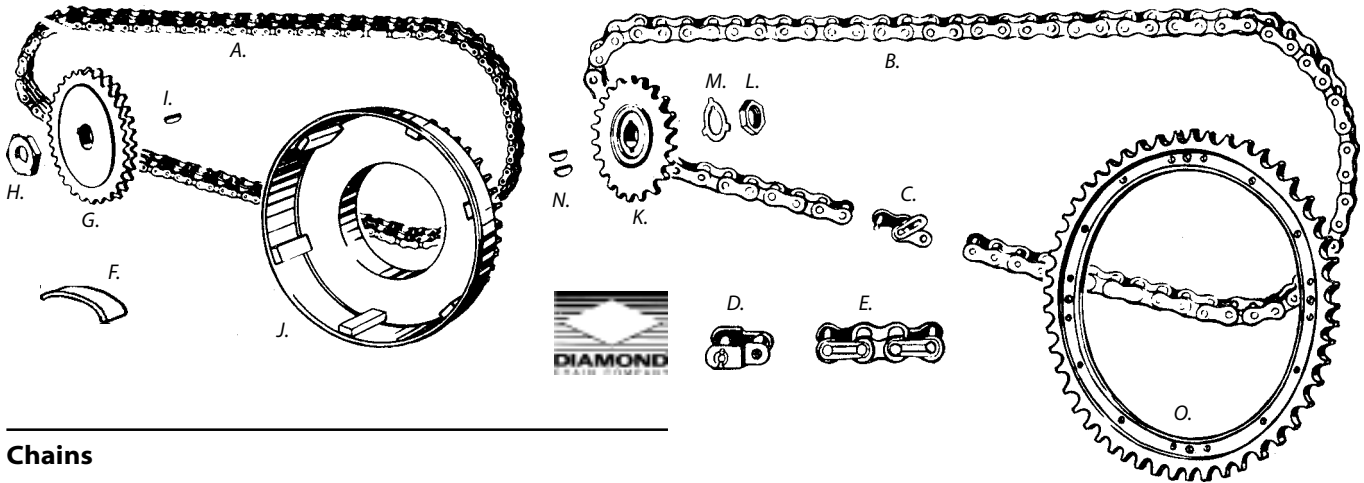


**Spark Plugs**

U.	<b>R37-09D14</b>	no.3	Champion	'29-'55	18mm	4.50
"	<b>R37-09A-7</b>	no.4	NGK-A7	'29-'55	18mm	3.50

Note: No.3 heat range is for standard use.

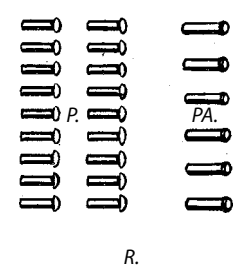
# Chains & Sprockets



## Chains

A.	<b>R2001-29</b>	Front chain 100 links	'29-'52	55.00	⊛
"	<b>R2001-38D</b>	Front chain 96 links	Servi-car (for use with 22T motor sprocket)	n.a.	⊛
B.	<b>R2003-102</b>	Rear chain 102 links		65.00	⊛
"	<b>R2003-102.2packs</b>	2 Rear chains	102 links	110.00	⊛
"	<b>R2003-102.4packs</b>	4 Rear chains	102 links	180.00	⊛
"	<b>R2003-106</b>	Rear chain 106 links		50.00	⊛
	<b>2015-29</b>	Link, double repair	"Duckworth" front	3.00	⊛
	<b>2014-29</b>	Link, double repair	"Diamond" front	3.00	⊛
C.	<b>2006-15</b>	Link, connecting	"Diamond" rear	3.00	⊛
D.	<b>2012-15</b>	Link, offset repair	"Diamond" rear	n.a.	⊛
E.	<b>2015-15</b>	Link, double repair	"Duckworth" rear	5.00	⊛

<b>R12039-38</b>	Chain tool	6.00
	(rear chain only)	
<b>R12039-X</b>	Chain tool	12.00
	(front/rear chain)	



## Front Chain Sprockets

G.	<b>R2030-29D</b>	Motor sprocket	22T	21.00		
"	<b>2030-29E</b>	Motor sprocket	27T	27.00	⊛	
"	<b>R2030-29B</b>	Motor sprocket	29T	22.00		
"	<b>2030-29F</b>	Motor sprocket	30T	60.00	⊛	
"	<b>2031-29A</b>	Motor sprocket	31T	n.a.	⊛	
"	<b>R2029-29A</b>	Motor sprocket	32T	n.a.		
"	<b>R2031-29B</b>	Motor sprocket	33T	n.a.		
H.	<b>2050-12</b>	Nut, sprocket	5/8" -18	'29-'73	7.00	⊛
"	<b>R361-12</b>	Key, motor sprocket		'29-'73	2.75	
J.	<b>R2039-41A</b>	Clutch sprocket, 59 T		'41-'63	75.00	
	<b>37703-65</b>	Sprocket only			75.00	⊛

Note: this is the sprocket with bearing surface (one piece), must be riveted to clutch housing, made for use on electric start clutch housing, for kick starters a spacer must be made to compensate for the starter ring gear.



## Rear Chain Sprockets

K.	<b>R2035-33</b>	Sprocket 16T (incl.oil seal)	'35-'73	n.a.	
"	<b>2035-41</b>	Sprocket 17T (incl.oil seal)	'41-'73	12.00	⊛
	<b>2524-41</b>	Oil seal, for sprocket	'41-'73	7.00	⊛
L.	<b>364-37</b>	Nut, sprocket	'41-'73	4.00	⊛
M.	<b>2278-26</b>	Lockwasher	'29-'73	1.50	⊛
N.	<b>2279-26</b>	Key	'29-'73	2.00	⊛
O.	<b>R2043-35</b>	Sprocket kit 41T	'35-'52	44.00	
		(includes dust ring, dowel pins and rivets)			
	<b>4034-35</b>	Dust ring only	'35-'52	8.00	⊛
P.	<b>R4033-35</b>	Rivet, rear sprocket		0.25	⊛
PA.	<b>R2048-30</b>	Dowel pin, rear sprocket		1.00	⊛
R.	<b>R2042-35kit</b>	Rivet and dowel pin kit (18 + 6)		9.00	⊛

## Factory Gear Ratio/Sprocket Size, '35-'73

	Motor	Clutch	Trans	Rear	Ratio
Solo '35-'40	33	59	16	41	4.58
'42-'43 WLC	30	59	17	41	4.74
'45-'52 WLA					
'41 WL South-Africa					
'47-'52 WL with #6 alu heads					
'41-'52 other models	31	59	17	41	4.59
Sidecar '35-'40	29	59	16	41	5.21
'41-'52	27	59	17	41	5.27
Servi-car '35-'39	26	63	16	37	5.60
1940	24	59	16	37	5.68
'41-'73	22	59	17	37	5.85

**R2234** Primary locking tool 75.00 ⊛  
Fits between motor sprocket and primary chain without damaging teeth.  
(to lock primary drive for tightening nuts)

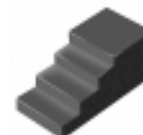


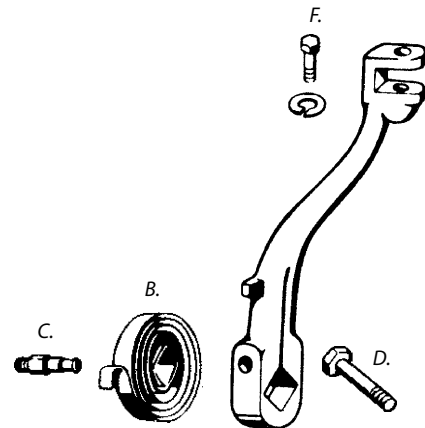
Рис. 2. Вилка мотоциклов

## Starter Crank

	<b>2084-28</b>	Spring	rusty	'29-'40	n.a.
B.	<b>R2084-41</b>	Spring	bare	'41-'63	7.50
"	<b>R2084-41C</b>	Spring	chrome	'41-'63	12.00
C.	<b>2086-41</b>	Stud	park	'41-'63	6.50 ☉
"	<b>R2086-41P</b>	Stud	park	'41-'63	8.13 ☉
"	<b>R2086-41</b>	Stud	cad	'41-'63	8.13 ☉
"	<b>R2086-41C</b>	Stud	chrome	'41-'63	10.00 ☉
D.	<b>R2078-26P</b>	Bolt, starter crank	park		6.56 ☉
"	<b>R2078-26</b>	Bolt, starter crank	cad		6.88 ☉
"	<b>R2078-26C</b>	Bolt, starter crank	chrome		7.50 ☉
"	<b>R2078-44P</b>	Bolt, '44-'52 starter crank	park		9.38 ☉
"	<b>R2078-44C</b>	Bolt, '44-'52 starter crank	chrome		12.50 ☉

<b>0129</b>	Nut	park	1.50	<b>R0261P</b>	Lockwasher park	0.25
<b>R0129P</b>	Nut	park	1.44	<b>R0261</b>	Lockwasher cad	0.25
<b>R0129</b>	Nut	cad	1.56	<b>R0261C</b>	Lockwasher chrome	0.38
<b>R0129C</b>	Nut	chrome	1.75			

F.	<b>2100-16</b>	Bolt, pedal to crank	park	8.00 ☉	("dome" head as on '41 and earlier models)
"	<b>R2100-16C</b>	Bolt, pedal to crank	chrome	9.38 ☉	("dome" head as on '41 and earlier models)
"	<b>2100-41</b>	Bolt, pedal to crank	park	10.00 ☉	("1035 cp" head as on later models)
"	<b>R2100-41</b>	Bolt, pedal to crank	zinc	1.00	
"	<b>R2100-41C</b>	Bolt, pedal to crank	chrome	1.50	
	<b>R2108-32</b>	Bushing, starter shaft	Servi-car '32-'63	20.00 ☉	



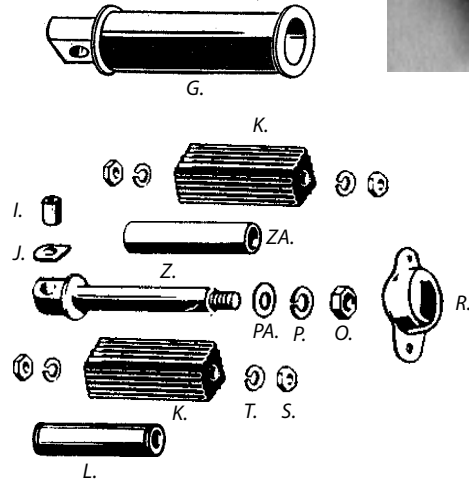
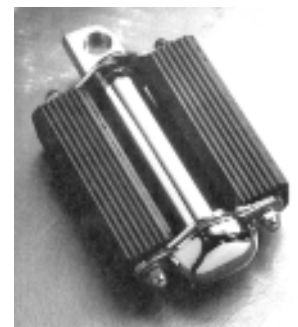
## Starter Pedal

G.	<b>2091-16</b>	Starter pedal	military type	n.a.
"	<b>R2091-16chrGR</b>	Starter pedal, w.grooves	chrome	17.00
H.	<b>R2092-16C</b>	Starter pedal	bicycle type chrome with black rubbers	n.a.
I.	<b>R2101-31</b>	Bushing, pedal pin		1.00
J.	<b>R2102-30</b>	Spring washer, pedal pin		0.70
K.	<b>R2092-17</b>	Rubber, pedal	black	10.00 ☉
"	<b>R2092-17B</b>	Rubber, pedal	blue	5.00
"	<b>R2092-17G</b>	Rubber, pedal	green	5.00
"	<b>R2092-17R</b>	Rubber, pedal	red	5.00
"	<b>R2092-17W</b>	Rubber, pedal	white	n.a.
L.	<b>2092-42</b>	Steel tube	park	6.00 ☉
"	<b>R2092-42C</b>	Steel tube	chrome	7.00 ☉

Steel tubes replace rubbers on non-military wartime & '42 WLC models.

	<b>R2093-17P</b>	Rod, pedal rubber	park	10.00 ☉
	<b>R2093-17</b>	Rod, pedal rubber	cad	10.00 ☉
Z.	<b>R2095-16</b>	Pedal axle	park	30.00 ☉
O.	<b>0129</b>	Nut	park	1.50 ☉
P.	<b>R0261P</b>	Lockwasher	park	0.25 ☉
PA.	<b>R0224P</b>	Washer	park	0.63 ☉
ZA.	<b>R2096-17P</b>	Cover, pedal axle	park	8.13 ☉
"	<b>R2096-17</b>	Cover, pedal axle	cad	8.13 ☉
R.	<b>R2099-29P</b>	End cover	park	12.50 ☉
"	<b>R2099-29</b>	End cover	cad	12.50 ☉

(*"dome"* head as on '41 and earlier models)  
(*"dome"* head as on '41 and earlier models)  
(*"1035 cp"* head as on later models)



S.	<b>R0104P</b>	Nut	park	0.50 ☉
"	<b>R0104</b>	Nut	cad	0.50 ☉
"	<b>R0104C</b>	Nut	chrome	0.75 ☉
T.	<b>R0254P</b>	Lockwasher	park	0.25 ☉
"	<b>R0254</b>	Lockwasher	zinc	0.20 ☉
"	<b>R0254C</b>	Lockwasher	chrome	0.38 ☉

## "Plastic Pedal" Parts

U.	<b>2095-45</b>	Pedal axle, for plastic block pedal	18.00 ☉ (with groove for spring clip)
V.	<b>2096-45</b>	Pedal axle spring retainer	7.00 ☉

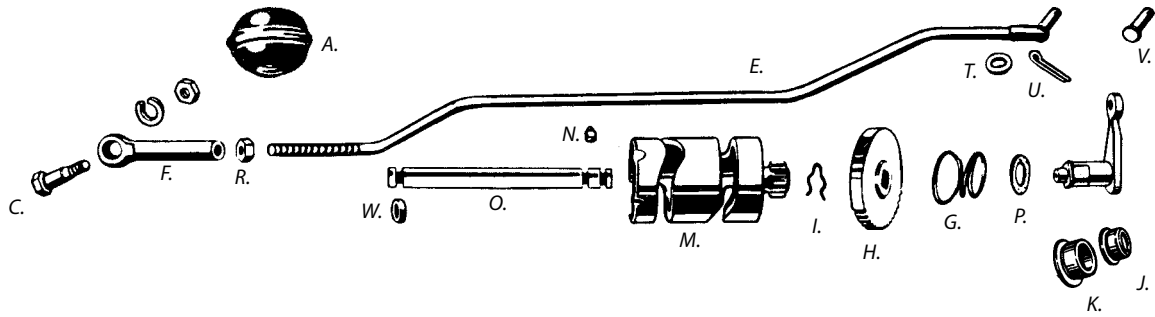


## Late-style Pedal

X.	<b>R33175-16A</b>	Starter pedal (no logo)	black	15.00
	<b>33182-63A</b>	Replacement rubber	black	32.00 ☉
		Inscription "Harley-Davidson"		
	<b>33182-63TA</b>	Replacement rubber	black	n.a.
		Inscription "Harley-Davidson"		
	<b>R33182-63</b>	Replacement rubber (no logo)		6.00
	<b>R33182-63.5pack</b>	5 Replacement rubbers (no logo)		24.00



# Shifter Parts



A.	<b>2205-31</b>	Ball, gear shifter	black	'31-'73	n.a.
		'41-up style, inscription on bottom "chicago" and "daka-ware"			
"	<b>R2205-31B</b>	Ball, gear shifter	brass	'31-'73	n.a.
"	<b>R2205-31C</b>	Ball, gear shifter	chrome	'31-'73	n.a.
	<b>C2581-6</b>	Stud, shifter lever	cad	'36-'37	21.25 ☼
B.	<b>2206-37</b>	Stud, shifter lever	park	'37-'46	9.00 ☼
"	<b>2206-37cad</b>	Stud, shifter lever	cad	'37-'46	11.00 ☼
"	<b>33775-37</b>	Stud with bushing	zinc	'37-'73	19.00 ☼
"	<b>R2206-37P</b>	Stud kit	park	'37-'73	20.00 ☼
"	<b>R2206-37</b>	Stud kit	cad	'37-'73	20.00 ☼
"	<b>R2206-37C</b>	Stud kit	chrome	'37-'73	25.00 ☼
	<b>R2207-47</b>	Bushing		'47-'73	7.50 ☼

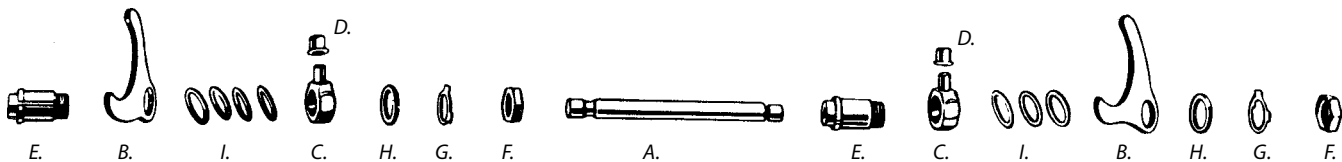


C.	<b>2225-36</b>	Bolt, shifter rod end	park	'37-'73	16.00 ☼
"	<b>R2225-36P</b>	Bolt, with nut	park	'37-'73	10.00 ☼
"	<b>R2225-36</b>	Bolt, with nut	cad	'37-'73	10.00 ☼
"	<b>R2225-36C</b>	Bolt, with nut	chrome	'37-'73	12.50 ☼
D.	<b>R2210-36P</b>	Screw, shifter guide	park	'37-'46	3.13 ☼
"	<b>R2210-36</b>	Screw, shifter guide	cad	'37-'46	3.13 ☼
"	<b>R2210-36C</b>	Screw, shifter guide	chrome	'37-'46	3.44 ☼
	<b>R054WZ</b>	Bolt, shifter guide	zinc	'47-'73	0.50 ☼
	<b>R054WC</b>	Bolt, shifter guide	chrome	'47-'73	1.30 ☼
E.	<b>R2212-36</b>	Shift rod	cad	'36	28.00 ☼
"	<b>R2212-37</b>	Shift rod	cad	'37	n.a. ☼
"	<b>R2212-38</b>	Shift rod	cad	'38-'40	n.a. ☼
"	<b>R2212-47P</b>	Shift rod	park	'41-'73	n.a. ☼
"	<b>R2212-47</b>	Shift rod	cad	'41-'73	n.a. ☼
"	<b>R2212-47C</b>	Shift rod	chrome	'41-'73	n.a. ☼

Note: these shift rods do not require pin 2215-41.

F.	<b>R2214-36P</b>	Shifter rod end	park	'37-'50	n.a. ☼
"	<b>R2214-36</b>	Shifter rod end	cad	'37-'50	n.a. ☼
"	<b>R33870-51C</b>	Shifter rod end	chrome	'37-'73	17.00
"	<b>R2214-36i</b>	Shifter rod end	black	'37-'73	6.00
"	<b>R33870-51</b>	Shifter rod end	cad	'51-'73	n.a. ☼
G.	<b>2166-26</b>	Spring, gear shifter		'29-'73	2.20 ☼
"	<b>R2166-26</b>	Spring, gear shifter		'29-'73	☼
H.	<b>2241-41</b>	Gear, shifter		'41-'46	22.00 ☼
I.	<b>2242-38A</b>	Spring, gear retaining		'38-'73	4.50 ☼
"	<b>R2242-38A</b>	Spring, gear retaining		'38-'73	3.75 ☼
J.	<b>R2242-38B</b>	Bushing, shaft (small)		'38-'73	14.00 ☼
K.	<b>R2242-38C</b>	Bushing, shaft (large)		'38-'73	16.00 ☼
M.	<b>2243-40</b>	Cam, shifting		1940	55.00 ☼
"	<b>2243-41</b>	Cam, shifting		'41-'46	57.00 ☼
N.	<b>2244-38A</b>	Lock screw, cam shaft		'38-'73	3.00 ☼
"	<b>R2244-38A</b>	Lock screw, cam shaft		'38-'73	2.50
O.	<b>2244-41</b>	Shaft, shifter cam		'41-'73	n.a.
P.	<b>2245-26</b>	Washer, shifter lever shaft		'29-'73	2.00 ☼
"	<b>R2245-26</b>	Washer, shifter lever shaft		'29-'73	1.00 ☼
W.	<b>R2245-36A</b>	Oil seal, cam shaft		'38-'73	0.90 ☼
"	<b>R2245-36A.10pack</b>	10 Oil seals		'38-'73	7.00 ☼
R.	<b>R0117P</b>	Nut	park		1.19 ☼
"	<b>R0117M</b>	Nut	cad		1.25 ☼
"	<b>R0117C</b>	Nut	chrome		0.94 ☼
S.	<b>R0259P</b>	Lockwasher	park		0.25 ☼
"	<b>R0259</b>	Lockwasher	cad		0.25 ☼
"	<b>R0259C</b>	Lockwasher	chrome		0.38 ☼
T.	<b>R0207P</b>	Washer	park		0.44 ☼
U.	<b>R0290P</b>	Cotter pin	park		0.19 ☼
"	<b>R0290</b>	Cotter pin	zinc		0.15 ☼
V.	<b>R2215-41</b>	Pin, shifter rod	park	'41-'52	3.00

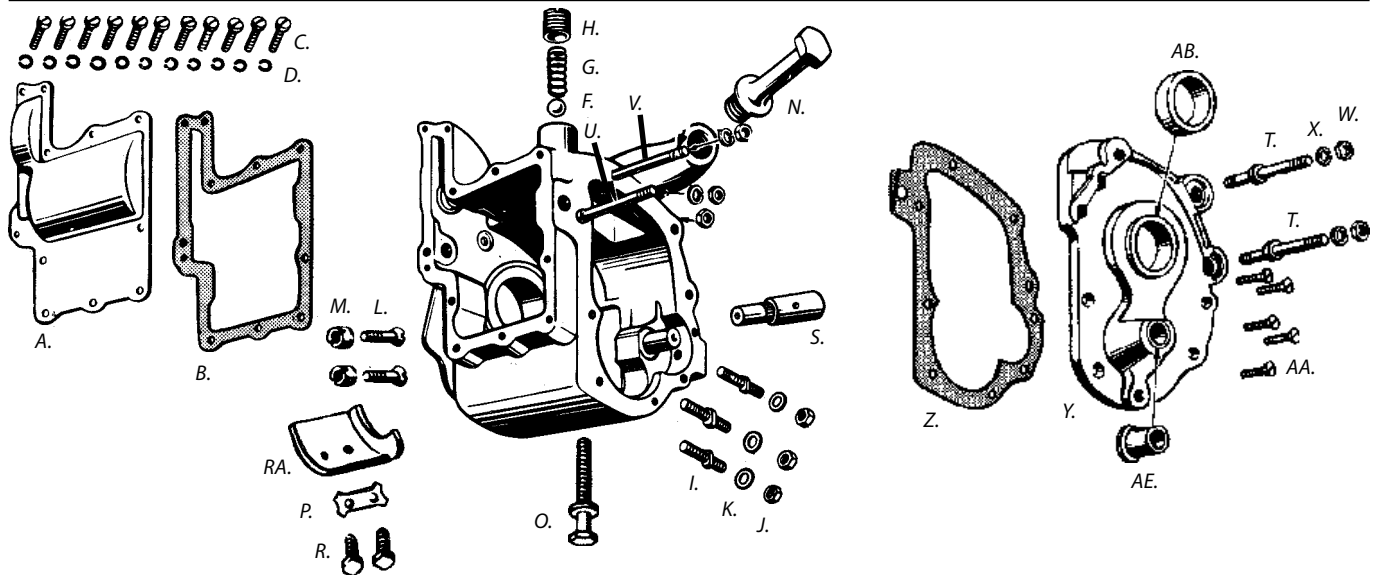
(not needed when using above shift rods)



A.	<b>2245-38</b>	Shaft, shifter fork		'38-'40	n.a. ☼
"	<b>2245-41</b>	Shaft, shifter fork		'41-'73	25.00 ☼
	<b>2246-33</b>	Shifter fork, 2nd and high		'35-'40	30.00 ☼
	<b>2247-33</b>	Shifter fork, low gear		'35-'40	30.00 ☼
B.	<b>R2247-41</b>	Shifter fork		'41-'73	19.00 ☼
C.	<b>R2248-36</b>	Finger, shifting		'40-'73	13.50
D.	<b>2248-39</b>	Roller, shifter finger		'40-'73	4.00 ☼
"	<b>R2248-39</b>	Roller, shifter finger		'40-'73	1.50

E.	<b>R2249-36</b>	Bushing, shifter fork		1940	12.50
"	<b>2249-41</b>	Bushing, shifter fork		'41-'73	15.00 ☼
F.	<b>2250-33</b>	Nut, shifter fork bushing		'35-'73	4.00 ☼
"	<b>R2250-33</b>	Nut, shifter fork bushing		'35-'73	3.00 ☼
G.	<b>2251-33</b>	Lockwasher		'35-'73	2.00 ☼
"	<b>R2251-33</b>	Lockwasher		'35-'73	1.15
H.	<b>2253-33</b>	Spacer	.083"	'35-'73	2.00 ☼
"	<b>R2253-33</b>	Spacer	.093"	'35-'73	1.25 ☼
I.	<b>R2253-33A</b>	Shim, spacer	.014"	'35-'73	0.80 ☼
"	<b>R2253-33B</b>	Shim, spacer	.007"	'35-'73	0.80 ☼





A.	<b>2270-41</b>	Cover, inspection hole	'41-'63	n.a.
B.	<b>2271-41</b>	Gasket, top cover	'41-'65	1.50 ☉
	<b>2271-41.10pack</b>	10 Gaskets	'41-'65	11.00 ☉
C.	<b>R032P</b>	Screw, top cover park	'35-'63	0.63 ☉
	<b>R032</b>	Screw, top cover cad	'35-'63	0.69 ☉
	<b>R032C</b>	Screw, top cover chrome	'35-'63	0.81 ☉
	<b>R032allen</b>	Allen head screw chrome	'35-'63	0.80 ☉
D.	<b>0253</b>	Lockwasher park	'35-'63	0.25 ☉
	<b>0253.100pack</b>	Bag with 100 lockwashers		20.00 ☉
	<b>1790W</b>	Screw, countersunk zinc	'65-'73	6.00 ☉
	<b>1792W</b>	Screw, countersunk zinc	'65-'73	7.00 ☉
F.	<b>R2251-36</b>	Ball, cam plunger	'40-'73	1.00 ☉
G.	<b>2251-36A</b>	Spring, plunger ball	'40-'73	1.50 ☉
H.	<b>R2251-36B</b>	Cam plunger cap screw	'40-'73	n.a.
	<b>C9983-3</b>	Shifter cam plunger kit	'40-'73	25.62 ☉

I.	<b>2318-26</b>	Stud, mounting	'29-'73	6.50 ☉
J.	<b>R2644-30P</b>	Nut, mounting stud park	'29-'73	2.50 ☉
	<b>R2644-30</b>	Nut, mounting stud cad	'29-'73	2.50 ☉
	<b>R2644-30C</b>	Nut, mounting stud chrome	'29-'73	3.44 ☉
K.	<b>0230</b>	Washer park	'29-'73	2.00 ☉
	<b>R0230P</b>	Washer park	'29-'73	1.06 ☉
	<b>R0230</b>	Washer cad	'29-'73	1.06 ☉
	<b>R0230C</b>	Washer chrome	'29-'73	1.25 ☉



L.	<b>2172-26</b>	Tripper bolt	'29-'63	15.00 ☉
	<b>R2172-26</b>	Tripper bolt	'29-'63	9.38 ☉
M.	<b>2173-41</b>	Nut, tripper bolt	'41-'63	5.00 ☉
	<b>R2173-41</b>	Nut, tripper bolt	'41-'63	4.00 ☉
	<b>C2525-1</b>	Wrench, tripper bolt nuts	'41-'63	16.88 ☉

	<b>2326-35</b>	Filler plug 11/16"-18 park	'35-'40	9.00 ☉
	<b>2326-40P</b>	Filler plug, early long type park	'41-'43	8.00 ☉
N.	<b>2326-41</b>	Filler plug 11/16"-11 park	'41-'73	12.00 ☉
	<b>R2326-41P</b>	Filler plug " park	'41-'73	19.38 ☉
	<b>R2326-41</b>	Filler plug " cad	'41-'73	20.00 ☉
	<b>R2326-41C</b>	Filler plug " chrome	'41-'73	20.63 ☉

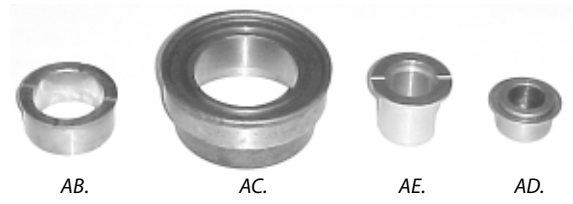


O.	<b>R2328-27P</b>	Adjusting screw park	'29-'63	16.25 ☉
	<b>R2328-27</b>	Adjusting screw cad	'29-'63	16.56 ☉
	<b>R2328-27C</b>	Adjusting screw chrome	'29-'63	18.75 ☉

P.	<b>2299-33A</b>	Washer, bracket bolt	'35-'73	2.50 ☉
RA.	<b>2299-39</b>	Bracket, gear retaining	'39-'40	12.00 ☉
	<b>2299-41</b>	Bracket, gear retaining	'41-'73	20.00 ☉
R.	<b>1123-29</b>	Bolt, bracket park	'35-'73	1.50 ☉
S.	<b>2367-41</b>	Shaft, reverse idler gear	'41-'73	8.00 ☉

T.	<b>2346-33</b>	Stud, cover park	'35-'73	9.00 ☉
U.	<b>R2346-33A</b>	Stud, cover park	'35-'73	8.75 ☉
V.	<b>2346-33B</b>	Stud, cover park	'35-'73	9.00 ☉
W.	<b>R0117P</b>	Nut, sprocket cover park		1.19 ☉
	<b>R0117M</b>	Nut, sprocket cover cad		1.25 ☉
	<b>R0117C</b>	Nut, sprocket cover chrome		0.94 ☉
X.	<b>R0259P</b>	Lockwasher park		0.25 ☉
	<b>R0259</b>	Lockwasher zinc		0.25 ☉
	<b>R0259C</b>	Lockwasher chrome		0.38 ☉

Y.	<b>2260-39</b>	Side cover	'39-'40	125.00 ☉
	<b>2260-41</b>	Side cover	'41-'63	n.a.
Z.	<b>2262-41</b>	Gasket, side cover	'41-early65	1.50 ☉
	<b>2262-41.10pack</b>	10 Gaskets	'41-early65	12.00 ☉
AA.	<b>047</b>	Screw, side cover park	'29-'64	2.00 ☉
	<b>R047P</b>	Screw, side cover park	'29-'64	1.38 ☉
	<b>047cad</b>	Screw, side cover cad	'29-'64	2.00 ☉
	<b>R047</b>	Screw, side cover cad	'29-'64	1.44 ☉
	<b>R047C</b>	Screw, side cover chrome	'29-'64	1.69 ☉



AB.	<b>R2290-33</b>	Race, outer bearing	'35-'73	45.00 ☉
	<b>R2290-33.002</b>	- oversize O.D. +.002"	'35-'73	46.00 ☉
	<b>R2290-33.005</b>	- oversize O.D. +.005"	'35-'73	47.00 ☉
	<b>R2290-33.010</b>	- oversize O.D. +.010"	'35-'73	48.00 ☉

AC.	<b>2518-33</b>	Race, left bearing, outer	'35-'40	60.00 ☉
	<b>2518-41</b>	Race, left bearing, outer	'41-'73	n.a.
AD.	<b>2312-26</b>	Bushing, countershaft, left	'29-'63	n.a.
	<b>R2312-26A</b>	Inner bushing only		11.00

AE.	<b>R2314-39</b>	Bushing, countershaft, right	'39-'40	n.a.
	(will fit '35-'38 when gear bushing is replaced with bearings 2289-39)			
	<b>R2314-41</b>	Bushing, countershaft, right	'41-'63	22.50

# Transmission

## Gear Box Hardware Kits



Mounting kits include nuts, washers and adjusting bolt

<b>C9839-10</b>	Mounting kit	'41-'63	park	25.63	⊕
<b>C9838-10</b>	Mounting kit	'41-'63	cad	25.63	⊕
<b>C9837-10</b>	Mounting kit	'41-'63	chrome	33.75	⊕

## Top and Side Cover Screw Kits

<b>C9666-27</b>	Cover screw kit	'35-'63	park	20.00	⊕
<b>C9411-27</b>	Cover screw kit	'35-'63	cad	19.38	⊕
<b>C9410-27</b>	Cover screw kit	'35-'63	chrome	24.38	⊕



## Side Cover Screw Kits

<b>C9687-5</b>	Cover screw kit	'29-'64	park	8.13	⊕
<b>C9301-5</b>	Cover screw kit	'29-'64	cad	8.75	⊕
<b>C9300-5</b>	Cover screw kit	'29-'64	chrome	9.69	⊕



## Sprocket Cover Stud Kit

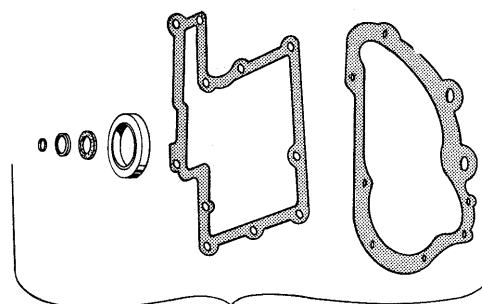
<b>C9686-16</b>	Stud kit	'35-'73	park	36.25	⊕
<b>C8622-16</b>	Stud kit	'35-'73	cad	37.50	⊕
<b>C8621-16</b>	Stud kit	'35-'73	chrome	40.00	⊕



## Gasket Set

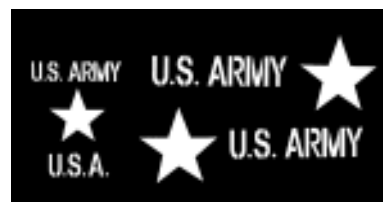
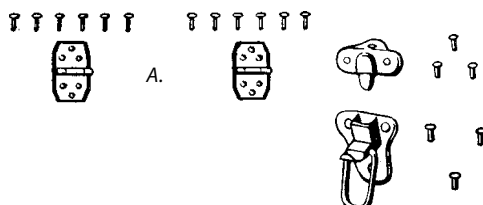
<b>R2200-41</b>	Gasket set, transmission	'41-'63	12.00	⊕
Includes :				
	R2512-41	R2245-36A		
	R2262-39	2262-41		
	R2245-26	2271-41		

Note: Gasket set includes paper gaskets which have to be soaked in water for a perfect fit.



## Miscellaneous military only:

A.	<b>11204-42M</b>	Hinges, pair, complete Ammo. box WLA '42-'52		10.00	⊕
	<b>3470-41</b>	Rubber pad, tool box WLC 1942		4.00	⊕
	<b>R1039-32P</b>	Screw, ammo box and gun carrier	park	2.75	
	<b>R1039-32Z</b>	Screw, ammo box and gun carrier	zinc	0.80	
	<b>11206-42</b>	Washer		0.40	
	<b>R0111P</b>	Nut	park	1.13	
	<b>R0111Z</b>	Nut	zinc	0.30	
G.	<b>11551-X</b>	Tire tools set of 2, use in tool kit military		20.00	⊕

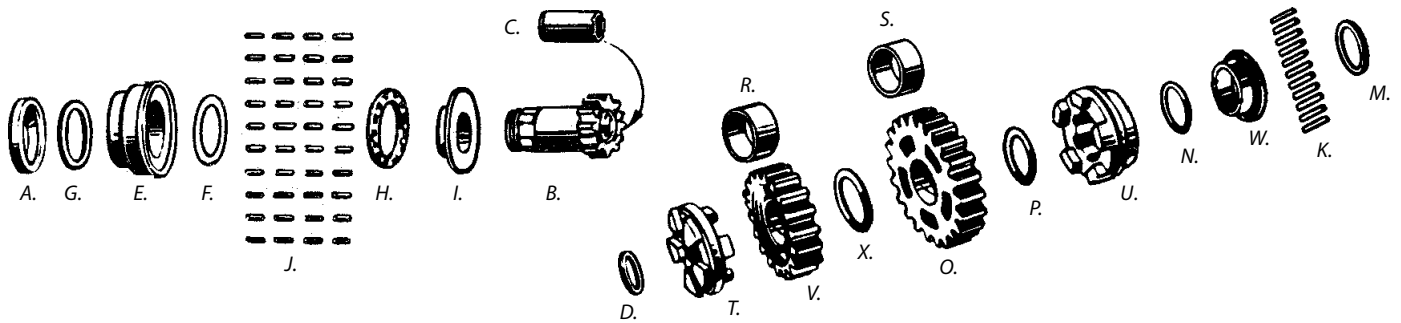


**R5917-41M** Set of decals, US military models (for tanks and/or fender, self-adhesive, white) n.a.



**R11307-35A** Warning decal for legshields 7.50

**C2597-17** Legshield mounting kit park 35.00 ⊕



**Clutch Gear Parts**

A.	<b>R2512-41</b>	Oil seal, "double lip"	'41-'73	6.00 €
B.	<b>2513-33</b>	Clutch gear, incl. bushing	'35-'40	135.00 €
"	<b>R2513-41</b>	Clutch gear, incl. bushing	'41-'73	n.a.
C.	<b>2514-33</b>	Bushing, clutch gear	'35-'40	n.a. €
"	<b>R2514-41</b>	Bushing, clutch gear	'41-'73	13.00
D.	<b>R2516-41A</b>	Spacer set (8), end play	'41-'73	40.00 €
E.	<b>2518-33</b>	Race, left bearing, outer	'35-'40	60.00 €
"	<b>2518-41</b>	Race, left bearing, outer	'41-'73	n.a.
F.	<b>R2520-41</b>	Washer, left bearing, thrust	'41-'73	4.50 €
G.	<b>2520-41A</b>	Washer, left retainer	'41-'73	5.00 €
H.	<b>2521-41</b>	Bearing & balls, thrust	'41-'73	10.00 €
I.	<b>2522-41</b>	Race, thrust bearing	'41-'73	25.00 €
"	<b>R2522-41i</b>	Race, thrust bearing	'41-'73	12.00

**Roller, clutch gear (40) '41-'73**

Also available in 100-packs

J.	<b>R2289-36</b>	Standard .125" x .615"		0.30 €
"	<b>R2289-36F</b>	O.S. +.0004"		0.30 €
"	<b>R2289-36KA</b>	O.S. +.0008"		0.30 €
"	<b>R2289-36MA</b>	O.S. +.0010"		0.30 €
"	<b>R2289-36MA2</b>	O.S. +.0020"		0.30 €

**Roller, mainshaft (21), countershaft left (19) '35-'73.**

**Roller, clutch gear (31) '35-'40.**

Check website for 100-packs

K.	<b>2306-32</b>	Standard .152" x .625"		1.50 €
"	<b>R2306-32F</b>	O.S. +.0004"		0.50
"	<b>2306-32H</b>	O.S. +.0006"		1.50
"	<b>R2306-32KA</b>	O.S. +.0008"		0.50 €
"	<b>R2306-32MA</b>	O.S. +.0010"		0.50 €

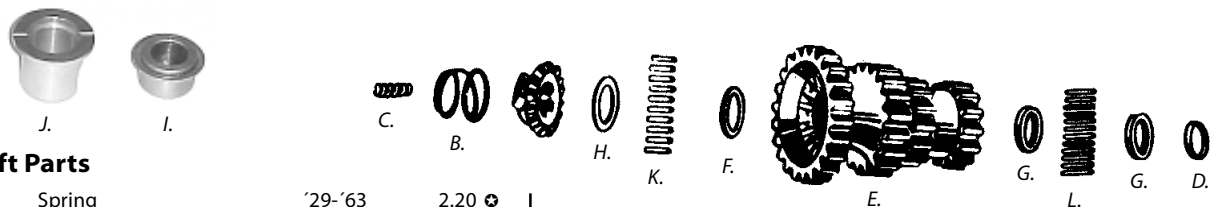
**Roller, countershaft right (24) '39-'73.**

Check website for 100-packs

L.	<b>R2289-39</b>	Standard .114" x .750"		0.50 €
"	<b>R2289-39F</b>	O.S. +.0004"		0.50 €
"	<b>R2289-39KA</b>	O.S. +.0008"		0.50 €
"	<b>R2289-39MA</b>	O.S. +.0010"		0.80 €

**Mainshaft Parts**

	<b>2272-33</b>	Mainshaft	'35-'40	110.00 €
	<b>R2272-33</b>	Mainshaft	'35-'40	32.00
	<b>R2272-41</b>	Mainshaft	'41-'73	34.00
M.	<b>2291-33</b>	Washer, thrust	'35-'73	5.00 €
"	<b>R2291-33</b>	Washer, thrust	'35-'73	3.50 €
N.	<b>2292-33</b>	Washer, thrust	'35-'73	5.00 €
"	<b>R2292-33</b>	Washer, thrust	'35-'73	4.00 €
O.	<b>2294-39</b>	Gear, low (first)	'39-'40	70.00 €
"	<b>2294-41</b>	Gear, low (first)	'41-'73	n.a. €
P.	<b>2294-41B</b>	Washer, low gear end	'41-'73	5.00 €
"	<b>R2294-41B</b>	Washer, low gear end	'41-'73	3.50 €
X.	<b>2294-41C</b>	Washers, set	'41-'73	22.00 €
	<b>2297-33</b>	Bushing, reverse gear	'33-'73	14.00 €
	<b>R2297-33</b>	Bushing, reverse gear	'33-'73	13.50 €
R.	<b>2297-39A</b>	Bushing, second gear	'39-'40	10.00 €
"	<b>2297-41</b>	Bushing, second gear	'41-'73	9.00 €
"	<b>R2297-41i</b>	Bushing, second gear	'41-'73	3.00
S.	<b>2297-39B</b>	Bushing, low gear	'39-'40	n.a.
"	<b>2297-41A</b>	Bushing, low gear	'41-'73	9.00 €
"	<b>R2297-41Ai</b>	Bushing, low gear	'41-'73	3.00
T.	<b>2298-39A</b>	Shifter clutch, 2nd & high	'39-'40	n.a.
"	<b>R2298-41</b>	Shifter clutch, 2nd & high	'41-'73	34.00
	<b>2298-33</b>	Shifter clutch, low/reverse	'33-'40	n.a.
U.	<b>2298-36</b>	Shifter clutch, low gear	'36-'40	60.00 €
"	<b>2298-41B</b>	Shifter clutch, low gear	'41-'52	55.00 €
"	<b>R2298-41B</b>	Shifter clutch, low gear	'41-'52	25.00
V.	<b>2295-39</b>	Gear, second	'39-'40	n.a. €
"	<b>R2295-41</b>	Gear, second	'41-'73	37.00
W.	<b>2296-33A</b>	Collar, spacing	'33-'52	18.00 €



**Countershaft Parts**

B.	<b>2166-26</b>	Spring	'29-'63	2.20 €
"	<b>R2166-26</b>	Spring	'29-'63	n.a.
C.	<b>R2168-26</b>	Spring	'29-'63	1.35 €
D.	<b>R2262-39</b>	Oil seal	'39-'63	2.00 €
	<b>2300-33</b>	Countershaft (rusty)	'35-'40	75.00 €
	<b>R2300-41</b>	Countershaft	'41-'73	39.00
E.	<b>R2303-41</b>	Gear, countershaft	'41-'63	85.00
F.	<b>2305-33</b>	Washer, inner thrust	'35-'73	5.00 €
"	<b>R2305-33</b>	Washer, inner thrust	'35-'73	3.50 €
G.	<b>2305-39</b>	Washer, right	'39-'73	6.00 €
"	<b>R2305-39</b>	Washer, right	'39-'73	5.00 €
H.	<b>2308-33</b>	Washer, countershaft end	'35-'73	5.00 €
"	<b>R2308-33</b>	Washer, countershaft end	'35-'73	3.50 €

I.	<b>2312-26</b>	Bushing, countershaft, left	'29-'63	n.a.
"	<b>R2312-26A</b>	Inner bushing only		11.00
J.	<b>R2314-39</b>	Bushing, countershaft, right	'39-'40	n.a.
	(will fit '35-'38 when gear bushing is replaced with bearings 2289-39)			
"	<b>R2314-41</b>	Bushing, countershaft, right	'41-'63	22.50

# Clutch

Set of clutch and brake pedal pads (3) All models '36-'61  
Exact reproduction of original style pads. Bolt - on type.

<b>R11791-45</b>	Set pads	black	17.00
<b>R11791-45.5pack</b>	5 Pad sets		65.00



Clutch/brake pedal pad , slip over type, all models.

<b>R36954-62</b>	Pedal pad	black	3.50
<b>R36954-62.10pack</b>	10 Pedal pads		28.00

## Clutch Pedal Parts

A.	<b>R2409-38B</b>	Pedal, clutch	black	'38-'52	n.a.
"	<b>R2409-38BC</b>	Pedal, clutch	chrome	'38-'52	n.a.
B.	<b>R2430-40</b>	Replacement shaft with nut		'38-'52	22.50 *

(to replace worn pedal shaft,weld-on)

C.	<b>2409-38CN</b>	Cover	green	'38-'52	37.00 *
"	<b>2409-38CNused</b>	Cover	green, used	'38-'52	22.00 *
D.	<b>R051P</b>	Screw, pedal cover		park	1.44
"	<b>R051</b>	Screw, pedal cover		cad	1.50 *
"	<b>R051C</b>	Screw, pedal cover		chrome	2.63 *
E.	<b>0108</b>	Nut, pedal cover screw		park	1.50 *
"	<b>R0108P</b>	Nut, pedal cover screw		park	1.13 *
"	<b>R0108M</b>	Nut, pedal cover screw		cad	1.19 *
"	<b>R0108C</b>	Nut, pedal cover screw		chrome	0.88 *
F.	<b>R0256P</b>	Lockwasher		park	0.25 *
"	<b>R0256</b>	Lockwasher		zinc	0.25 *
"	<b>R0256C</b>	Lockwasher		chrome	0.38 *

G.	<b>2410-36A</b>	Bushing- oilite		'38-'52	11.00 *	
"	<b>R2410-36A</b>	Bushing		'38-'52	6.88 *	
"	<b>C2550-2</b>	Tool, bushing installation		'38-'52	17.50 *	
"	<b>R2411-32</b>	Stud, spring		'33-'38	10.63 *	
H.	<b>2411-40</b>	Stud, spring		'40-'52	5.00 *	
"	<b>R2411-40</b>	Stud, spring		'40-'52	3.00 *	
HA.	<b>0129</b>	Nut, spring stud		park	1.50 *	
"	<b>R0129</b>	Nut, spring stud		cad	1.56 *	
"	<b>R0129C</b>	Nut, spring stud		chrome	1.75 *	
I.	<b>2412-36</b>	Spring		'38-'52	14.50 *	
J.	<b>2413-38</b>	Stud, clutch cable		'38-'52	3.00 *	
K.	<b>2416-36</b>	Disc, steel		park	'38-'52	22.50 *
L.	<b>R2417-36</b>	Disc, friction		'38-'52	4.00 *	
M.	<b>R2417-36B</b>	Disc		zinc	'38-'52	15.00 *

N.	<b>R2419-36</b>	Washer, spring	zinc	'38-'52	3.50
"	<b>R2419-36.10pack</b>	10 Spring washers		'38-'52	25.50
NA.	<b>2419-36A</b>	Washer, hook	park	'38-'52	n.a. *
O.	<b>R2419-36B</b>	Lockwasher		'38-'52	2.75 *
P.	<b>0142</b>	Nut, 5/8"-24	park	'38-'52	3.00 *

J.	<b>2413-38</b>	Stud, clutch cable		'38-'52	3.00 *
----	----------------	--------------------	--	---------	--------

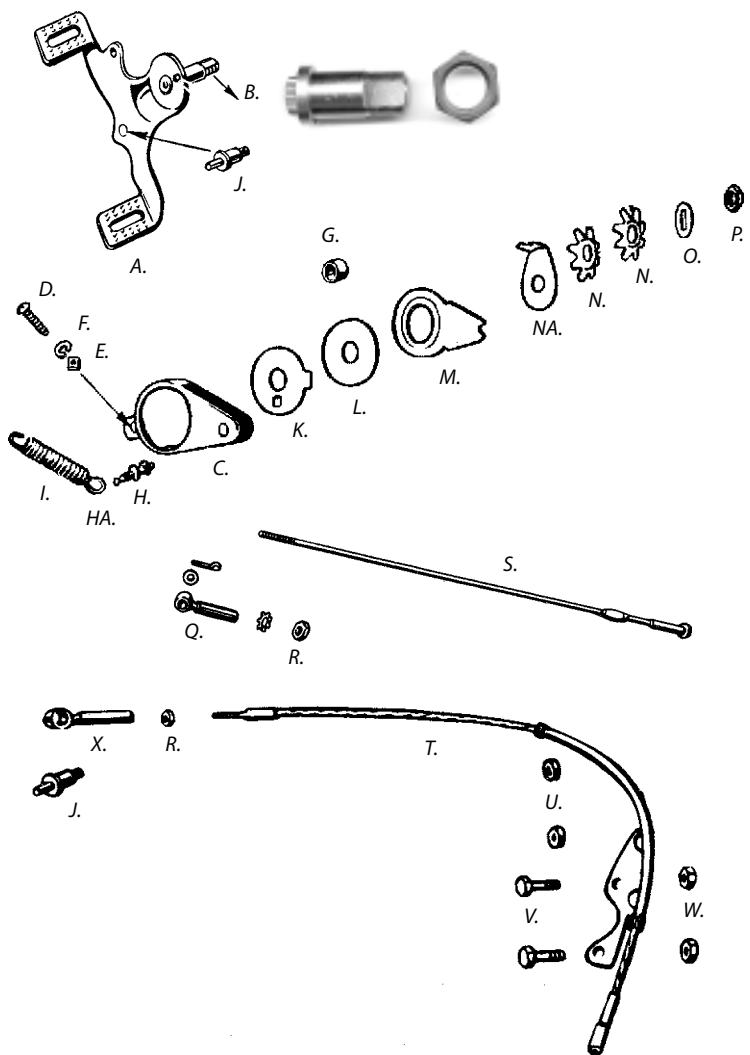
X.	<b>R2422-36P</b>	End, cable	10-32	park	'38-'46	n.a. *
"	<b>R2422-36</b>	End, cable	10-32	cad	'38-'46	n.a. *
"	<b>R2422-36C</b>	End, cable	10-32	chrome	'38-'46	n.a. *
R.	<b>R0105AP</b>	Nut, cable end		park	'38-'46	0.50 *
"	<b>R0105AZ</b>	Nut, cable end		zinc	'38-'46	0.50 *
"	<b>R2422-47P</b>	End, cable	1/4-24	park	'47-'73	22.00 *
"	<b>R2422-47</b>	End, cable	1/4-24	cad	'47-'73	22.00 *
"	<b>R0108P</b>	Nut, cable end		park	'47-'73	1.13 *
"	<b>R0108M</b>	Nut, cable end		cad	'47-'73	1.19 *

S.	<b>R2424-29</b>	Clutch lever rod		cad	'29-'37	n.a. *
"	<b>R2424-38</b>	Clutch lever rod		cad	'38-'40	n.a. *
T.	<b>R2424-41P</b>	Clutch cable		park	'41-'46	n.a. *
"	<b>R2424-47P</b>	Clutch cable		park	'47-'73	n.a. *

U.	<b>2425-41</b>	Felt washer		'41-'73	1.30 *
----	----------------	-------------	--	---------	--------

<b>C2654-6</b>	Bolt, clutch pedal	Servi-car '47-'73	24.38
<b>C2669-6</b>	Bolt, clutch pedal - oversize		25.00

(also used on the WR models)



V.	<b>R066P</b>	Bolt	"1038 cp"	park	2.19 *
"	<b>R066Z</b>	Bolt		zinc	0.75 *
"	<b>R066C</b>	Bolt		chrome	1.30 *

W.	<b>R0117P</b>	Nut		park	1.19 *
"	<b>R0117M</b>	Nut		cad	1.25 *
"	<b>R0117C</b>	Nut		chrome	0.94 *

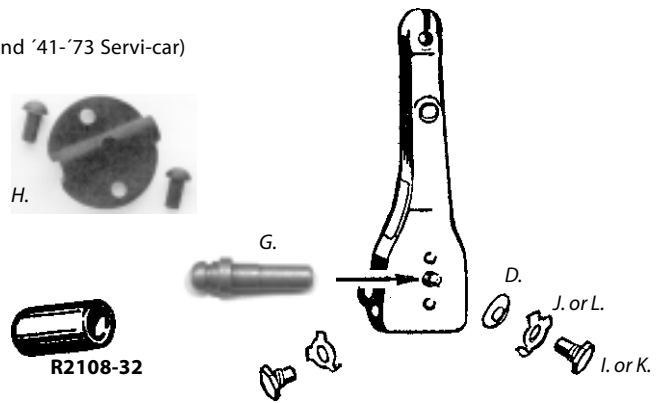
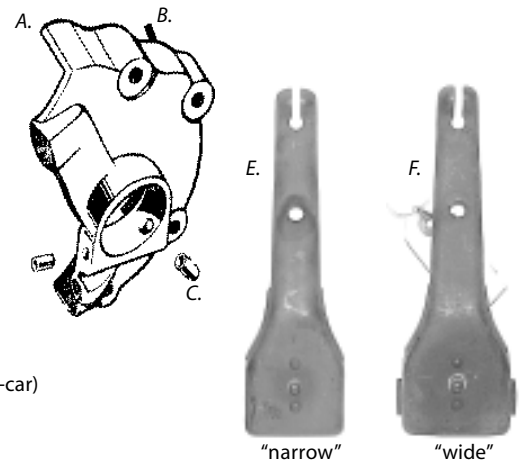
<b>R0259P</b>	Lockwasher	park	0.25 *
<b>R0259</b>	Lockwasher	zinc	0.25 *
<b>R0259C</b>	Lockwasher	chrome	0.38 *

**Clutch Release Lever**

Notes:

- '41-'43 models use early cover with narrow lever.
- '44-'52 solo models use late sprocket cover with wide lever.
- Late cover with lever will also fit earlier models.
- Servi-cars '41-'73 always used the early narrow lever.

	<b>2345-33</b>	Sprocket cover	black	'35-'40	70.00 €	(except Servi-car)
	<b>2345-32A</b>	Bushing, cover, upper		'32-'40	6.00 €	
	<b>2345-32B</b>	Bushing, cover, lower		'32-'40	6.00 €	
A.	<b>2345-44</b>	Sprocket cover	green	'44-'52	n.a.	
B.	<b>2346-41</b>	Pin, sprocket cover		'41-'73	n.a.	
"	<b>R2346-41</b>	Pin, sprocket cover		'41-'73	n.a.	
Note: Pin is for retaining shifter fork shaft in gear box.						
C.	<b>R2345-41B</b>	Bushing	Solo	'41-'43	5.63 €	(and '41-'73 Servi-car)
"	<b>R2345-44A</b>	Bushing	Solo	'44-'52	5.63 €	
D.	<b>2432-41A</b>	Spring washer		'41-'73	3.00 €	
"	<b>R2432-41A</b>	Spring washer		'41-'73	2.25 €	
E.	<b>2426-41</b>	Lever, clutch	green	'41-'43	n.a. €	(and '41-'73 Servi-car)
F.	<b>2426-44</b>	Lever, clutch	green	'44-'52	n.a. €	
"	<b>2426-44cad</b>	Lever, clutch	cad	'44-'52	n.a. €	
(levers include grease nipple and fulcrum)						
G.	<b>R2428-41</b>	Grease nipple	park	'41-'73	7.81 €	
H.	<b>C8920-3</b>	Clutch lever fulcrum kit		'41-'73	13.13 €	
(to be riveted on inside of lever)						
	<b>R2108-32</b>	Bushing, starter shaft	Servi-car	'32-'63	20.00 €	



**Clutch Release Lever Parts**

<b>Narrow Lever; Solo '41-'43, Servi-car '41-'73</b>					
I.	<b>R2431-41P</b>	Screw	park	7.81 €	
"	<b>R2431-41</b>	Screw	cad	7.81 €	
"	<b>R2431-41C</b>	Screw	chrome	8.75 €	
J.	<b>2432-41</b>	Lockwasher	bare	2.50 €	
"	<b>R2432-41P</b>	Lockwasher	park	3.13 €	
"	<b>R2432-41</b>	Lockwasher	cad	3.13 €	
"	<b>R2432-41C</b>	Lockwasher	chrome	3.56 €	
<b>Wide lever; Solo '44-'52</b>					
K.	<b>R2431-44P</b>	Screw	park	7.81 €	
"	<b>R2431-44</b>	Screw	cad	7.81 €	
"	<b>R2431-44C</b>	Screw	chrome	8.75 €	
L.	<b>2432-44</b>	Lockwasher	park	2.00 €	
"	<b>R2432-44P</b>	Lockwasher	park	3.13 €	
"	<b>R2432-44</b>	Lockwasher	cad	3.13 €	
"	<b>R2432-44C</b>	Lockwasher	chrome	3.75 €	
M.	<b>R034P</b>	Screw	park	0.63 €	
"	<b>R034Z</b>	Screw	zinc	0.30 €	
"	<b>R034C</b>	Screw	chrome	0.60 €	

**Release Lever Rebuild Kits**

Kits include screws, lockwashers and bushings



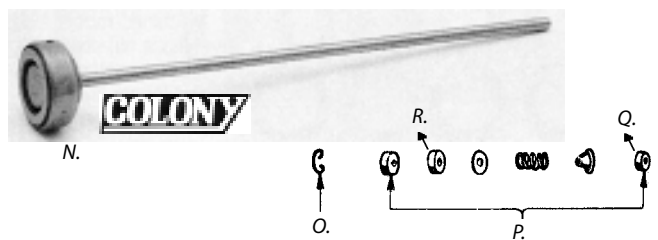
**C8904-6**

<b>C9709-6</b>	'41-'43, Servi-car '41-'73	park	30.00 €
<b>C8904-6</b>	'41-'43, Servi-car '41-'73	cad	30.00 €
<b>C8903-6</b>	'41-'43, Servi-car '41-'73	chrome	32.50 €
<b>C2813-8</b>	'44-'52 Solo	park	30.00 €
<b>C8411-8</b>	'44-'52 Solo	cad	30.00 €
<b>C8410-8</b>	'44-'52 Solo	chrome	32.50 €

**tap160-010** Tap 7/16"-28 to rethread lever n.a.

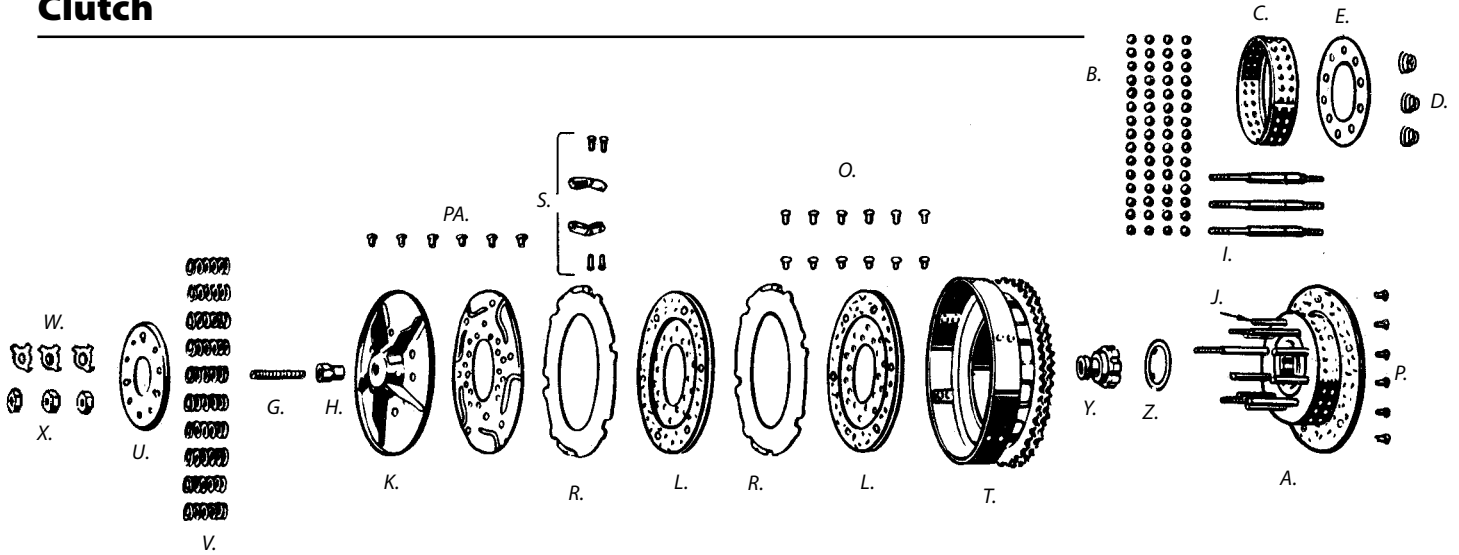


	<b>2446-33</b>	Pushrod		'35-'40	18.00 €
N.	<b>R2446-41</b>	Pushrod, with bearing		'41-'73	68.75 €
"	<b>R2446-41i</b>	Pushrod, with bearing		'41-'73	25.00
"	<b>R2446-41i.10pack</b>	10 Pushrods			175.00
O.	<b>2461-41B</b>	Retaining ring		'41-'73	4.00 €
P.	<b>2461-41D</b>	Oil seal set		'41-'73	n.a.
"	<b>R2461-41D</b>	Replacement one-piece oil seal		'41-'73	6.00 €
Q.	<b>2461-42</b>	Oil seal, push rod - small		'41-'73	4.00 €
R.	<b>2461-42A</b>	Oil seal, push rod - large		'41-'73	6.00 €



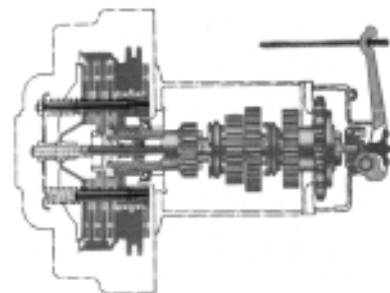
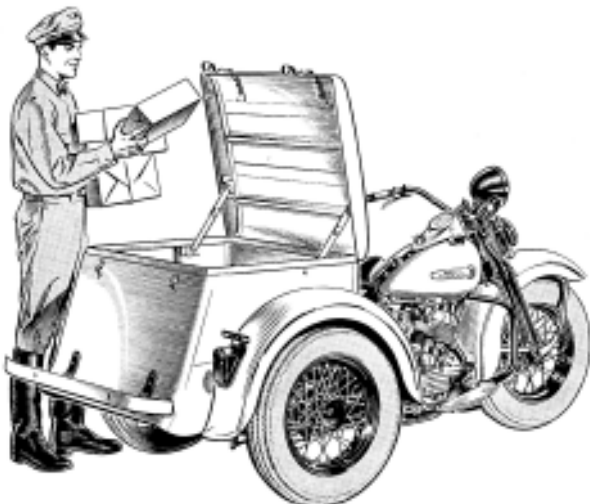
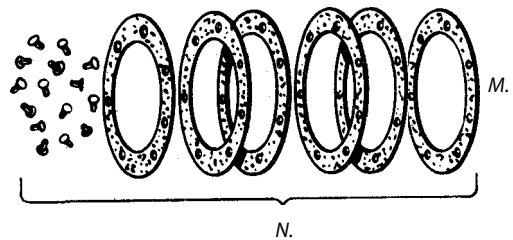
# Clutch

€ prices  
in euro



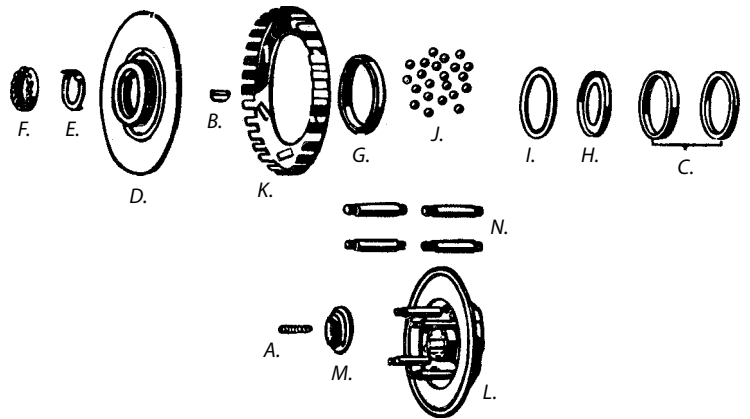
A.	<b>R2472-41Ai</b>	Clutch hub, without bearing	'41-'73	77.50
B.	<b>R2472-41B</b>	Ball, hub bearing 7/32"	'41-'73	0.20
"	<b>R2472-41Bset</b>	Set balls (60)	'41-'73	10.00
C.	<b>2473-41A</b>	Retainer, ball bearing	'41-'73	19.00 ☼
D.	<b>R2474-44</b>	Spring, plate	'41-'73	0.50 ☼
"	<b>R2474-44.10pack</b>	10 Springs	'41-'73	4.00 ☼
E.	<b>R2475-41A</b>	Plate, hub bearing	'41-'73	7.00
"	<b>R2475-41A.10pack</b>	10 Plates	'41-'73	42.00
G.	<b>2463-41A</b>	Screw, adjusting	'41-'73	3.50 ☼
H.	<b>2465-41</b>	Nut	'41-'73	4.00 ☼
"	<b>R2465-41</b>	Nut	'41-'73	2.50 ☼
I.	<b>2477-41A</b>	Stud, hub long	'41-'73	5.00 ☼
J.	<b>2478-41B</b>	Pin, hub short	'41-'73	3.00 ☼
K.	<b>2479-41A</b>	Disc, releasing	'41-'73	n.a. ☼
"	<b>R2479-41A</b>	Disc, releasing	'41-'73	20.00
L.	<b>2481-41A</b>	Disc, friction	'41-'73	n.a. ☼
"	<b>R2481-41A</b>	Disc, friction	'41-'73	n.a.

M.	<b>2482-41A</b>	Lining, friction disc/hub	'41-'73	6.00 ☼
N.	<b>2484-41A</b>	Set linings + rivets	'41-'73	35.00 ☼
"	<b>R2485-12</b>	Rivet, clutch disc	'41-'73	0.35 ☼
P.	<b>R2485-41</b>	Rivet, hub	'41-'73	0.20 ☼
PA.	<b>2485-41A</b>	Rivet, sprung disc	'41-'73	0.20 ☼
"	<b>R2486-41</b>	Set clutch lining rivets	14+7+7	5.00 ☼
R.	<b>R2487-41A</b>	Steel disc, with buffers	'41-'73	14.00
S.	<b>R2488-41</b>	Buffers, disc (3)	'41-'73	7.00
T.	<b>R2039-41A</b>	Clutch sprocket	'41-'63	75.00
U.	<b>2505-41A</b>	Plate, pressure	'41-'73	18.50 ☼
V.	<b>R2511-41</b>	Spring, clutch	'41-'73	1.50
"	<b>R2511-41A</b>	Set of 10 springs	'41-'73	10.00
W.	<b>R2512-41A</b>	Lockwasher	'41-'46	1.30
X.	<b>R0117A</b>	Nut, hub stud	'41-'46	1.44 ☼
"	<b>37581-47</b>	Nut, hub stud	'47-'73	2.50 ☼
"	<b>37581-47.25pack</b>	25 Nuts	'47-'73	48.00 ☼
"	<b>R2476-47</b>	Nut, hub stud	'47-'73	2.00
Y.	<b>2515-41</b>	Nut, clutch hub	'41-'73	17.00 ☼
"	<b>R2515-41</b>	Nut, clutch hub	'41-'73	23.75 ☼
Z.	<b>2515-41A</b>	Lockwasher	'41-'73	7.00 ☼
"	<b>R2515-41A</b>	Lockwasher	'41-'73	5.63 ☼



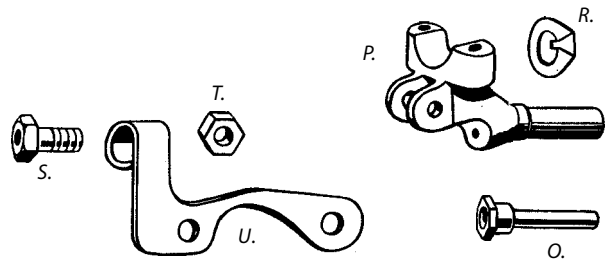
**'40-earlier Clutch Parts**

A. <b>2463-34</b>	Screw, push rod		'34-'40	4.00 ☼
B. <b>2279-26</b>	Key, clutch		'29-'73	2.00 ☼
<b>2485-40</b>	Rivet, friction disc		'40	0.20 ☼
C. <b>2524-36</b>	Oil seal, set		'36-'40	n.a. ☼
D. <b>2528-33</b>	Inner clutch disc		'35-'40	n.a. ☼
E. <b>2530-33</b>	Lock washer, inner disc		'35-'40	n.a. ☼
F. <b>2531-33</b>	Nut, inner disc		'35-'40	n.a. ☼
G. <b>2536-33</b>	Race, outer bearing		'35-'40	n.a. ☼
H. <b>2538-33</b>	Washer, ball bearing		'35-'40	n.a. ☼
I. <b>2539-33</b>	Washer, bearing spacer		'35-'40	3.00 ☼
J. <b>2540-33</b>	Ball, hub bearing, 5/32"		'35-'40	0.20 ☼
K. <b>2543-31</b>	Clutch key ring		'32-'40	n.a. ☼
L. <b>2544-34</b>	Drive disc		'34-'40	n.a. ☼
M. <b>2548-40</b>	Nut, clutch spring		'40	12.00 ☼
N. <b>2549-34</b>	Stud, clutch spring		'34-'40	7.00 ☼
" <b>C3338-4</b>	Set of 4 studs		'34-'40	36.25 ☼



**Hand Clutch Control Parts**

O. <b>2558-41</b>	End nut	park	'41-'52	8.00 ☼
P. <b>2559-41N</b>	Bracket	green	'41-'52	n.a. ☼
U. <b>2560-41</b>	Bracket, coil	park	'41-'52	24.00 ☼
R. <b>2568-43</b>	Lock washer	park	'43-'52	3.00 ☼
S. <b>R4165-28P</b>	Adjusting sleeve	park	'30-'52	10.00 ☼
" <b>R4165-28</b>	Adjusting sleeve	cad	'30-'52	15.00 ☼
T. <b>R4166-28P</b>	Nut, sleeve	park	'30-'52	1.75 ☼
" <b>R4166-28</b>	Nut, sleeve	cad	'30-'52	1.88 ☼



**Clutch Tools**

<b>R1004A</b>	Clutch hub puller			135.00 ☼
Removes:				
-	3, 5 and 10 stud Big Twin clutch hubs			
-	750cc model clutch hub			
-	Big Twin alternator cover			
-	Sportster transmission sprocket			
-	Big Twin motor sprocket			
-	Sportster clutch early and late			
-	and many more			



# Springer Fork

A.	<b>R2634-36</b>	Top nut	park	5.00	✪
"	<b>R2634-36C</b>	Top nut	chrome	5.63	✪
B.	<b>2634-30</b>	Retaining nut	park	14.00	✪
"	<b>R2634-30P</b>	Retaining nut	park	7.50	✪
"	<b>R2634-30</b>	Retaining nut	cad	7.81	✪
"	<b>R2634-30C</b>	Retaining nut	chrome	8.13	✪
	<b>C2815-2</b>	Set of 4 upper nuts	park/park	20.63	✪
	<b>C7613-2</b>	Set of 4 upper nuts	cad/chrome	25.00	✪
	<b>C2921-2</b>	Set of 4 upper nuts	chrome/chrome	27.50	✪
	<b>C2987-4</b>	Set of 4 - early style	park/park	22.50	✪
	<b>C2986-4</b>	Set of 4 - early style	cad/chrome	26.25	✪

## Fork Spring Sets '40-'57

C.	<b>R2617-37PAR</b>	Set outer springs (4)	parkerized	n.a.	
"	<b>R2617-37BL</b>	Set outer springs (4)	black	n.a.	
"	<b>R2617-37CHR</b>	Set outer springs (4)	chrome	60.00	
D.	<b>R2619-37PAR</b>	Set inner springs (4)	parkerized	25.00	
"	<b>R2619-37BL</b>	Set inner springs (4)	black	30.00	
"	<b>R2619-37CHR</b>	Set inner springs (4)	chrome	45.00	

Note : Inner springs are C-arc'd (bent) as original to prevent rattling.  
Lower inner springs are slightly taller than upper inner springs.

## Fork Springs '40-'57

E.	<b>R2618-30A</b>	Upper outer spring	park	8.00	
"	<b>R2618-30AB</b>	Upper outer spring	black	9.00	
"	<b>R2618-30AC</b>	Upper outer spring	chrome	14.00	
F.	<b>R2620-37</b>	Lower outer spring	park	n.a.	
"	<b>R2620-37B</b>	Lower outer spring	black	n.a.	
"	<b>R2620-37C</b>	Lower outer spring	chrome	20.00	
G.	<b>R2622-30</b>	Upper inner spring	park	7.00	
"	<b>R2622-30B</b>	Upper inner spring	black	8.00	
"	<b>R2622-30C</b>	Upper inner spring	chrome	12.00	
H.	<b>R2622-36</b>	Lower inner spring	park	7.00	
"	<b>R2622-36B</b>	Lower inner spring	black	8.00	
"	<b>R2622-36C</b>	Lower inner spring	chrome	12.00	

Extra long (± 14 cm) lower inner spring, use on '39-'57 Servi-car, WLC and Sidecar models.

I.	<b>2621-39</b>	Lower inner spring	park	n.a.	
"	<b>R2621-39C</b>	Lower inner spring	chrome	n.a.	

	<b>C2781-6</b>	Set spring rods	'31-'37	68.13	✪
	<b>C2782-4</b>	Set spring rods	'38-'39	50.00	✪
J.	<b>R2631-36</b>	Rod, spring	'40-'57	26.25	✪
"	<b>C7707-4</b>	Set spring rods	'40-'57	52.50	✪

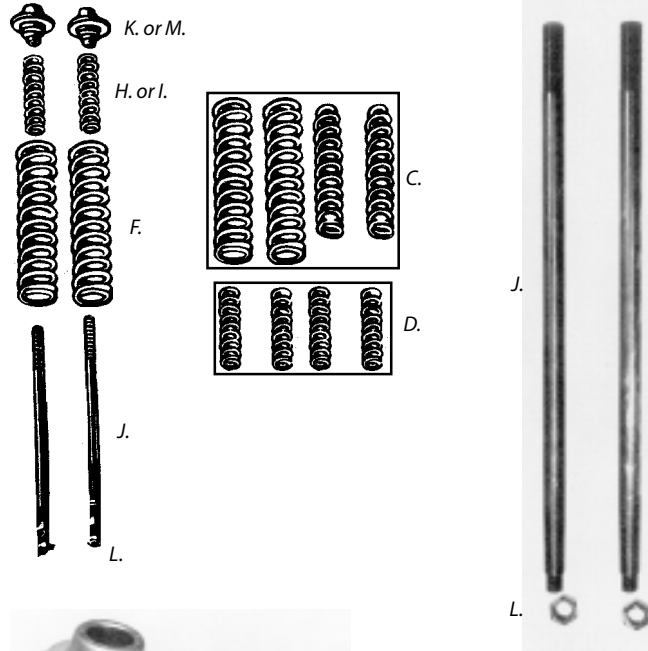
K.	<b>R2632-31P</b>	Bushing, spring rod	park	23.75	✪
"	<b>R2632-31</b>	Bushing, spring rod	cad	23.75	✪
L.	<b>2633-30A</b>	Nut, spring rod, bottom end		2.00	✪



<b>162A</b>	Spring cups, top (2)	chrome	44.00	✪
<b>162B</b>	Spring cups, bottom (2)	chrome	44.00	✪



C7613-2



For Hydra-Glide Fork parts see Panhead catalog



'46-'57 spring rod bushings and retainer plate, must be used together

M.	<b>R14007-45</b>	Pair of rod bushings	park	'46-'57	50.00	✪
N.	<b>R14008-45</b>	Retainer plate	park	'46-'57	42.50	✪



**Fork Rocker Parts, inside rockers**

all models except '42-'43 WLC and '41-up Servi-car

**Rebuild Kits**

include studs, bushings, nuts, lockwashers, etc.

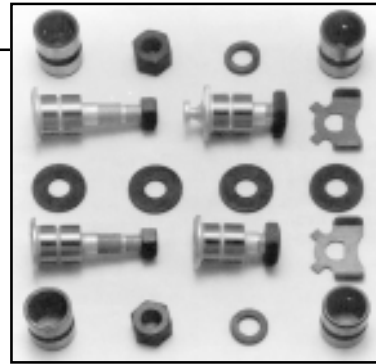
<b>R2638-36A</b>	Kit with short studs	park/park	150.00 ☉
<b>C2941-22</b>	Kit with short studs (Colony)	park/park	206.25 ☉
<b>C9216-22</b>	Kit with short studs (Colony)	cad/park	206.25 ☉
<b>2638-40</b>	Kit with long studs, WLA '41-'52		95.00 ☉

**Rocker Parts**

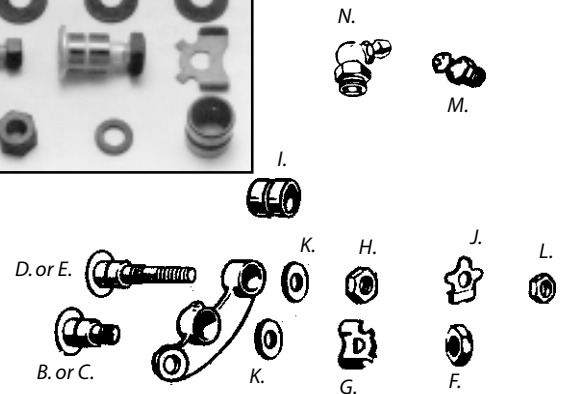
<b>B. 2640-30A</b>	Front stud, left	park	10.00 ☉
<b>C. R2640-30B</b>	Front stud, right	park	32.50 ☉
" <b>R2640-30Bcad</b>	Front stud, right	cad	32.50 ☉
<b>D. R2640-30CP</b>	Rear stud	park	35.00 ☉
" <b>R2640-30C</b>	Rear stud	cad	35.00 ☉
<b>E. 2640-40M</b>	Rear stud, long	park	10.00 ☉
" <b>2640-40Mcad</b>	Rear stud, long	cad	15.00 ☉

Long stud is used on WLA's for mounting gun carrier and ammo. box.

<b>F. 2641-30</b>	Nut, front stud	park	2.00 ☉
" <b>R2641-30</b>	Nut, front stud	cad	2.50 ☉
" <b>2641-30C</b>	Nut, front stud	chrome	3.00 ☉
<b>G. R2642-40</b>	Lock, front stud nut	park	3.13 ☉
" <b>R2642-40C</b>	Lock, front stud nut	chrome	3.00 ☉
<b>H. R2644-30P</b>	Nut, rear stud	park	2.50 ☉
" <b>R2644-30</b>	Nut, rear stud	cad	2.50 ☉
" <b>R2644-30C</b>	Nut, rear stud	chrome	3.44 ☉
<b>I. 2645-30A</b>	Bushing		11.00 ☉
<b>J. R3732-34</b>	Brace clip lock, left	park	6.88 ☉
" <b>R3732-34A</b>	Brace clip lock, right	park	6.88 ☉



**C9216-22**



**C2823-1** Tool for holding slotted rocker studs 17.50 ☉

<b>K. R0231P</b>	Washer	park	1.25 ☉
<b>L. R0127P</b>	Nut, stud	park	1.50 ☉
" <b>R0127</b>	Nut, stud	cad	1.63 ☉
" <b>R0127C</b>	Nut, stud	chrome	1.06 ☉
<b>R0340</b>	Alemite nipple '24-'37	Nickle	3.75 ☉
<b>M. R0344</b>	Grease nipple, straight	zinc	2.63 ☉
" <b>R0344C</b>	Grease nipple, straight	chrome	2.75 ☉
<b>N. R0347</b>	Grease nipple, angle	zinc	2.75 ☉

**Fork Rocker Parts, outside rockers**

'42-'43 WLC and '41-'57 Servi-car

**Rebuild Kits**

include studs, bushings, nuts, lockwashers, etc.

<b>R2638-36</b>	Kit with short studs	cad/park	195.00 ☉
<b>C2939-26</b>	Kit with short studs (Colony)	park/park	218.75 ☉
<b>C7606-26</b>	Kit with short studs (Colony)	cad/park	218.75 ☉
<b>R2638-36B</b>	Kit with long studs	cad/park	145.00 ☉
<b>R2638-36BP</b>	Kit with long studs	park/park	145.00 ☉

(long studs are used for fitting front stand)

**Rocker Stud Kits**

Rocker stud kits include 1 stud with bushing, locks and nuts

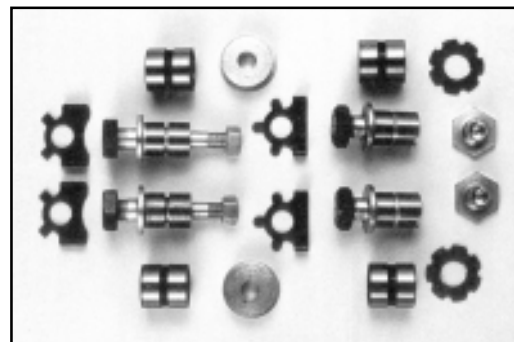
<b>C7607-7</b>	Front stud assembly	cad	61.25 ☉
<b>C7608-6</b>	Rear stud assembly (short)	cad	61.25 ☉
<b>C7609-6</b>	Set lockwashers, 6 pieces	park	16.25 ☉

**Rocker Parts**

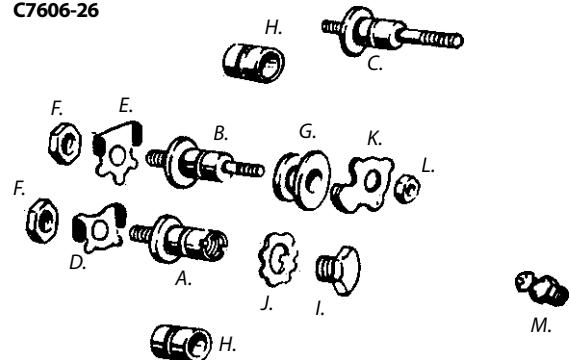
<b>A. 2639-31</b>	Front stud	park	18.00 ☉
" <b>2639-31cad</b>	Front stud	cad	20.00 ☉
<b>B. R2640-31</b>	Rear stud, short	cad	35.00 ☉
<b>C. 2640-31E</b>	Rear stud, front stand	park	10.00 ☉
" <b>2640-31Ecad</b>	Rear stud, front stand	cad	10.00 ☉
" <b>R2640-39AP</b>	Rear stud, tow bar	park	30.63 ☉
<b>D. R2642-30</b>	Lockwasher, front stud	park	2.81 ☉
<b>E. R2642-31A</b>	Lockwasher, rear stud	park	2.81 ☉
<b>F. R2643-31</b>	Nut, rocker plate stud	park	2.13 ☉
" <b>R2643-31cad</b>	Nut, rocker plate stud	cad	2.19 ☉

<b>G. R2644-41P</b>	Spacer, rear stud	park	6.25 ☉
" <b>R2644-41</b>	Spacer, rear stud	cad	6.25 ☉
" <b>R2644-41C</b>	Spacer, rear stud	chrome	8.13 ☉
<b>H. R2645-30</b>	Bushing		14.38 ☉
" <b>R2645-30S</b>	Bushing, oversize +.003"		16.25 ☉
<b>I. 2646-32</b>	Screw, front stud	park	10.00 ☉
" <b>R2646-32cad</b>	Screw, front stud	cad	7.50 ☉
<b>J. 2647-32</b>	Lock, front stud screw	park	5.00 ☉
" <b>R2647-32</b>	Lock, front stud screw	park	3.12 ☉
<b>K. R3732-34</b>	Brace clip lock, left	park	5.50 ☉
" <b>R3732-34A</b>	Brace clip lock, right	park	5.50 ☉



**C7606-26**



<b>L. R0128P</b>	Castle nut, use w. long stud	park	2.00 ☉
" <b>R0128</b>	Castle nut, use w. long stud	cad	2.13 ☉
" <b>R0128C</b>	Castle nut, use w. long stud	chrome	2.31 ☉
" <b>0129</b>	Nut, use with short stud	park	1.50 ☉
" <b>R0129P</b>	Nut, use with short stud	park	1.44 ☉
" <b>R0129</b>	Nut, use with short stud	cad	1.56 ☉
" <b>R0129C</b>	Nut, use with short stud	chrome	1.75 ☉
<b>M. R0344</b>	Grease nipple	zinc	2.63 ☉
" <b>R0344C</b>	Grease nipple	chrome	2.75 ☉
" <b>R0344P</b>	Grease nipple	park	2.63 ☉

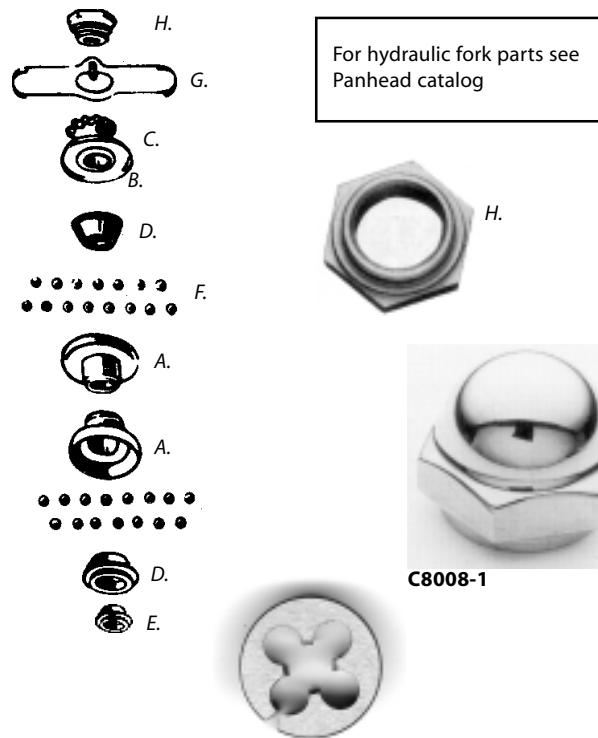
**C7611-2** Rocker bushing installation tool 26.25 ☉  
To remove/install rocker stud bushings in all rockers, use in vise or press.



# Springer Fork

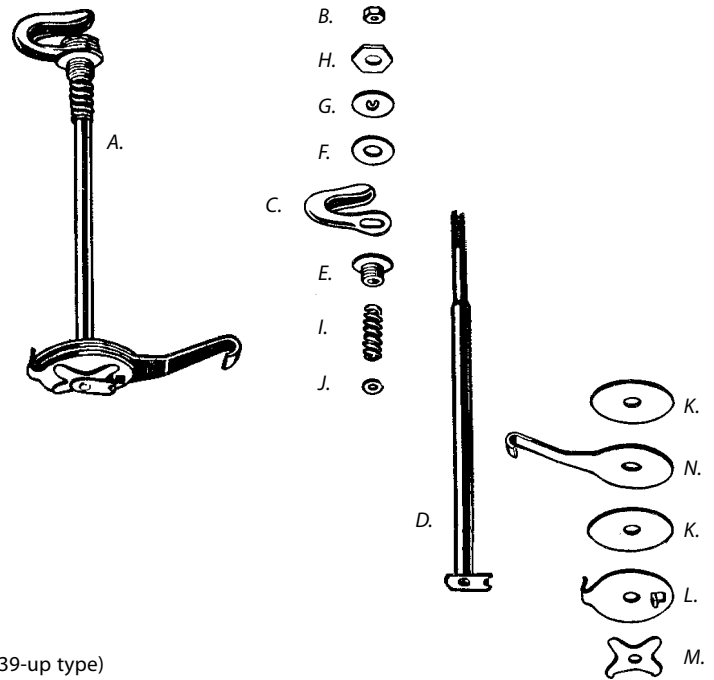
## Frame Head Bearings

A.	<b>R2752-30</b>	Cup, head bearing	'30-'57	44.50	✳
	<b>R2754-30</b>	Upper head cone	'30-'38	43.75	✳
	<b>R2756-30</b>	Lower head cone	'30-'38	28.75	✳
	<b>R2757-26</b>	Head cone washer	'26-'38	10.56	✳
	<b>R2759-30</b>	Head cone lock nut	'30-'38	30.00	✳
C.	<b>R2754-40</b>	Upper head cone	park '40-'57	61.25	✳
"	<b>R2754-40C</b>	Upper head cone	chrome '40-'57	74.50	✳
B.	<b>2753-40</b>	Dirt guard only	park '40-'57	8.00	✳
D.	<b>2756-39A</b>	Bearing race	'39-'57	57.00	✳
E.	<b>2756-39B</b>	Bearing race body (on fork)	'39-'57	5.00	✳
F.	<b>R0282</b>	5/16" steel ball	'30-'57	0.30	
"	<b>R0282.30</b>	Set 5/16" steel balls (30)	'30-'57	8.00	
G.	<b>R2759-36N</b>	Plate, upper cone	black	15.00	
"	<b>R2759-36C</b>	Plate, upper cone	chrome	16.00	
"	<b>R2759-36ST</b>	Plate, upper cone	stainless steel	15.00	
H.	<b>2759-40N</b>	Nut, cone clamping	park	21.00	✳
"	<b>R2759-40P</b>	Nut, cone clamping	park	15.00	✳
"	<b>R2759-40</b>	Nut, cone clamping	cad	15.63	✳
"	<b>R2759-40C</b>	Nut, cone clamping	chrome	18.13	✳
	<b>C8008-1</b>	Acorn nut, cone clamping		27.50	✳
		(use to cover hole if you don't have the steering damper)			
	<b>die160-009</b>	Die 7/8"-24 thread (fork stem)		n.a.	



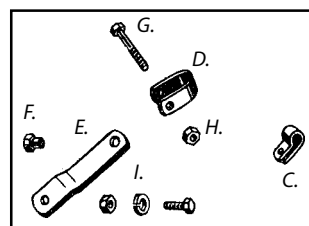
## Steering Damper

A.	<b>R2776-40</b>	Steering damper, chrome lever	'40-'57	110.00	
"	<b>R2776-40N</b>	Steering damper, park lever	'40-'57	110.00	
B.	<b>0129</b>	Nut	park	1.50	✳
"	<b>R0129P</b>	Nut	park	1.44	✳
"	<b>R0129</b>	Nut	cad	1.56	✳
"	<b>R0129C</b>	Nut	chrome	1.75	✳
C.	<b>R2778-36</b>	Lever	park '40-'57	31.25	✳
"	<b>R2778-36C</b>	Lever	chrome '40-'57	35.00	✳
D.	<b>R2779-39</b>	Rod only	zinc '39-'57	21.00	
E.	<b>R2781-37P</b>	Screw	park '37-'57	14.38	✳
"	<b>R2781-37C</b>	Screw	chrome '37-'57	18.75	✳
F.	<b>R2783-30</b>	Washer	'30-'57	2.00	
G.	<b>R2784-30P</b>	Washer, adjusting	park '30-'57	6.25	✳
"	<b>R2784-30</b>	Washer, adjusting	cad '30-'57	6.25	✳
"	<b>R2784-30C</b>	Washer, adjusting	chrome '30-'57	8.75	✳
H.	<b>R2785-30P</b>	Nut, adjusting	park '30-'57	7.50	✳
"	<b>R2785-30</b>	Nut, adjusting	cad '30-'57	7.50	✳
"	<b>R2785-30C</b>	Nut, adjusting	chrome '30-'57	10.63	✳
I.	<b>R2787-30</b>	Release spring	'30-'57	4.00	
J.	<b>R2788-30</b>	Washer	'30-'57	1.00	
K.	<b>R2790-30</b>	Washer, fibre friction	'30-'57	4.00	
L.	<b>2791-30</b>	Disc, steel	park '30-'57	14.00	✳ ('39-up type)
"	<b>2791-30cad</b>	Disc, steel	cad '30-'57	14.00	✳ ('39-up type)
M.	<b>R6650-18</b>	Washer, spider	cad '30-'57	5.50	
N.	<b>2792-40</b>	Bracket, frame	park '40-'57	15.00	✳
"	<b>2792-40cad</b>	Bracket, frame	cad '40-'57	14.00	✳



## Skid Plate Parts:

C.	<b>2811-40M</b>	Clamp, right front	park	10.00	✳
D.	<b>2811-41M</b>	Clamp, skid plate	park	10.00	✳
E.	<b>2812-40M</b>	Bracket, left support	park	10.00	✳
F.	<b>2813-40M</b>	Nut, support bracket, (left side)		5.00	✳
G.	<b>R3529-37P</b>	Bolt, clamp	park	2.50	✳
H.	<b>R0117P</b>	Nut, clamp bolts	park	0.95	✳
I.	<b>R0259P</b>	Lockwasher	park	0.20	✳

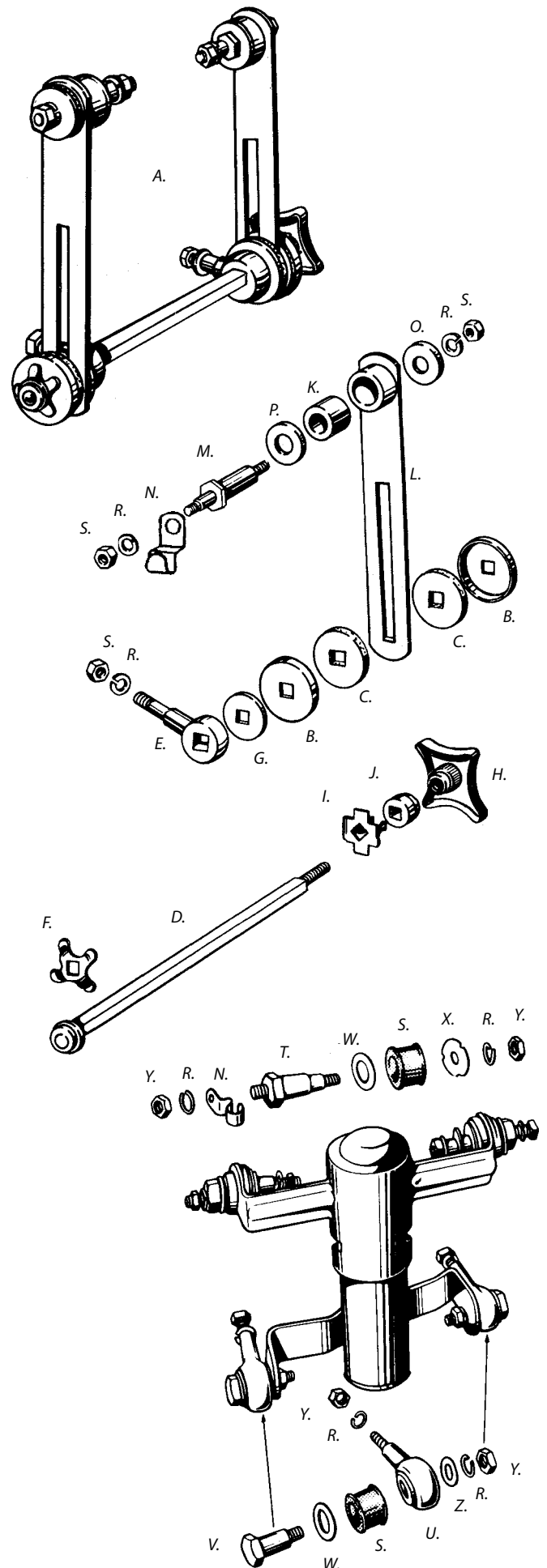


**Ride Control**

<b>A. R11250-36</b>	Ride control complete	'40-'45	n.a. ☉
Will also fit '46-up Springers to replace hydraulic shock absorber. Includes bare (unpainted) knob, parkerized washers and zinc cups.			
<b>B. R13430-33</b>	Friction disc cup	zinc	n.a. ☉
" <b>R13430-33C</b>	Friction disc cup	chrome	7.00 ☉
<b>C. R13431-33</b>	Friction disc		n.a. ☉
<b>D. R13435-36</b>	Adjusting rod	cad	n.a. ☉
" <b>R13435-36C</b>	Adjusting rod	chrome	27.50 ☉
<b>E. R13436-36</b>	Rod & bracket stud	cad	20.00 ☉
" <b>R13436-36C</b>	Rod & bracket stud	chrome	24.00 ☉
<b>F. 13437-33</b>	Spring washer	park	14.00 ☉
" <b>R13437-33</b>	Spring washer	park	7.00 ☉
<b>G. R13438-36</b>	Washer	park	3.00 ☉
" <b>R13438-36C</b>	Washer	chrome	3.50 ☉
<b>H. 13440-33N</b>	Adjusting wheel	green	33.00 ☉
" <b>R13440-33</b>	Adjusting wheel	bare	n.a. ☉
" <b>R13440-33C</b>	Adjusting wheel	chrome	23.00 ☉
<b>I. 13442-33</b>	Spring clip	park	18.00 ☉
" <b>R13442-33</b>	Spring clip	park	n.a. ☉
<b>J. 13444-33</b>	Wheel collar	park	13.00 ☉
" <b>R13444-33P</b>	Wheel collar	park	7.00 ☉
" <b>R13444-33</b>	Wheel collar	cad	7.00 ☉
" <b>R13444-33C</b>	Wheel collar	chrome	7.50 ☉
<b>K. R13454-33</b>	Rubber bushing		9.38 ☉
<b>L. R13456-36</b>	Side plate	chrome	n.a. ☉
<b>M. 13457-36</b>	Side plate stud	park	n.a. ☉
" <b>R13457-36</b>	Side plate stud	park	13.00 ☉
<b>N. R4703-38A</b>	Clamp, wire	park	4.00 ☉
<b>O. R13457-40P</b>	Washer	park	1.25 ☉
" <b>R13457-40cad</b>	Washer	cad	1.38 ☉
" <b>R13457-40C</b>	Washer	chrome	3.13 ☉
<b>P. R13458-36P</b>	Washer	park	1.25 ☉
" <b>R13458-36cad</b>	Washer	cad	1.38 ☉
" <b>R13458-36C</b>	Washer	chrome	1.75 ☉
<b>S. 0129</b>	Nut	park	1.50 ☉
" <b>R0129P</b>	Nut	park	1.44 ☉
" <b>R0129</b>	Nut	cad	1.56 ☉
" <b>R0129C</b>	Nut	chrome	1.75 ☉
<b>R. R0261P</b>	Lockwasher	park	0.25 ☉
" <b>R0261</b>	Lockwasher	zinc	0.25 ☉
" <b>R0261C</b>	Lockwasher	chrome	0.38 ☉

**Shock absorber parts '46-'57**

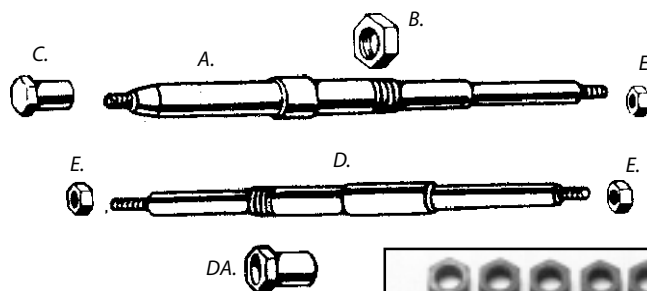
<b>S. R14002-45</b>	Rubber bushing		6.88 ☉
<b>T. R14003-45</b>	Upper stud	park	18.13 ☉
<b>U. R14004-45</b>	Lower stud	park	28.75 ☉
<b>V. R14005-45</b>	Shoulder bolt, lower stud	park	20.00 ☉
<b>W. R14006-45</b>	Washer	park	3.13 ☉
<b>X. R14006-46</b>	Washer, notched	park	3.13 ☉
<b>Y. R0127P</b>	Nut, upper and lower stud	park	1.50 ☉
" <b>R0127</b>	Nut, upper and lower stud	cad	1.63 ☉
" <b>R0127C</b>	Nut, upper and lower stud	chrome	1.06 ☉
<b>R. R0261P</b>	Lockwasher	park	0.25 ☉
" <b>R0261</b>	Lockwasher	zinc	0.25 ☉
" <b>R0261C</b>	Lockwasher	chrome	0.38 ☉
<b>Z. R0224P</b>	Washer	park	0.63 ☉
" <b>R0224</b>	Washer	cad	0.63 ☉
" <b>R0224C</b>	Washer	chrome	0.88 ☉
<b>N. R4703-38A</b>	Clamp, wire	park	4.00 ☉
<b>C3106-18</b>	Shock absorber lower mount kit		123.75 ☉
<b>C3107-16</b>	Shock absorber upper mount kit		67.50 ☉



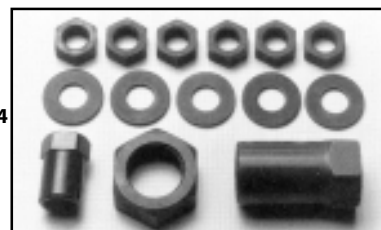
# Footboards

## Footboard Rods

A.	<b>R2928-38</b>	Front rod	park	'38-'63	29.00
"	<b>R2928-38i</b>	Front rod	black	'38-'63	25.00
B.	<b>2932-14</b>	Nut, front rod, large	park	'29-'73	6.00 ☼
C.	<b>2932-38</b>	Nut, front rod, left	park	'38-'73	5.00 ☼
D.	<b>2929-32</b>	Rear rod	park	'32-'52	n.a.
"	<b>R2929-32i</b>	Rear rod	black	'32-'52	25.00
DA.	<b>2932-32</b>	Nut, rear rod	park	'32-'73	8.00 ☼
E.	<b>0129</b>	Nut, footboard rod	park		1.50 ☼
"	<b>R0129P</b>	Nut, footboard rod	park		1.44 ☼
"	<b>R0129</b>	Nut, footboard rod	cad		1.56 ☼
"	<b>R0129C</b>	Nut, footboard rod	chrome		1.75 ☼

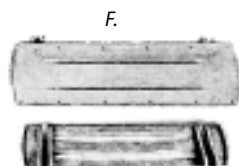


C9802-14



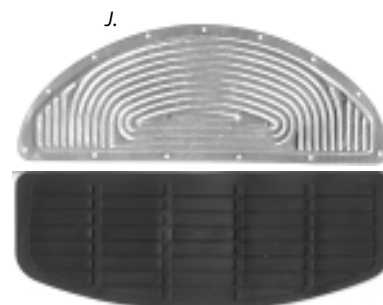
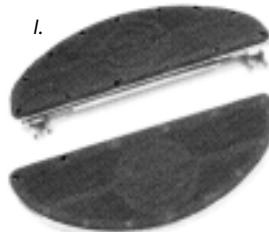
## Footboard Rod Mounting Kits

<b>C9802-14</b>	Footboard rod nut kit	park	37.50 ☼
<b>C9801-14</b>	Footboard rod nut kit	cad	38.75 ☼
<b>C9800-14</b>	Footboard rod nut kit	chrome	48.75 ☼



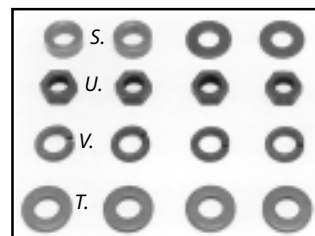
## Footboards '29-'39

F.	<b>R2938-14</b>	Set footboards, bare (without mats)	n.a. ☼
"	<b>R2938-14B</b>	Set footboards, black (without mats)	n.a. ☼
H.	<b>R2941-14</b>	Set of footboard mat rivets (28)	6.95 ☼
"	<b>R2941-42M</b>	Set of footboard mat rivets, shorter (28)	7.95 ☼



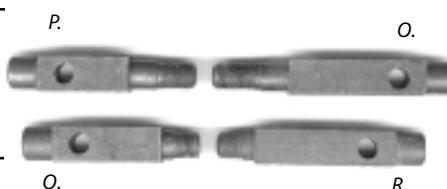
## Footboards '40-'65

I.	<b>R2938-40</b>	Set footboards (no logo)	black	n.a.
"	<b>R2938-40C</b>	Set footboards (no logo)	chrome	37.00
(Above footboard sets include black footboard mats)				
"	<b>R2938-40M</b>	Set footboards, black/steel plates		n.a.
"	<b>R2938-40MC</b>	Set footboards, chrome/ chrome plates		n.a.
"	<b>R2940-40C</b>	Set steel plates	chrome	n.a.
H.	<b>R2941-14</b>	Set of mat rivets (28) long, use with mats		6.95 ☼
"	<b>R2941-42M</b>	Set of mat rivets (28) short, use with plates		7.95 ☼



## '66-'73 models

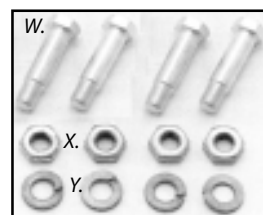
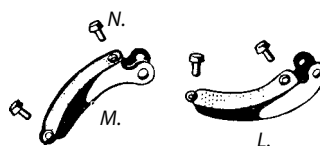
K.	<b>R50614-66</b>	Set footboard mats	black	'66-'73	11.00
"	<b>50616-66</b>	Set footboard mats	white	'66-'73	25.00 ☼



C9906-14

## Footboard Mounting

L.	<b>2944-40</b>	Hinge, repair r-front, l-rear	'40-'65	14.00 ☼	
M.	<b>2944-40A</b>	Hinge, repair l-front, r-rear	'40-'65	19.00 ☼	
N.	<b>2945-14</b>	Rivet, footboard hinge	'14-'65	1.00 ☼	
O.	<b>2949-35</b>	Stud right front	'40-'73	10.00 ☼	
"	<b>R2949-35P</b>	Stud right front	'40-'73	10.63 ☼	
P.	<b>2950-35</b>	Stud left front	'35-'73	10.00 ☼	
"	<b>R2950-35P</b>	Stud left front	'35-'73	10.63 ☼	
Q.	<b>R2951-24P</b>	Stud left rear	'30-'73	12.50 ☼	
R.	<b>R2951-35P</b>	Stud right rear	'35-'52	10.63 ☼	
	<b>C2579-18</b>	Set footboard studs	park	'35-'52	49.38 ☼
	<b>R2949-35kit</b>	Set footboard studs	zinc	'35-'52	18.00
S.	<b>2952-35</b>	Spacer, for use without front safety guard		2.50 ☼	
T.	<b>R0225P</b>	Washer, heavy	park	0.63 ☼	
U.	<b>0129</b>	Nut	park	1.50 ☼	
"	<b>R0129P</b>	Nut	park	1.44 ☼	
"	<b>R0129</b>	Nut	cad	1.56 ☼	
"	<b>R0129C</b>	Nut	chrome	1.75 ☼	
V.	<b>R0261P</b>	Lockwasher	park	0.25 ☼	
"	<b>R0261</b>	Lockwasher	zinc	0.25 ☼	
"	<b>R0261C</b>	Lockwasher	chrome	0.38 ☼	
	<b>C9906-14</b>	Footboard stud mtg. kit	park	7.50 ☼	



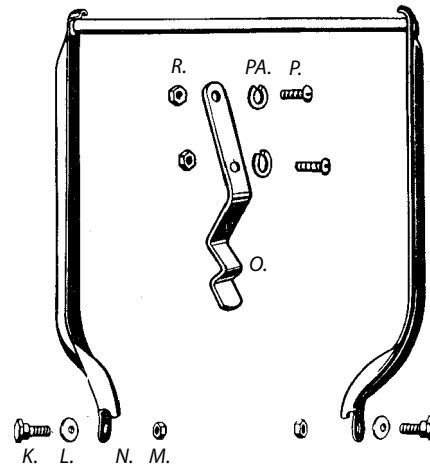
C8773-12

## Hinge Bolts, to mount footboards to studs

<b>R2954-14</b>	Bolt, slotted head	park	'29-'41	4.45 ☼	
W.	<b>2954-42</b>	Bolt, hex head	park	'42-'73	5.00 ☼
"	<b>R2954-42P</b>	Bolt, hex head	park	'42-'73	3.44 ☼
"	<b>R2954-42</b>	Bolt, hex head	cad	'42-'73	4.06 ☼
"	<b>R2954-42C</b>	Bolt, hex head	chrome	'42-'73	4.38 ☼
X.	<b>0108</b>	Nut	park	1.50 ☼	
"	<b>R0108P</b>	Nut	park	1.13 ☼	
"	<b>R0108M</b>	Nut	cad	1.19 ☼	
Y.	<b>R0256P</b>	Lockwasher	park	0.25 ☼	
"	<b>R0256</b>	Lockwasher	zinc	0.25 ☼	
	<b>C9886-12</b>	Hinge bolt kit	park	'29-'41	16.25 ☼
	<b>C9685-12</b>	Hinge bolt kit	park	'42-'73	15.94 ☼
	<b>C8773-12</b>	Hinge bolt kit	cad	'42-'73	16.88 ☼

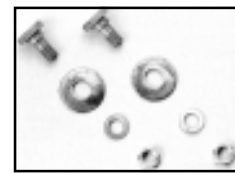
Rear Stand

	<b>R3060-36</b>	Shoulder bolt	park	'37-'38	10.00 ☼
K.	<b>R3060-38B</b>	Shoulder bolt	black	'39-'57	4.00
"	<b>R3060-38P</b>	Shoulder bolt	park	'39-'57	10.00 ☼
"	<b>R3060-38</b>	Shoulder bolt	cad	'39-'57	10.00 ☼
"	<b>R3060-38C</b>	Shoulder bolt	chrome	'39-'57	11.25 ☼
L.	<b>R3063-38P</b>	Washer, bolt	park	'39-'57	1.63 ☼
"	<b>R3063-38</b>	Washer, bolt	cad	'39-'57	1.63 ☼
"	<b>R3063-38C</b>	Washer, bolt	chrome	'39-'57	1.88 ☼
M.	<b>0129</b>	Nut	park		1.50 ☼
"	<b>R0129P</b>	Nut	park		1.44 ☼
"	<b>R0129</b>	Nut	cad		1.56 ☼
"	<b>R0129C</b>	Nut	chrome		1.75 ☼
N.	<b>R0261P</b>	Lockwasher	park		0.25 ☼
"	<b>R0261</b>	Lockwasher	zinc		0.25 ☼
"	<b>R0261C</b>	Lockwasher	chrome		0.38 ☼



Rear Stand Catch

O.	<b>3067-36A</b>	Catch, stand	park	'37-'52	n.a. ☼
"	<b>3067-42</b>	Catch, stand	park	Military	18.50 ☼
P.	<b>R051P</b>	Screw	park		1.44 ☼
"	<b>R051</b>	Screw	cad		1.50 ☼
"	<b>R051C</b>	Screw	chrome		2.63 ☼
PA.	<b>R0256P</b>	Lockwasher	park		0.25 ☼
"	<b>R0256</b>	Lockwasher	zinc		0.25 ☼
"	<b>R0256C</b>	Lockwasher	chrome		0.38 ☼
R.	<b>0108</b>	Nut	park		1.50 ☼
"	<b>R0108P</b>	Nut	park		1.13 ☼
"	<b>R0108M</b>	Nut	cad		1.19 ☼
"	<b>R0108C</b>	Nut	chrome		0.88 ☼



C8015-4cad

Rear Stand Mounting Kit

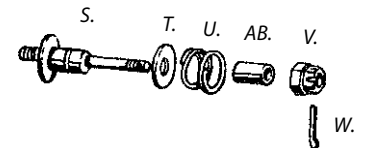
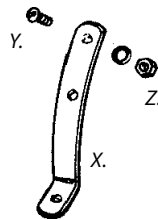
Kits include 2 shoulder bolts, special washers and nuts.

<b>C8841-10</b>	Mounting kit	park	'36-'38	21.88 ☼
<b>C8015-4park</b>	Mounting kit	park	'39-'52	23.75 ☼
<b>C8015-4cad</b>	Mounting kit	cad	'39-'52	24.38 ☼
<b>C9616-4</b>	Mounting kit	chrome	'39-'52	27.50 ☼

Front Stand Parts

Forks with outside rockers only: '42-'43 WLC and '41-'57 Servi-car

S.	<b>2640-31E</b>	Rocker stud	park		10.00 ☼
"	<b>2640-31Ecad</b>	Rocker stud	cad		10.00 ☼
T.	<b>R0223P</b>	Washer	park		1.13 ☼
"	<b>R0223</b>	Washer	cad		1.13 ☼
"	<b>R0223C</b>	Washer	chrome		1.50 ☼
U.	<b>R3061-24</b>	Spring	cad		2.40 ☼
"	<b>R3061-24P</b>	Spring	park		2.19 ☼
AB.	<b>R3011-30</b>	Bushing/spacer	park		3.75 ☼
V.	<b>R0128P</b>	Castle nut	park		2.00 ☼
"	<b>R0128</b>	Castle nut	cad		2.13 ☼
"	<b>R0128C</b>	Castle nut	chrome		2.31 ☼
W.	<b>R0291P</b>	Cotter pin	park		0.19 ☼
"	<b>R0291</b>	Cotter pin	zinc		0.15 ☼



X.	<b>R3006-36</b>	Catch	park		17.00
Y.	<b>R042P</b>	Screw	park		0.63 ☼
"	<b>R042</b>	Screw	cad		0.69 ☼
"	<b>R042C</b>	Screw	chrome		0.88 ☼
"	<b>R0205P</b>	Washer	park		0.38 ☼
"	<b>R0255P</b>	Lockwasher	park		0.25 ☼
Z.	<b>R0106P</b>	Nut	park		0.50 ☼
"	<b>R0106Z</b>	Nut	zinc		0.30 ☼

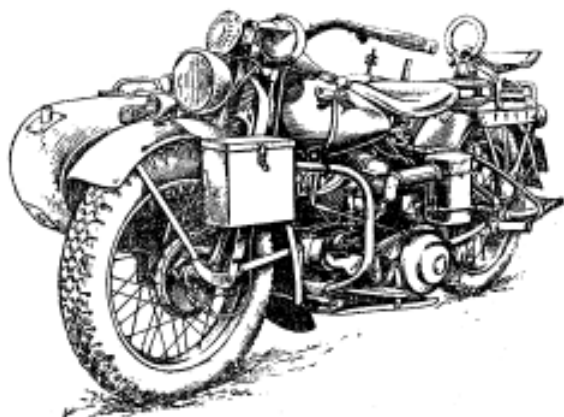


Рис. 1. Вид мотоцикла с коляской и задним седлом М-72

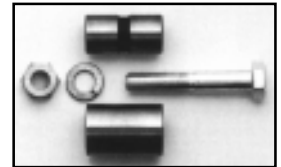
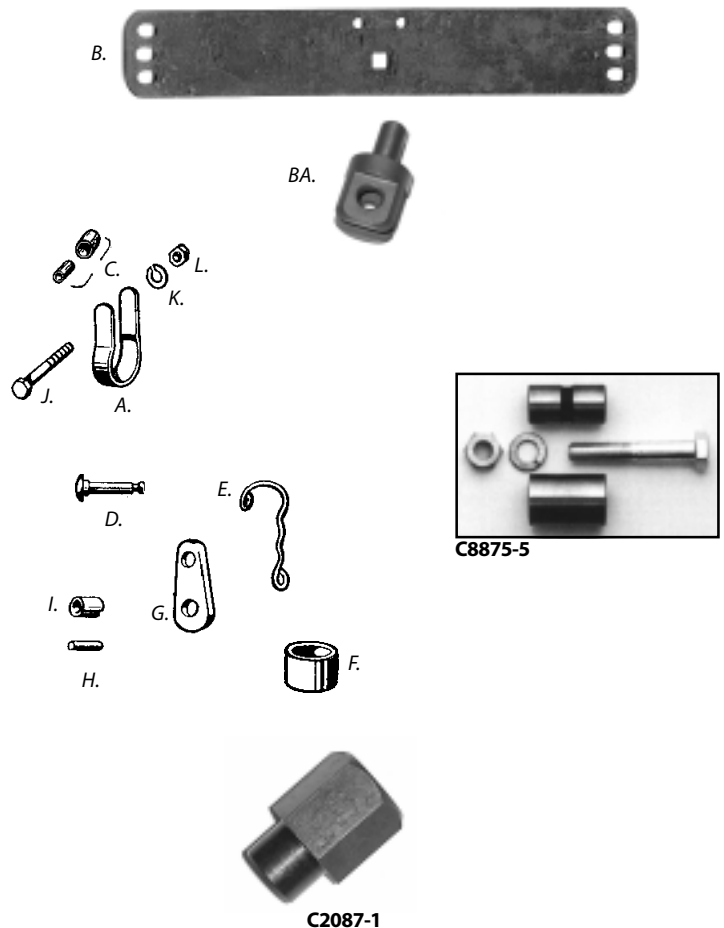


<b>R13999-X</b>	Registration certificate holder	20.00
-----------------	---------------------------------	-------

Early accessory item made by Superior

## Seat Parts

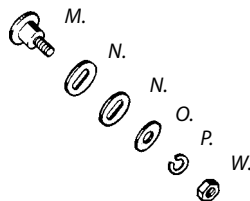
A.	<b>3101-26</b>	Bracket, seat bar	'29-'73	n.a.
B.	<b>3103-41N</b>	Plate, seat T (short T-bar)	Military	n.a.
	<b>0319</b>	Rivet, plate		2.50 ☼
BA.	<b>R3104-41</b>	Clevis, seat T (short T-bar)	Military	n.a.
C.	<b>R3110-37</b>	Bushing set	'37-'73	12.50
	<b>C9676-5</b>	Bushing and bolt set park	'37-'73	38.75 ☼
	<b>C8875-5</b>	Bushing and bolt set cad	'37-'73	40.00 ☼
	<b>R0340</b>	Grease nipple Nickle	'29-'37	3.75 ☼
	<b>R0344P</b>	Grease nipple park	'38-'73	2.63 ☼
	<b>R0344</b>	Grease nipple zinc	'38-'73	2.63 ☼
	<b>R0344C</b>	Grease nipple chrome	'38-'73	2.75 ☼
	<b>3111-12</b>	Pin, cotter pin type park	'12-'73	1.50 ☼
	<b>3111-12.10pack</b>	10 Pins, cotter pin type		10.00 ☼
D.	<b>3111-29</b>	Pin, seat bar clevis park	'29-'73	7.00 ☼
"	<b>R3111-29</b>	Pin, seat bar clevis park	'29-'73	2.00
	<b>R3111-29.10pack</b>	10 Pins, seat bar clevis		15.00
E.	<b>R3112-29</b>	Spring, standard T	'29-'73	4.75
"	<b>3112-42</b>	Spring, short T-bar	WLA/WLC	5.00 ☼
F.	<b>3113-29</b>	Bushing, seat post (in frame)	'29-'73	11.00 ☼
"	<b>3113-29.4pack</b>	Bushings, seat post (in frame)	'29-'73	36.50 ☼
	<b>C2087-1</b>	Seat post bushing installer		17.81 ☼
G.	<b>3117-29</b>	Link, plunger repair	'29-'73	n.a.
H.	<b>3118-29</b>	Rivet, plinger link	'29-'73	5.00 ☼
I.	<b>3119-13</b>	Bushing, plunger link	'29-'73	6.00 ☼
J.	<b>R068PS</b>	Bolt, bracket plain head park		2.63 ☼
"	<b>R068P</b>	Bolt, bracket "1038 cp" park		2.63 ☼
"	<b>R068</b>	Bolt, bracket "1038 cp" cad		2.81 ☼
"	<b>R068C</b>	Bolt, bracket chrome		1.50 ☼
K.	<b>R0259P</b>	Lockwasher park		0.25 ☼
"	<b>R0259</b>	Lockwasher zinc		0.25 ☼
"	<b>R0259C</b>	Lockwasher chrome		0.38 ☼
L.	<b>R0117P</b>	Nut park		1.19 ☼
"	<b>R0117M</b>	Nut cad		1.25 ☼
"	<b>R0117C</b>	Nut chrome		0.94 ☼



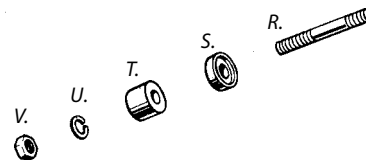
C2087-1

## Solo Seat Mounting

M.	<b>3187-34</b>	Bolt, front park	5.00 ☼
"	<b>R3187-34</b>	Bolt, front cad	10.00 ☼
N.	<b>3189-34</b>	Washer, curved park	4.00 ☼
"	<b>R3189-34P</b>	Washer, curved park	3.13 ☼
"	<b>R3189-34</b>	Washer, curved cad	3.13 ☼
O.	<b>R0225P</b>	Washer, heavy park	0.63 ☼
P.	<b>R0261P</b>	Lockwasher park	0.25 ☼
"	<b>R0261</b>	Lockwasher zinc	0.25 ☼
W.	<b>0129</b>	Nut park	1.50 ☼
"	<b>R0129P</b>	Nut park	1.44 ☼
"	<b>R0129</b>	Nut cad	1.56 ☼



R.	<b>3205-34</b>	Stud park	n.a. ☼
"	<b>R3205-34</b>	Stud park	4.06 ☼
S.	<b>R3209-31P</b>	Spacer 1/4" park	3.13 ☼
"	<b>R3209-31</b>	Spacer 1/4" cad	3.13 ☼
T.	<b>R3209-38P</b>	Spacer 1/2" park	3.13 ☼
"	<b>R3209-38</b>	Spacer 1/2" cad	3.13 ☼
U.	<b>R0259P</b>	Lockwasher park	0.25 ☼
"	<b>R0259</b>	Lockwasher zinc	0.25 ☼
"	<b>R0259C</b>	Lockwasher chrome	0.38 ☼
V.	<b>R0117P</b>	Nut park	1.19 ☼
"	<b>R0117M</b>	Nut cad	1.25 ☼
"	<b>R0117C</b>	Nut chrome	0.94 ☼



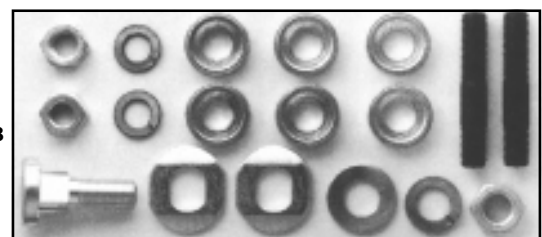
## Solo Seat Mounting Kit

Includes bolts and washers, rear studs with spacers, etc. (as pictured)

<b>C9696-18</b>	parkerized kit	40.00 ☼
<b>C8873-18</b>	cad plated kit	40.63 ☼



C8873-18



**Seat Post Springs and Parts**

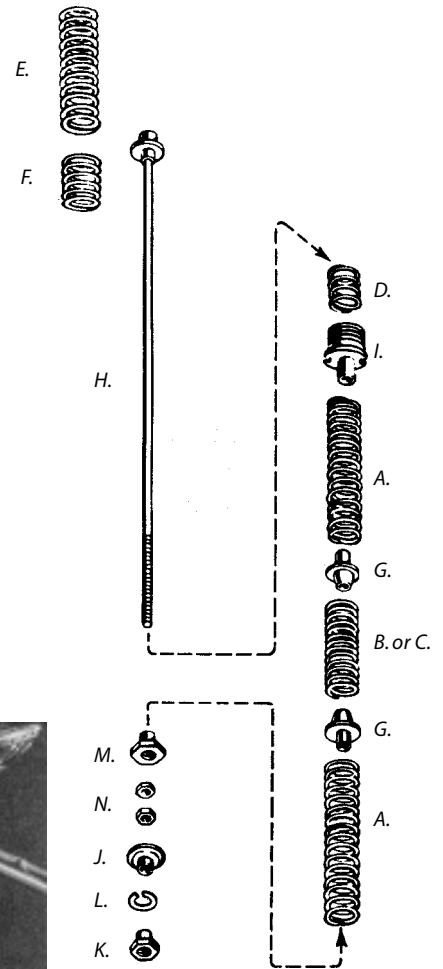
A. <b>R3128-31</b>	Spring, cushion	5-1/8"	12.00
B. <b>3129-31</b>	Spring, cushion	2-13/16"	5.00 ☉
C. <b>R3129-31C</b>	Spring, extra heavy	3-3/16"	11.00
" <b>R3129-31A</b>	Spring, extra heavy, with collar guides		18.00
D. <b>R3133-30</b>	Spring, recoil	1"	3.50
E. <b>R3135-30</b>	Spring, auxiliary	2-15/16"	4.00
F. <b>R186-10</b>	Spring, auxiliary	2-7/16"	5.00

Note: auxiliary springs fit in plunger above rod.

G. <b>R3138-31</b>	Collar guide, standard springs		5.63 ☉
" <b>R3138-29A</b>	Collar guide, heavy springs		5.63 ☉

H. <b>3137-41M</b>	Rod, 14 3/4" / 37,5 cm	early WLA/WLC	15.00 ☉
" <b>R3137-30</b>	Rod, 15 3/4" / 40 cm	standard length	41.25 ☉
" <b>R3137-30S</b>	Rod, 16 3/4" / 42,5 cm	extra long	31.00 ☉

I. <b>3141-29</b>	Nut, plunger lock		18.00 ☉
J. <b>3143-25</b>	Nut, seat post rod		3.50 ☉
K. <b>3144-25</b>	Nut, rod lock	park	5.00 ☉
L. <b>R0269P</b>	Lockwasher	park	1.50 ☉
M. <b>3147-29A</b>	Nut, spring adjusting		3.50 ☉
N. <b>0129</b>	Nut, lock	park	1.50 ☉
" <b>R0129P</b>	Nut, lock	park	1.44 ☉



	UNDER 130 LB RIDER	90 TO 150 LB RIDER	150 TO 220 LB RIDER	OVER 220 LB RIDER
			Standard	heavy
3135-30	3135-30	3135-30	3135-30	3135-30
3133-30	3133-30	3133-30	186-10	186-10
3133-30	3133-30	3133-30	3133-30	3133-30
3128-31	3128-31	3128-31	3128-31	3128-31
186-10	3129-31	3129-31	3129-31	3129-31A
18-92E	3128-31	3128-31	3128-31	3128-31

ADJUST LENGTH 12 INCHES

ADJUST LENGTH 12 INCHES

ADJUST LENGTH 12 INCHES FOR 150 TO 180 LB RIDER  
(3129-36A) ADJUST LENGTH 11 1/2 INCHES FOR 150 TO 220 LB RIDER

ADJUST LENGTH 11 1/2 INCHES

**Seat Post Spring Sets**

Seat post spring sets are available standard or extra heavy, depending on weight of rider, see chart. Each set also includes two spring guides, except set **3128-29**, which includes only one (as original).

**Standard spring sets**

<b>3128-29</b> Lower springs only	(3)	32.00 ☉
<b>R3128-31A</b> Complete set	(6)	37.00
<b>R3128-31A.5pack</b>	5 Sets	155.00

**Extra heavy spring sets**

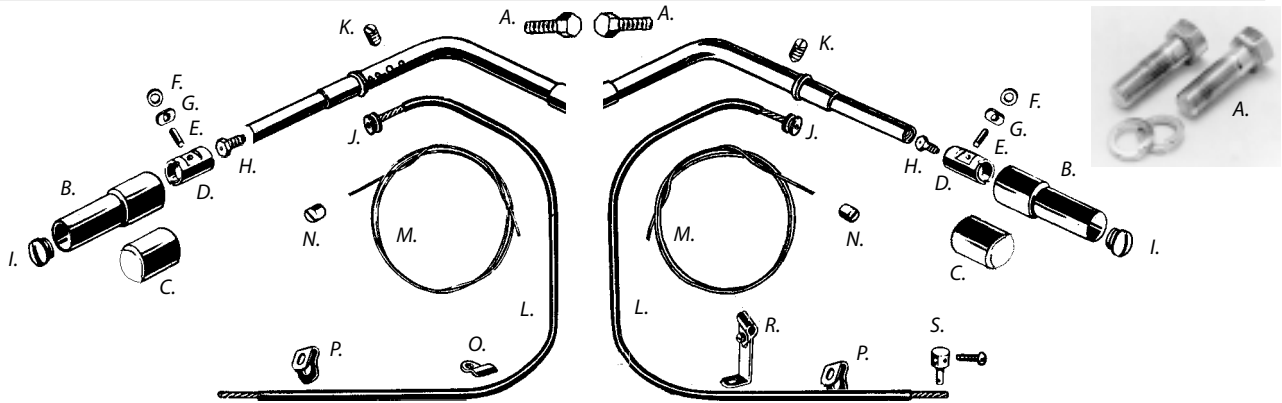
<b>R3128-29A</b> Lower springs only	(3)	33.00
<b>R3128-31B</b> Complete set	(6)	45.00
<b>R3128-31B.5pack</b>	5 Sets	185.00

**Special spring set**

<b>R3128-42</b> Complete set	(5)	32.00
------------------------------	-----	-------

Use on military models with short T-bar.

# Handlebar Parts



	<b>R2655-37P</b>	Bolt, triple clamp	park	'37-'39	5.00	⊕
A.	<b>R6033-30P</b>	Bolt "1035 cp"	park	'40-'57	5.13	⊕
"	<b>R6033-30</b>	Bolt "1035 cp"	cad	'40-'57	5.13	⊕
"	<b>R6033-30C</b>	Bolt	chrome	'40-'57	6.88	⊕
"	<b>C2992-4</b>	Pair of machined bolts	park	'40-'57	10.63	⊕
	<b>R3310-35B</b>	Pair of handlebar grips	black		8.00	
	<b>R3310-35W</b>	Pair of handlebar grips	white		9.00	
B.	<b>R3312-35</b>	Spiral, handlebar	bare	'35-'48		
"	<b>R3312-35C</b>	Spiral, handlebar	chrome	'35-'48		
"	<b>R3312-35A</b>	Spiral, left hand throttle	bare	'35-'48		
"	<b>R3312-35AC</b>	Spiral, left hand throttle	chrome	'35-'48		
C.	<b>R3314-35C</b>	Replacement sleeve	chrome			
D.	<b>R3316-31</b>	Plunger		'31-'39	20.00	⊕
"	<b>R3316-36</b>	Plunger		'40-'48	20.00	⊕
E.	<b>305-15</b>	Plunger pin		'31-'48	1.50	⊕
F.	<b>R3320-10</b>	Roller, plain		'11-'73	2.50	⊕
G.	<b>R3321-31</b>	Roller, block		'31-'48	3.13	⊕
H.	<b>R3322-31</b>	Screw, wire fastening		'31-'48	3.13	⊕
	<b>C8923-8</b>	Handlebar roller & pin kit		'31-'48	22.50	⊕

I.	<b>R3330-31</b>	End nut (screw) 13/16"-24		'31-'39	9.38	⊕
"	<b>R3330-36</b>	End nut (screw) 57/64"-24		'40-'48	8.75	⊕
J.	<b>R3332-36</b>	Plug, control coil		'40-'48	4.00	⊕
K.	<b>R3333-31</b>	Screw, control coil plug		'31-'48	1.25	⊕

## Handlebar Control Cables

Includes plug and inner cable

L.	<b>R3334-32</b>	plastic covered	130 cm	'37-'48	37.50	⊕
"	<b>R3334-39</b>	cotton braided	130 cm	'37-'48	n.a.	
M.	<b>R3326-09</b>	Inner cable	150 cm	'29-'48	4.50	⊕
N.	<b>R3324-09</b>	End, control cable		'29-'48	1.25	⊕

## Timer cable clamps

O.	<b>3344-26</b>	Clamp, frame head	park	'29-'63	11.00	⊕
"	<b>R3344-26</b>	Clamp, frame head	park	'29-'63	9.00	⊕
"	<b>R3344-26C</b>	Clamp, frame head	chrome	'29-'63	9.50	⊕
	<b>R035</b>	Screw, frame head	cad	'29-'63	0.69	⊕
P.	<b>R4162-30</b>	Clamp, cylinder base	park	'37-'63	6.25	⊕

## Throttle cable clamps

	<b>R3345-26</b>	Clamp, frame head	park	'29-'41	10.00	⊕
	<b>R3345-26C</b>	Clamp, frame head	chrome	'29-'41	10.50	⊕
	<b>R035</b>	Screw, frame head	cad	'29-'41	0.69	⊕
S.	<b>R3370-36</b>	Connection	cad	'37-'65	14.38	⊕
"	<b>R3370-36S</b>	Connection, oversize for worn levers			15.00	⊕
R.	<b>R3371-37</b>	Bracket, head stud	park		18.13	⊕
				('37-'46 iron heads only)		
P.	<b>R4162-30</b>	Clamp, tank bolt	park		6.25	⊕
				('47-'52 iron heads and all aluminum heads)		



D.

C8923-8

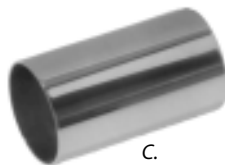


Standard spiral.  
Pushes cable on right side, pulls on left side.

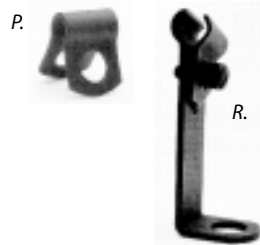


Left hand throttle spiral.  
Pushes cable on left side, pulls on right side.

For '49-up handlebar parts  
see Panhead catalog.



C.



P.

R.

<b>C2552-2</b>	Pair of cable clamps (throttle and timer)	12.50	⊕
	Use with '49 and later (thinner) cables		

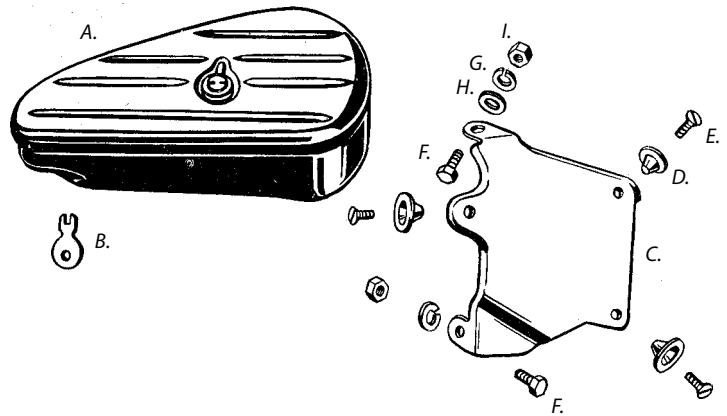


**Tool Box**

A.	<b>R3452-40</b>	Tool box , with keys	black	'41-'52	85.00
"	<b>R3452-40C</b>	Tool box , with keys	chrome	'41-'52	62.50
B.	<b>3464-26</b>	Key, tool box		'29-'52	8.00 ☉

**Mounting Parts**

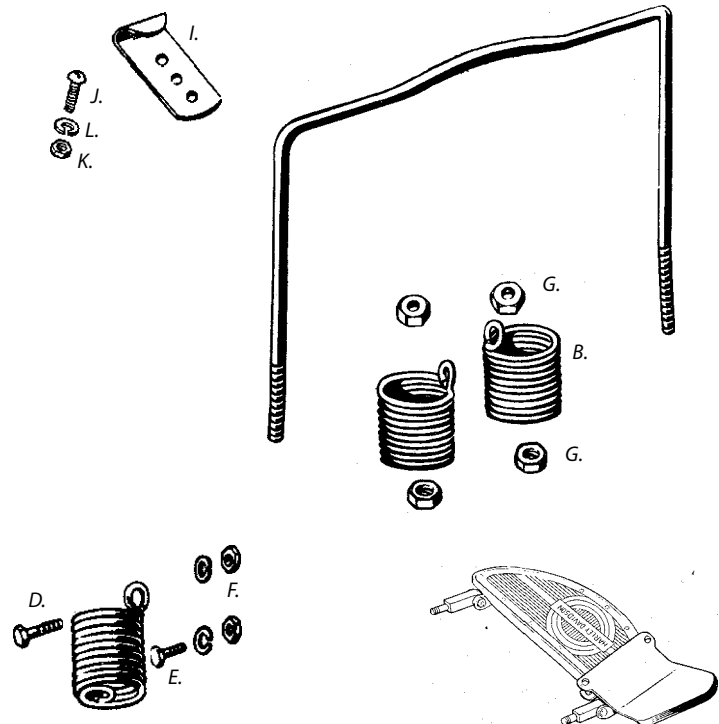
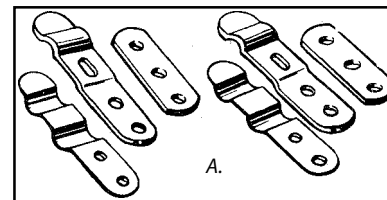
C.	<b>R3467-41</b>	Bracket, tool box	black	'41-'52	32.50
D.	<b>R3478-35P</b>	Washer, screw	park	'35-'52	2.50 ☉
"	<b>R3478-35</b>	Washer, screw	cad	'35-'52	2.50 ☉
E.	<b>R3805-30AP</b>	Screw, tool box	park	'41-'52	5.00 ☉
"	<b>R3805-30A</b>	Screw, tool box	cad	'41-'52	5.00 ☉
F.	<b>R064P</b>	Bolt "1038 cp"	park		1.81 ☉
"	<b>R064PS</b>	Bolt	park		1.81 ☉
"	<b>R064</b>	Bolt	cad		1.88 ☉
"	<b>R064C</b>	Bolt	chrome		2.13 ☉
G.	<b>R0259P</b>	Lockwasher	park		0.25 ☉
"	<b>R0259</b>	Lockwasher	zinc		0.25 ☉
"	<b>R0259C</b>	Lockwasher	chrome		0.38 ☉



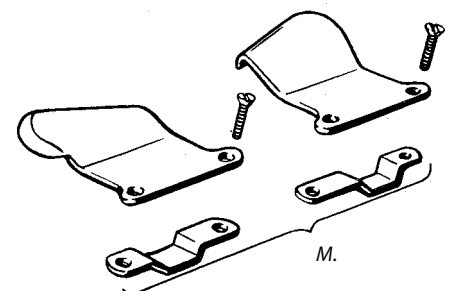
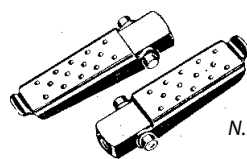
H.	<b>R0214P</b>	Washer	park		0.50 ☉
"	<b>R0214</b>	Washer	cad		0.50 ☉
"	<b>R0214C</b>	Washer	chrome		0.65 ☉
I.	<b>R0117P</b>	Nut	park		1.19 ☉
"	<b>R0117M</b>	Nut	cad		1.25 ☉
"	<b>R0117C</b>	Nut	chrome		0.94 ☉

**Buddy Seat Parts**

A.	<b>R11240-41B</b>	Set clips, with bolts		'33-'52	42.00
	<b>13314-33</b>	Bolt, clip 1-3/8"	park	'33-'52	
	<b>13316-33</b>	Bolt, clip 7/8"	park	'33-'52	
B.	<b>13322-33N</b>	Spring	green	'33-'52	20.00 ☉
"	<b>R13322-33C</b>	Spring	chrome	'33-'52	n.a.
D.	<b>13328-41</b>	Auxiliary spring bolt	park	'41-'52	8.00 ☉
E.	<b>R066P</b>	Bolt	park	'41-'52	2.19 ☉
F.	<b>R0117A</b>	Nut, spring bolt	park	'35-'52	1.44 ☉
G.	<b>2641-30</b>	Nut, spring yoke	park	'33-'52	2.00 ☉
"	<b>2641-30C</b>	Nut, spring yoke	chrome	'33-'52	3.00 ☉
I.	<b>R13340-41</b>	Hook, spring yoke	black	'41-'52	17.00 ☉
J.	<b>R051P</b>	Screw	park		1.44 ☉
"	<b>R051</b>	Screw	cad		1.50 ☉
"	<b>R051C</b>	Screw	chrome		2.63 ☉
K.	<b>0108</b>	Nut	park		1.50 ☉
"	<b>R0108P</b>	Nut	park		1.13 ☉
"	<b>R0108M</b>	Nut	cad		1.19 ☉
"	<b>R0108C</b>	Nut	chrome		0.88 ☉
L.	<b>R0256P</b>	Lockwasher	park		0.25 ☉
"	<b>R0256</b>	Lockwasher	zinc		0.25 ☉
"	<b>R0256C</b>	Lockwasher	chrome		0.38 ☉



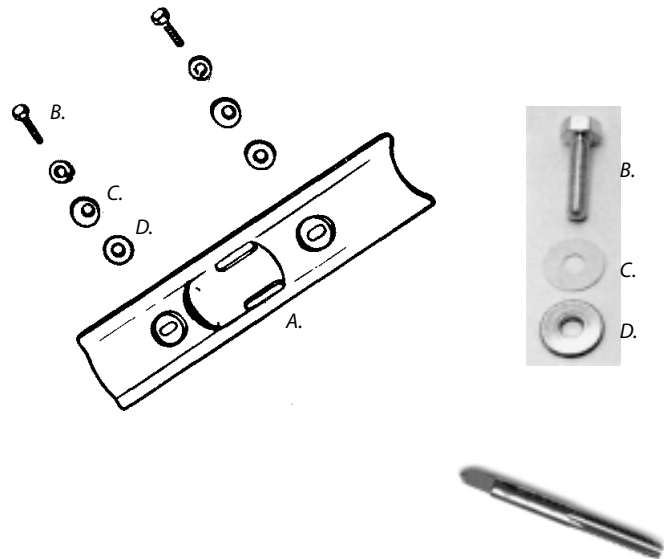
M.	<b>R13344-33</b>	Set footboard extensions	park		n.a. ☉
"	<b>R13344-33C</b>	Set footboard extensions	chrome		n.a. ☉
N.	<b>R11241-29</b>	Set footrests	zinc		41.00
"	<b>R11241-29P</b>	Set footrests	park		48.00



## Tank Parts

### Tank Top Strip

A.	<b>R3502-37BN</b>	Filler strip, tank top	green	'37-'73	27.00
"	<b>R3502-37BC</b>	Filler strip, tank top	chrome	'37-'73	35.00
B.	<b>R3532-18P</b>	Screw		7/32"-32 park	4.38 ✖
"	<b>3532-18</b>	Screw		7/32"-32 cad	5.00 ✖
"	<b>R3532-18</b>	Screw		7/32"-32 cad	4.38 ✖
"	<b>R3532-18C</b>	Screw		7/32"-32 chrome	n.a. ✖
"	<b>R3532-18NI</b>	Screw		7/32"-32 Nickle	4.38 ✖
"	<b>3532-18S</b>	Screw, oversize		1/4"-32 park	4.00 ✖
"	<b>R3532-18SP</b>	Screw, oversize		1/4"-28 park	4.38 ✖
"	<b>R3532-18S</b>	Screw, oversize		1/4"-28 cad	4.38 ✖
"	<b>R3532-18SC</b>	Screw, oversize		1/4"-28 chrome	3.50 ✖
"	<b>R3532-18SNI</b>	Screw, oversize		1/4"-28 Nickle	4.38 ✖
C.	<b>R3533-18P</b>	Washer, tank top screw		park	2.00 ✖
"	<b>R3533-18</b>	Washer, tank top screw		cad	2.00 ✖
"	<b>R3533-18C</b>	Washer, tank top screw		chrome	2.81 ✖
"	<b>R3533-18NI</b>	Washer, tank top screw		Nickle	2.00 ✖
"	<b>R3533-18SP</b>	Washer, oversize screw		park	2.00 ✖
"	<b>R3533-18S</b>	Washer, oversize screw		cad	1.60 ✖
"	<b>R3533-18SC</b>	Washer, oversize screw		chrome	n.a. ✖
"	<b>R3533-18SNI</b>	Washer, oversize screw		Nickle	2.00 ✖
	<b>C3492-2</b>	Pair of 2 bungs, 7/32" -32 to weld on frame			25.00 ✖
D.	<b>3534-34</b>	Paper washer, tank top screw			1.50 ✖
"	<b>R3534-34</b>	Paper washer, tank top screw			0.50 ✖



<b>tap160-001</b>	Tap, standard screw	7/32"-32	n.a.
<b>M1423T</b>	Tap, oversize screw	1/4"-28	n.a.
<b>tap160-003</b>	Tap, oversize screw	1/4"-32	n.a.

### Drain Plug

E.	<b>R2326-38P</b>	Drain plug		5/8"-18 park	7.50 ✖
"	<b>R2326-38</b>	Drain plug		5/8"-18 cad	7.50 ✖
"	<b>R2326-38C</b>	Drain plug		5/8"-18 chrome	10.63 ✖
F.	<b>R2326-38MAGP</b>	Drain plug with magnet		park	n.a.
"	<b>R2326-38MAG</b>	Drain plug with magnet		cad	n.a.
"	<b>R2326-38MAGC</b>	Drain plug with magnet		chrome	n.a.
	<b>R3504-38C</b>	Gasket, drain plug		copper	0.55 ✖



G.	<b>R3505-37</b>	Rod, oil tank gauge	'37-'73	9.00
----	-----------------	---------------------	---------	------

### Oil Tank Caps

	<b>3507-37N</b>	Cap, oil tank	green		23.00 ✖
		(original oil tank cap, paint can be damaged)			
	<b>R3507-37decal</b>	"OIL" decal	self-adhesive		2.40

Civilian models oil tank, military models oil tank and oil cap.



### Gas Tank Caps

H.	<b>R3507-36C</b>	Gas tank cap	chrome	n.a.
		Low model tank cap, includes rubber gasket.		
I.	<b>R3507-43C</b>	Gas tank cap	chrome	16.50
		High model tank cap, has medium high and finer than original knurling at edge, includes rubber gasket.		



<b>Capcover-65</b>	Tank cap cover	chrome	9.00
	fits over all '36-'72 tank caps ( approx. 65 mm I.D.)		

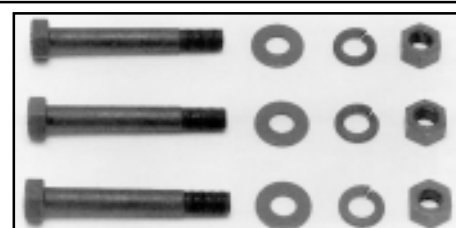


### Tank Mounting Hardware

K.	<b>R3529-37PS</b>	Bolt		park	3.13 ✖
"	<b>R3529-37P</b>	Bolt	"1038 cp"	park	3.13 ✖
"	<b>R3529-37</b>	Bolt	"1038 cp"	cad	3.25 ✖
"	<b>R3529-37C</b>	Bolt		chrome	3.75 ✖
L.	<b>R0117P</b>	Nut		park	1.19 ✖
"	<b>R0117M</b>	Nut		cad	1.25 ✖
"	<b>R0117C</b>	Nut		chrome	0.94 ✖
M.	<b>R0214P</b>	Washer		park	0.50 ✖
"	<b>R0214</b>	Washer		cad	0.50 ✖
"	<b>R0214C</b>	Washer		chrome	0.65 ✖
N.	<b>R0259P</b>	Lockwasher		park	0.25 ✖
"	<b>R0259</b>	Lockwasher		zinc	0.25 ✖
"	<b>R0259C</b>	Lockwasher		chrome	0.38 ✖

### Tank Mounting Kits

	Exact replacement hardware to mount tanks to frame.				
	<b>C3039-12</b>	Mounting kit	plain heads	park	13.75 ✖
	<b>C9896-12</b>	Mounting kit	"1038 cp"	park	13.75 ✖
	<b>C9895-12</b>	Mounting kit	"1038 cp"	cad	14.06 ✖
	<b>C9894-12</b>	Mounting kit		chrome	16.25 ✖



**C9896-12**

## Tank Emblems

A.	<b>R3531-40M</b>	Caution plate	brass	WLA models	n.a.
AB.	<b>R3531-42M</b>	Caution plate	brass	WLA models	17.00
AC.	<b>R3531-44M</b>	Caution plate	brass	WLA models	21.50
B.	<b>R3531-42A</b>	Caution plate	brass	WLC models	n.a.
BB.	<b>R3531-43A</b>	Caution plate	brass	WLC models	17.00
"	<b>R3531-43AS</b>	Caution plate	steel	WLC models	17.50



A.



AB.



AC.

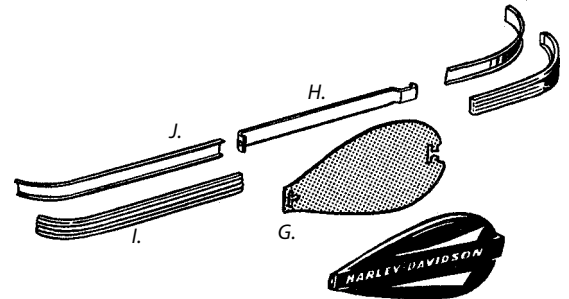


B.

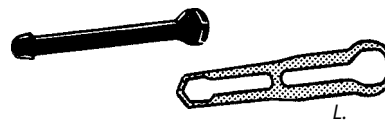


BB.

G.	<b>R3507-41</b>	Gaskets (2)	paper	'40-'46	25.00 ☼
H.	<b>R3508-40A</b>	Mounting brackets		'40-'46	12.00 ☼
I.	<b>R3514-41A</b>	Strips	(4)	'41-'46	
"	<b>61798-41T</b>	Strips	(4)	'41-'46	38.00
J.	<b>R3514-41BC</b>	Brackets	(4)	'41-'46	37.00 ☼
"	<b>R3514-41D</b>	Strips & brackets	(8)	'41-'46	75.00
L.	<b>R3507-47C</b>	Gaskets (2)	paper	'47-'50	n.a. ☼



G.



L.

U.

# Oil Lines

## Oil Lines

A.	<b>R3571-37A</b>	Feed line	cad	'37-'73	n.a. ✳
B.	<b>R3571-37C</b>	Return line	cad	'37 only	n.a. ✳
"	<b>R3571-38D</b>	Return line	cad	'38-'73	n.a. ✳
C.	<b>R3572-37A</b>	Vent line	cad	'37-'73	n.a. ✳
	<b>R3571-WLset</b>	Set of three lines	zinc	'38-'73	73.50
	<b>R3571-37AC</b>	Feed line	chrome	'37-'73	n.a. ✳
	<b>R3571-38DC</b>	Return line	chrome	'38-'73	n.a. ✳
	<b>R3572-37AC</b>	Vent line	chrome	'37-'73	n.a. ✳
D.	<b>3575-41A</b>	Pipe, rear chain oiler (includes 3580-41B)	military		32.50 ✳
E.	<b>3580-41</b>	Clip, rear chain oiler pipe	military		n.a. ✳
EA.	<b>3580-41B</b>	Clip, rear chain oiler pipe	military		n.a. ✳
F.	<b>R3574-37A</b>	Oil pressure indicator pipe Connection to gauge must be made after fitting on bike.	1937-only		n.a. ✳

## Oil Line Parts

### Feed and Return Lines.

G.	<b>R3577-15P</b>	Nipple, oil tank	park		5.00 ✳
"	<b>R3577-15</b>	Nipple, oil tank	cad		5.00 ✳
"	<b>R3577-15C</b>	Nipple, oil tank	chrome		6.25 ✳
"	<b>63533-15</b>	Nipple, oil tank	zinc		9.00 ✳
GA.	<b>R3581-15</b>	Flare nut	cad		7.00 ✳
GB.	<b>C2735-1</b>	Nipple, for 3/8" hose	cad		4.69 ✳
"	<b>C2070-1</b>	Nipple, for 3/8" hose	chrome		5.00 ✳
H.	<b>R3583-15</b>	Cap, oil line nipple	cad		2.19 ✳

(use on oil pumps and oil tank when lines are disconnected to prevent leakage or contamination during storage.)

### Large Banjo : 3571-37C return line ( '37 only )

I.	<b>R3570-36A</b>	Bolt, large banjo	cad		11.25 ✳
J.	<b>R3570-36B</b>	Washer			1.88 ✳

### Following parts are used with vent lines.

K.	<b>3572-36A</b>	Nipple, vent line	cad		4.50 ✳
L.	<b>3572-36B</b>	Bolt, oil tank	park		7.00 ✳
"	<b>R3572-36B</b>	Bolt, oil tank	cad		6.56 ✳
"	<b>R3572-36BC</b>	Bolt, oil tank	chrome		8.75 ✳
M.	<b>3572-36C</b>	Washer, bolt	park		0.60 ✳
"	<b>R3572-36C</b>	Washer, bolt	brass		0.50 ✳
N.	<b>R0140</b>	Nut	cad		3.75 ✳
O.	<b>R3615-15</b>	Nipple	cad		5.50 ✳
P.	<b>3615-36</b>	Nipple, crankcase			12.00 ✳
"	<b>R3615-36P</b>	Nipple, crankcase	park		9.38 ✳
"	<b>R3615-36</b>	Nipple, crankcase	cad		9.38 ✳
"	<b>R3615-36C</b>	Nipple, crankcase	chrome		10.94 ✳

**R3584-36** Ground wire tab, clamps on return line  
For '37-'40 battery to ground wire.

### Oil hose connectors

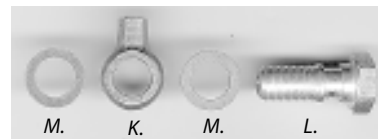
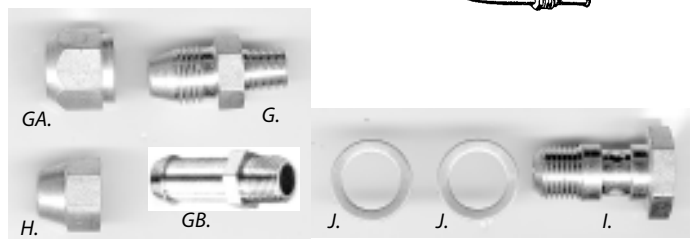
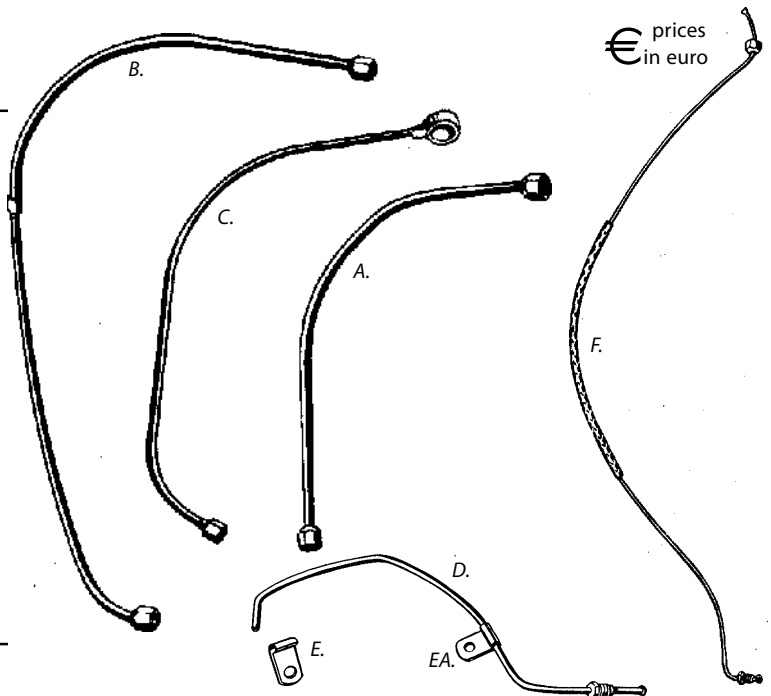
	<b>R3587-15C</b>	90 degree connector	chrome		18.00 ✳
	<b>R3588-15C</b>	45 degree connector	chrome		18.00 ✳
	<b>R3589-15C</b>	180 degree connector	chrome		17.00 ✳

### Flexible Fuel Hose Fittings

	<b>R3612-40</b>	Fits valve and filter	cad	'40-'49	9.38 ✳
	<b>R3612-40C</b>	Fits valve and filter	chrome	'40-'49	9.38 ✳
	<b>R3612-50</b>	Fits valve and filter	cad	'50-'58	9.38 ✳
	<b>R3612-50C</b>	Fits valve and filter	chrome	'50-'58	9.38 ✳
	<b>C3339-1</b>	Fits Linkert carburetor	cad	'33-'58	9.38 ✳
	<b>C7158-2</b>	Fits Linkert carburetor	chrome	'33-'58	9.38 ✳

(necessary when you don't use a petrol filter)

€ prices  
in euro

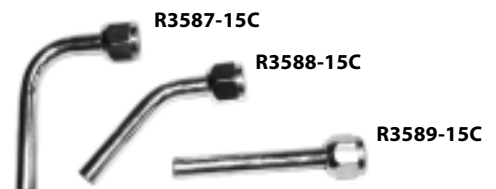


**Oil pump repair nipple**  
remove damaged nipple, drill 25/64"  
and tap 7/16"-20.

**R3586-15** zinc 13.44



**R3584-36**



**R3587-15C**

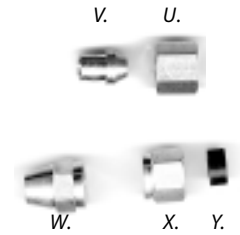
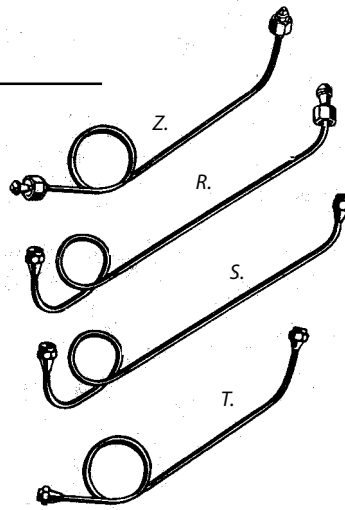
**R3588-15C**

**R3589-15C**

## Petrol Lines

### Petrol Lines

Z.	<b>R3607-37A</b>	Petrol line	'37-'38	n.a. ☉
R.	<b>R3607-39A</b>	Petrol line	'39 only	n.a. ☉
S.	<b>R3607-40A</b>	Petrol line	'40-'41	n.a. ☉
T.	<b>R3607-41M</b>	Petrol line	'42-'49	n.a. ☉
"	<b>R3607-41MC</b>	Petrol line	chrome '42-'49	n.a. ☉
	<b>R62354-50</b>	Petrol line	'50-'58	n.a. ☉
	<b>R62354-50C</b>	Petrol line	chrome '50-'58	n.a. ☉
U.	<b>R0140</b>	Nut only	'37-'39	3.75 ☉
V.	<b>R3615-15</b>	Nipple only	'37-'39	5.50 ☉
W.	<b>R3612-39</b>	Flare nut only	'39-'49	n.a. ☉
X.	<b>R62361-50</b>	Nut only	'50-'58	4.50 ☉
Y.	<b>R62360-50</b>	Rubber only	'50-'58	1.00 ☉



### Petrol Filters

#### '32-'38

A.	<b>R3623-32</b>	Petrol filter	Nickle with brass cap	93.75 ☉
		Complete filter includes screen, corks, and diamond style brass cap.		
B.	<b>R3627-32</b>	Screen, with corks		20.00 ☉
C.	<b>C9730-3</b>	Cap, diamond knurl style	brass	18.75 ☉
D.	<b>3633-32</b>	Washer, cork		2.00 ☉
E.	<b>R3612-09</b>	Nut, repair		5.00 ☉
F.	<b>R3617-15</b>	Nipple, repair		5.50 ☉
	<b>C3334-1</b>	Flex hose nipple, use on filter and valves		9.81 ☉

#### '39-'41

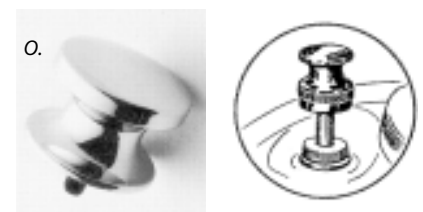
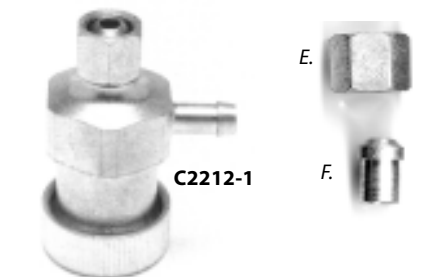
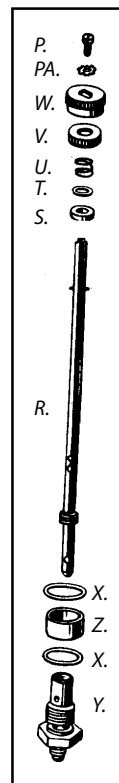
G.	<b>R3623-39</b>	Petrol filter	cad plated	65.00 ☉
H.	<b>C9731-3</b>	Rebuild kit, incl. gaskets and screen		5.31 ☉
I.	<b>3613-39</b>	Gasket, filter screen		0.40 ☉
J.	<b>R1285-33</b>	Gasket, filter to carburetor		1.80 ☉

#### '42-'58

K.	<b>R3623-41M</b>	Petrol filter	cad '42-'49	50.00
"	<b>R3623-41MC</b>	Petrol filter	chrome '42-'49	55.00
"	<b>C9660-1</b>	Petrol filter	<b>Colony</b> cad '42-'49	90.00 ☉
L.	<b>C9662-1</b>	Petrol filter	<b>Colony</b> cad '50-'58	90.00 ☉
	<b>C2212-1</b>	Petrol filter, use with neoprene fuel line		88.75 ☉
B.	<b>R3627-32</b>	Screen, with corks	'42-'58	20.00 ☉
M.	<b>R3629-32</b>	Cap	cad '42-'58	15.00 ☉
"	<b>R3629-32C</b>	Cap	chrome '42-'58	17.50 ☉
D.	<b>3633-32</b>	Washer, cork	'42-'58	2.00 ☉
"	<b>R3633-32</b>	Washer, cork	'42-'58	1.13 ☉
E.	<b>R3612-09</b>	Nut, repair		5.00 ☉
F.	<b>R3617-15</b>	Nipple, repair		5.50 ☉

### Petrol Tank Valve

N.	<b>R3641-40kit</b>	Complete valve	chrome cap '40-'49	72.50
"	<b>R3641-40kitP</b>	Complete valve	park cap '40-'49	70.00
"	<b>R3641-50kit</b>	Complete valve	chrome cap '50-'58	72.50
O.	<b>C7801-2</b>	Extension knob	chrome '40-'58	13.75 ☉
P.	<b>R018</b>	Screw	cad '40-'58	0.63 ☉
"	<b>R018C</b>	Screw	chrome '40-'58	0.75 ☉
PA.	<b>R0352</b>	Lockwasher	zinc '40-'58	0.20 ☉
R.	<b>R3633-40</b>	Rod, adjusting	cad '40-'58	18.50
S.	<b>R3634-40</b>	Rubber seal	'40-'58	7.81 ☉
T.	<b>R3635-40</b>	Washer, rod	park '40-'58	1.00 ☉
U.	<b>4764-26</b>	Spring, rod	'40-'58	2.00 ☉
"	<b>4764-26.10pack</b>	10 Springs	'40-'58	15.00 ☉
V.	<b>R3636-40P</b>	Cap, on tank	park '40-'58	8.75 ☉
"	<b>R3636-40</b>	Cap, on tank	cad '40-'58	8.75 ☉
W.	<b>R3637-40B</b>	Knob, adjusting	black '40-'58	5.00
"	<b>R3637-40P</b>	Knob, adjusting	park '40-'58	11.25 ☉
"	<b>R3637-40C</b>	Knob, adjusting	chrome '40-'58	12.50 ☉
X.	<b>R3638-40</b>	Washer, nipple	brass '40-'58	1.70 ☉
Y.	<b>R3639-40</b>	Nipple, gas valve	cad '40-'49	25.00
"	<b>R3639-50</b>	Nipple, gas valve	cad '50-'58	25.00
Z.	<b>R3640-40</b>	Spacer, gas valve	zinc '40-'58	2.00



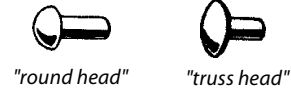
<b>M1124T</b>	8-32 tap (018 screw)	4.50
<b>tap160-004</b>	3/4"-18 tap (thread in tank for nipple 3639-40)	n.a.



# Rear Fender

## Rear Fender Parts

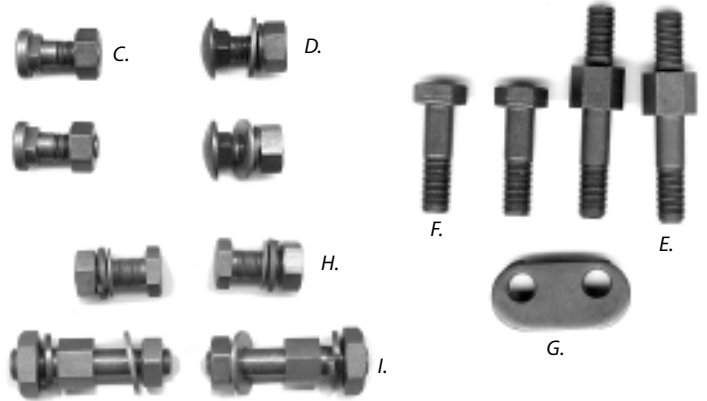
	<b>3741-34</b>	Bracket, end brace		17.00	✳
	<b>3746-29</b>	Clip, left	park '29-'52	n.a.	✳
B.	<b>3746-36A</b>	Clip, right	park '40-'52	14.00	✳
	<b>3752-30</b>	Pin, hinge	brass '30-'52	7.00	✳
	<b>3752-30P</b>	Pin, hinge	park '30-'52	6.00	✳
	<b>R0308</b>	Rivet	3/16" x 9/16" round head	0.35	✳ (braces to clips)
	<b>0314</b>	Rivet	3/16" x 3/8" truss head	1.00	✳ (fenders to braces)
	<b>C2805-5</b>	Brass hinge pin and rivets	'30-'41	11.56	✳
	<b>C2806-5</b>	Parkerized hinge pin w. rivets	'42-'52	9.06	✳



## Mounting Hardware

### Rear end carriage bolts

C.	<b>R3743-23</b>	Bolt, with nut	'29-'41	park	7.50	✳
D.	<b>3743-42</b>	Bolt, with nut	'42-'52	park	3.00	✳
"	<b>R3743-42P</b>	Bolt, with nut	'42-'52	park	3.31	✳
"	<b>R3743-42</b>	Bolt, with nut	'42-'52	cad	3.31	✳
"	<b>R3743-42C</b>	Bolt, with nut	'42-'52	chrome	4.06	✳



### Rear fender to battery box and frame

E.	<b>R6114-36P</b>	Stud (with safety guard)	park	8.13	✳
"	<b>R6114-36</b>	Stud (with safety guard)	cad	8.13	✳
"	<b>R6114-36C</b>	Stud (with safety guard)	chrome	9.38	✳
F.	<b>R3748-26P</b>	Bolt (without safety guard)	park	2.50	✳
"	<b>R3748-26</b>	Bolt (without safety guard)	cad	2.50	✳
"	<b>R3748-26C</b>	Bolt (without safety guard)	chrome	2.50	✳

G.	<b>R4417-29P</b>	Screw plate, fender studs	park	7.19	✳
"	<b>R4417-29</b>	Screw plate, fender studs	cad	7.50	✳

### Rear fender brace to frame

H.	<b>2823-26</b>	Bolt, rear mudguard brace	park	7.00	✳
"	<b>R2823-26P</b>	Bolt kit, rear mudguard brace	park	5.00	✳
"	<b>R2823-26</b>	Bolt kit, rear mudguard brace	cad	5.00	✳
"	<b>R2823-26C</b>	Bolt kit, rear mudguard brace	chrome	6.25	✳

I.	<b>R2820-42P</b>	Stud (use with luggage carrier)	park	10.91	✳
----	------------------	---------------------------------	------	-------	---



C9792-15



## Rear Fender Mounting Kits

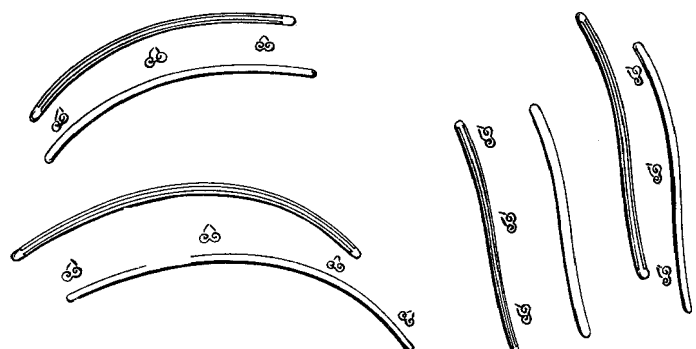
- Includes :
- 2 fender / battery box / safety guard mounting studs
  - 1 screw plate for mounting studs
  - 2 rear end screws with nuts and washers
  - 5 round head screws for stand catch and spring yoke hook
  - 2 fender brace to frame bolts with nuts and washers
  - 2 lower fender to battery box bolts with nuts and washers
  - 1 front lower fender to frame bolt with nuts and washers

<b>C3042-15</b>	Rear fender mounting kit	plain	park	53.13	✳
<b>C9792-15</b>	Rear fender mounting kit	"1038cp"	park	53.13	✳
<b>C9791-15</b>	Rear fender mounting kit		cad	54.38	✳
<b>C9790-15</b>	Rear fender mounting kit		chrome	70.00	✳

## Fender Trim Kits

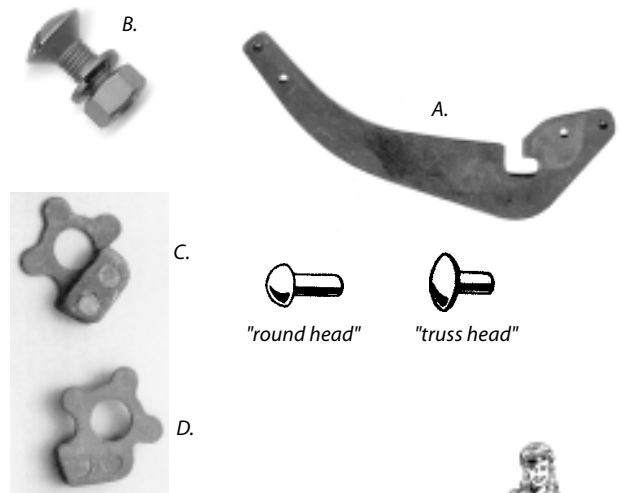
Stainless steel

<b>R3716-39</b>	Front fender (4 pcs) with clips	'39-'49	75.00	✳
<b>R3716-39i</b>	Front fender (4 pcs) with clips	'39-'49	30.00	
<b>R3716-39i.5pack</b>	5 Front fender sets	'39-'49	120.00	
<b>R3717-39</b>	Rear fender (4 pcs) with clips	'39-'49	75.00	✳
<b>R3717-39i</b>	Rear fender (4 pcs) with clips	'39-'49	30.00	
<b>R3717-39i.5pack</b>	5 Rear fender sets	'39-'49	120.00	
<b>R7386-39</b>	Servi-car rear fender, with clips	'39-'67	120.00	✳
<b>R3765-39</b>	Set clips, fender trim (26)	'39-'49	19.50	✳



**Front Fender Mounting Parts**

A.	<b>3730-36</b>	Clip, front brace	park	'40-'57	n.a.
	<b>R0308</b>	Rivet 3/16" x 9/16" round head			0.35 ☼
				(braces to clips)	
	<b>0314</b>	Rivet 3/16" x 3/8" truss head			1.00 ☼
				(fenders to braces)	
B.	<b>R3749-30P</b>	Screw, incl. nut	park	'30-'57	6.00 ☼
"	<b>R3749-30</b>	Screw, incl. nut	cad	'30-'57	6.00 ☼
"	<b>R3749-30C</b>	Screw, incl. nut	chrome	'30-'57	7.00 ☼
	<b>R0259P</b>	Lockwasher	park	'30-'57	0.25 ☼
	<b>R0259</b>	Lockwasher	zinc	'30-'57	0.25 ☼
	<b>R0259C</b>	Lockwasher	chrome	'30-'57	0.38 ☼
	<b>R0117P</b>	Nut	park	'30-'57	1.19 ☼
	<b>R0117M</b>	Nut	cad	'30-'57	1.25 ☼
	<b>R0117C</b>	Nut	chrome	'30-'57	0.94 ☼
C.	<b>3732-34</b>	Clip lock, left side	park	'40-'57	9.00 ☼
"	<b>R3732-34</b>	Clip lock, left side	park	'40-'57	6.88 ☼
D.	<b>3732-34A</b>	Clip lock, right side	park	'40-'57	9.00 ☼
"	<b>R3732-34A</b>	Clip lock, right side	park	'40-'57	6.88 ☼
	<b>R3732-34Aset</b>	Pair of locks	black	'40-'57	6.00



**Front Fender Mounting Kits**



includes fender to fork screws and lower brace locks and nuts.



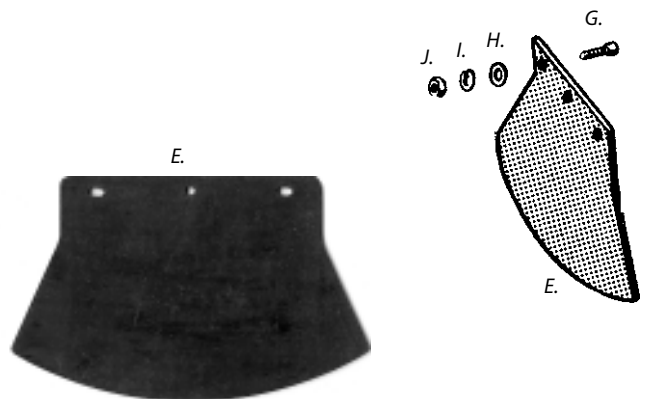
<b>C9680-6</b>	Front fender mounting kit	park	22.50 ☼
<b>C8203-6</b>	Front fender mounting kit	cad	22.50 ☼
<b>C9742-6</b>	Front fender mounting kit	chrome	26.25 ☼
<b>C8009-2</b>	Pair of locks only	park	13.75 ☼

**Fender lamp wire kit**

Steel tube, clamps, nuts, connectors, wire and loom. This kit will secure wire to fender as original.

<b>C9786-11</b>	Fender lamp wire kit	'34-'47	32.50 ☼
-----------------	----------------------	---------	---------

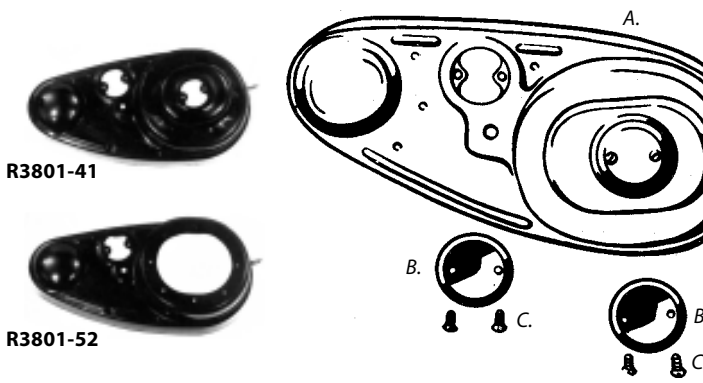
E.	<b>R3757-26</b>	Mudflap black reinforced rubber			n.a. ☼
		Includes parkerized mounting hardware.			
G.	<b>R033P</b>	Screw	park		0.63 ☼
"	<b>R033</b>	Screw	cad		0.69 ☼
"	<b>R033C</b>	Screw	chrome		0.85 ☼
H.	<b>R0205P</b>	Washer	park		0.38 ☼
I.	<b>R0254P</b>	Lockwasher	park		0.25 ☼
"	<b>R0254</b>	Lockwasher	zinc		0.20 ☼
"	<b>R0254C</b>	Lockwasher	chrome		0.38 ☼
J.	<b>R0104P</b>	Nut	park		0.50 ☼
"	<b>R0104Z</b>	Nut	zinc		0.40 ☼
"	<b>R0104C</b>	Nut	chrome		0.75 ☼



# Chainguards

## Front Chainguards

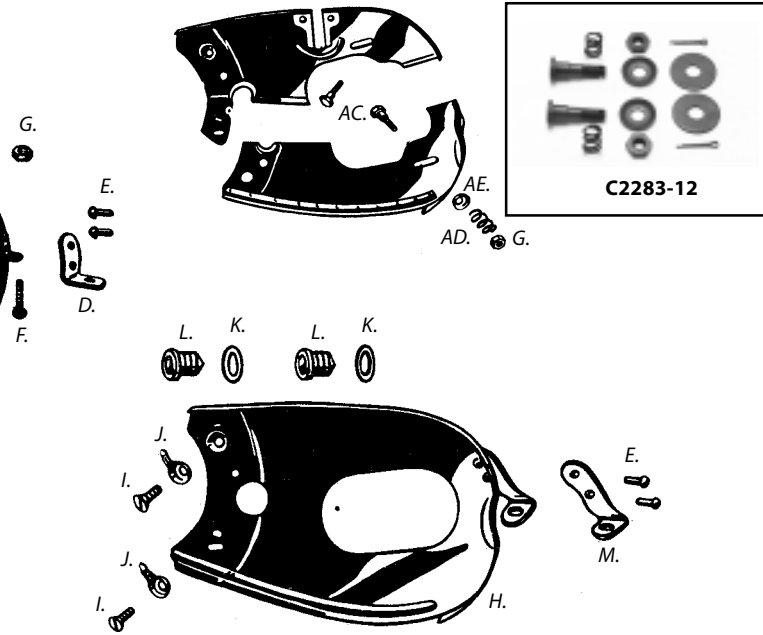
Outer covers are '41-'63 model, will also fit '32-'40.



R3801-41

R3801-52

A.	<b>R3801-32</b>	Front chainguard with covers	black	n.a.
"	<b>R3801-32C</b>	Front chainguard with covers	chrome	n.a.
"	<b>R3801-41</b>	Chainguard, without covers	black	n.a.
"	<b>R3801-41C</b>	Chainguard, without covers	chrome	n.a.
	<b>R3801-52</b>	Chainguard w. large clutch hole	black	n.a.
	<b>R3801-52C</b>	Chainguard w. large clutch hole	chrome	n.a.
	<b>R3810-36</b>	Large clutch cover	black	n.a.
	<b>R3810-36C</b>	Large clutch cover	chrome	14.00 ✪
	<b>R3810-36C.bird</b>	Large clutch cover, bird style	chrome	19.00 ✪
	<b>R3810-36A</b>	Gasket, large clutch cover	cork	3.00 ✪
B.	<b>R3811-29B</b>	Cover, inspection	black	'30-'73
"	<b>R3811-29P</b>	Cover, inspection	park	'30-'73
"	<b>R3811-29C</b>	Cover, inspection	chrome	'30-'73
				14.00
C.	<b>R048AP</b>	Screw, inspection cover	park	0.94 ✪
"	<b>R048A</b>	Screw, inspection cover	cad	1.00 ✪
"	<b>R048C</b>	Screw, inspection cover	chrome	0.80
"	<b>R048AC</b>	Screw, inspection cover	chrome	1.25 ✪
"	<b>2265W</b>	Screw, inspection cover	zinc	1.00 ✪
D.	<b>3807-26</b>	Bracket, rear	'29-'73	n.a. ✪
E.	<b>0306</b>	Rivet	park	'29-'73
				0.50 ✪
F.	<b>R3813-41P</b>	Screw	park	3.75 ✪
	<b>R3814-29</b>	Spring		0.81 ✪
G.	<b>R0107P</b>	Nut	park	1.13 ✪



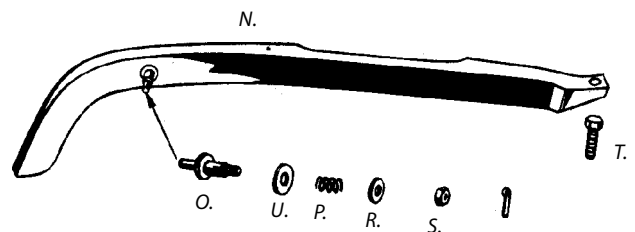
AC.	<b>C2283-12</b>	Bolt, spring, nut kit (2)	park	'29-'40	19.38 ✪
AD.	<b>3814-29</b>	Spring, bolt		'29-'40	3.00 ✪
"	<b>R3814-29</b>	Spring, bolt	park	'29-'40	0.81 ✪
AE.	<b>3815-29</b>	Spring washer	park	'29-'40	3.00 ✪
H.	<b>R3804-41</b>	Guard, inside	black	'41-'63	n.a.
"	<b>R3804-41C</b>	Guard, inside	chrome	'41-'63	n.a.
I.	<b>R3805-30AP</b>	Screw, guard	park	'32-'64	5.00 ✪
"	<b>R3805-30A</b>	Screw, guard	cad	'32-'64	5.00 ✪
J.	<b>R3805-30B</b>	Lock, screw	park	'37-'64	✪
"	<b>R3805-30Bzinc</b>	Lock, screw	zinc	'37-'64	1.70 ✪
K.	<b>3805-32D</b>	Washer, plug		'39-'73	1.00 ✪
L.	<b>3805-39</b>	Plug, screw		'39-'73	7.00 ✪
	<b>C3111-2</b>	Tool to install/remove plug			18.13 ✪
M.	<b>3806-41</b>	Bracket, rear		'41-'73	12.00 ✪
E.	<b>0306</b>	Rivet		'29-'73	0.50 ✪



## Rear Chain Guard

Complete chainguards include stud with washers, spring and nut.

	<b>R3818-32</b>	Chainguard, Servi-car	black	'32-'37	95.00 ✪
N.	<b>R3818-36</b>	Chainguard	bare	'36-'52	n.a. ✪
"	<b>R3818-36B</b>	Chainguard	black	'36-'52	n.a. ✪
"	<b>R3818-36C</b>	Chainguard	chrome	'36-'52	n.a. ✪
O.	<b>3828-36</b>	Stud	bare		n.a. ✪
P.	<b>R524-25</b>	Spring	bare		1.20
U.	<b>R0224P</b>	Washer	park		0.63 ✪
"	<b>R0224</b>	Washer	cad		0.63 ✪
"	<b>R0224C</b>	Washer	chrome		0.88 ✪
R.	<b>R0208P</b>	Washer	park		0.38 ✪
"	<b>R0208Z</b>	Washer	zinc		0.30 ✪
"	<b>R0208C</b>	Washer	chrome		0.50 ✪
S.	<b>0108</b>	Nut	park		1.50 ✪
"	<b>R0108P</b>	Nut	park		1.13 ✪
"	<b>R0108M</b>	Nut	cad		1.19 ✪
"	<b>R0108C</b>	Nut	chrome		0.88 ✪
T.	<b>061</b>	Bolt	"1035 cp"	park	2.50 ✪
"	<b>R061PS</b>	Bolt	plain	park	1.63 ✪
"	<b>R061P</b>	Bolt	"1038 cp"	park	1.63 ✪
"	<b>R061</b>	Bolt	"1038 cp"	cad	1.69 ✪
"	<b>R061C</b>	Bolt	chrome		1.40 ✪



## Rear Chainguard Mounting Kits

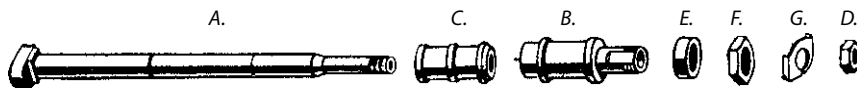
Include washers, nut, bolt and spring.

<b>C9746-7</b>	Chainguard mounting kit plain head	park	7.19 ✪
<b>C9746-7</b>	Chainguard mounting kit "1038cp"	park	7.19 ✪
<b>C9745-7</b>	Chainguard mounting kit	cad	7.19 ✪
<b>C9744-7</b>	Chainguard mounting kit	chrome	8.75 ✪





prices  
in euro €

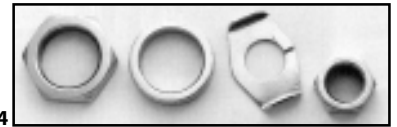


## Axles

### Rear Axle

A.	<b>R3995-41</b>	Axle, rear	park	'41-'52	27.50
B.	<b>R4004-41</b>	Axle sleeve		'41-'52	28.00 ☉
C.	<b>R4007-38</b>	Spacer	park	'38-'52	19.38 ☉
"	<b>R4007-38C</b>	Spacer	chrome	'38-'52	25.62 ☉
D.	<b>R2634-30AP</b>	Nut, axle	park	'32-'52	2.50 ☉
"	<b>R2634-30A</b>	Nut, axle	cad	'32-'52	2.50 ☉
"	<b>R2634-30AC</b>	Nut, axle	chrome	'32-'52	3.44 ☉
"	<b>R2634-30AZ</b>	Nut, axle, self-locking	zinc	'32-'52	1.95 ☉
E.	<b>R4001-35P</b>	Spacer	park	'35-'52	6.25 ☉
"	<b>R4001-35</b>	Spacer	cad	'35-'52	6.25 ☉
"	<b>R4001-35C</b>	Spacer	chrome	'35-'52	8.75 ☉
F.	<b>R4005-35P</b>	Nut, sleeve	park	'35-'52	13.75 ☉
"	<b>R4005-35</b>	Nut, sleeve	cad	'35-'52	13.75 ☉
"	<b>R4005-35C</b>	Nut, sleeve	chrome	'35-'52	15.94 ☉
G.	<b>R4006-35P</b>	Lockwasher	park	'35-'52	6.88 ☉
"	<b>R4006-35</b>	Lockwasher	cad	'35-'52	6.88 ☉
"	<b>R4006-35C</b>	Lockwasher	chrome	'35-'52	8.13 ☉

**COLONY**



**C8832-4**

### Hardware Kits

Nut and lock kits include axle nut, axle sleeve nut, spacer and washer.

<b>C9688-4</b>	Nut and lock kit	park	28.13 ☉
<b>C8833-4</b>	Nut and lock kit	cad	28.13 ☉
<b>C8832-4</b>	Nut and lock kit	chrome	36.25 ☉

**11814-35** Axle sleeve nut wrench 10.00 ☉



H.



I.

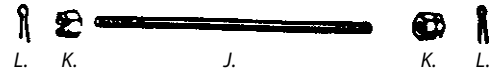
### Rear Axle Adjusting Screws (chain adjusters)

H.	<b>R2827-30P</b>	Solo models	park	'30-'52	7.81 ☉
"	<b>R2827-30</b>	Solo models	cad	'30-'52	7.81 ☉
"	<b>R2827-30C</b>	Solo models	chrome	'30-'52	8.75 ☉
I.	<b>R2827-32P</b>	Servi-cars	park	'32-'73	11.88 ☉
"	<b>R2827-32</b>	Servi-cars	cad	'32-'73	12.50 ☉
"	<b>R2827-32C</b>	Servi-cars	chrome	'32-'73	15.00 ☉

### Front Axle

all 750cc models except WLC military models and '41-up Servi-cars.

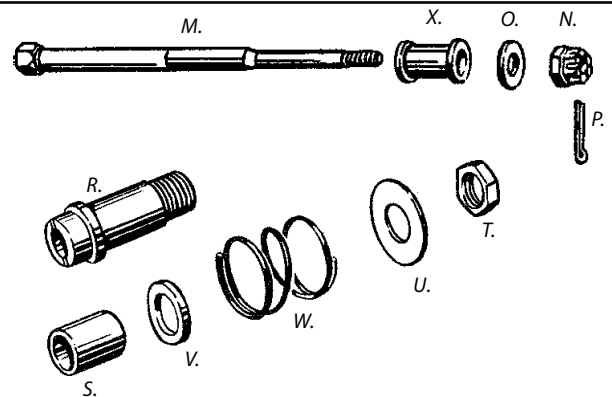
J.	<b>R3910-30A</b>	Front axle only		'30-'52	28.75 ☉
	<b>R3910-30P</b>	Front axle with park nuts		'37-'52	32.50 ☉
	<b>R3910-30</b>	Front axle with cad nuts		'37-'52	33.75 ☉
	<b>R3910-30C</b>	Front axle with chrome nuts		'37-'52	35.00 ☉
K.	<b>3910-37</b>	Nut, axle	park	'37-'52	3.00 ☉
"	<b>R3910-37P</b>	Nut, axle	park	'37-'52	3.44 ☉
"	<b>R3910-37</b>	Nut, axle	cad	'37-'52	3.44 ☉
"	<b>R3910-37C</b>	Nut, axle	chrome	'37-'52	4.38 ☉
L.	<b>R0292P</b>	Cotter pin	park		0.25 ☉
"	<b>R0292</b>	Cotter pin	zinc		0.15 ☉



### Front Axle

WLC military models and '41-'57 Servi-cars.

M.	<b>R4176-36</b>	Front axle	black		n.a.
N.	<b>R4178-30P</b>	Axle nut, flanged	park	'41	10.00 ☉
"	<b>R4178-30C</b>	Axle nut, flanged	chrome	'41	11.25 ☉
"	<b>R4178-42P</b>	Axle nut	park	'42-'73	6.25 ☉
"	<b>R4178-42</b>	Axle nut	cad	'42-'73	7.50 ☉
"	<b>R4178-42C</b>	Axle nut	chrome	'42-'73	9.38 ☉
O.	<b>R13458-36P</b>	Washer	park	'42-'73	1.25 ☉
"	<b>R13458-36cad</b>	Washer	cad	'42-'73	1.38 ☉
"	<b>R13458-36C</b>	Washer	chrome	'42-'73	1.75 ☉
P.	<b>R0292P</b>	Cotter pin	park		0.25 ☉
"	<b>R0292</b>	Cotter pin	zinc		0.15 ☉
X.	<b>R4180-36</b>	Spacer, axle	park		18.13 ☉
"	<b>R4180-36C</b>	Spacer, axle	chrome		24.38 ☉
R.	<b>R4182-36</b>	Axle sleeve			33.00 ☉
S.	<b>R4116-36</b>	Bushing, side cover			16.00 ☉
T.	<b>R4184-30P</b>	Nut, sleeve	park		7.50 ☉
"	<b>R4184-30</b>	Nut, sleeve	cad		8.13 ☉
"	<b>R4184-30C</b>	Nut, sleeve	chrome		10.00 ☉
U.	<b>4109-36</b>	Washer	plain		n.a. ☉
"	<b>R4109-36</b>	Washer	cad		6.88 ☉
V.	<b>R4109-36A</b>	Seal	cork		3.00 ☉
W.	<b>4109-36B</b>	Spring	black		9.00 ☉
"	<b>R4109-36B</b>	Spring	black		6.25 ☉
	<b>C8617-4</b>	Front brake seal set			15.00 ☉



**C8617-4**



**C8163-3**

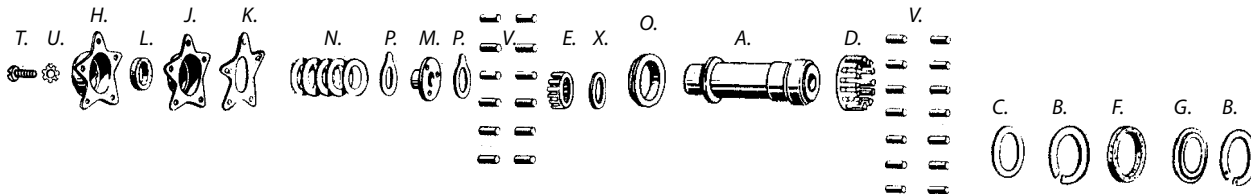
### Front axle nut kits

<b>C9406-3</b>	Front axle nut kit	'41	park	21.88 ☉
<b>C9405-3</b>	Front axle nut kit	'41	chrome	30.00 ☉
<b>C2816-3</b>	Front axle nut kit	'42-up	park	15.63 ☉
<b>C8163-3</b>	Front axle nut kit	'42-up	cad	16.25 ☉
<b>C8162-3</b>	Front axle nut kit	'42-up	chrome	21.25 ☉

## Wheel Parts

### Rear Wheel Hub

also front wheel WLC military and '41-'66 Servi-car.



A.	<b>R3963-35i</b>	Bearing sleeve		18.00
"	<b>R3963-35i.10pack</b>	10 Bearing sleeves		130.00
B.	<b>R3965-35</b>	Ring, lock retaining		1.70
C.	<b>3966-39</b>	Washer, brake thrust		3.50 *
"	<b>R3966-39</b>	Washer, brake thrust		2.25 *
D.	<b>3967-35</b>	Retainer, roller	large	18.00 *
"	<b>R3967-35</b>	Retainer, roller	large	14.00
E.	<b>417-30</b>	Retainer, roller	small	n.a.
F.	<b>3968-35</b>	Washer, sprocket side	cork	1.50 *
"	<b>R3968-35</b>	Washer, sprocket side	cork James	3.00 *
G.	<b>3970-35</b>	Retainer, cork washer		2.50 *
H.	<b>3972-35</b>	Cover, outer bearing	park	19.00 *
J.	<b>3974-35</b>	Cover, inner bearing		n.a.
K.	<b>R3975-35</b>	Gasket, inner cover		1.70 *
L.	<b>3976-35</b>	Washer, small	cork	1.50 *
"	<b>R3976-35</b>	Washer, small	cork James	3.00 *
M.	<b>R3978-35</b>	Sleeve, thrust bearing		20.00
N.	<b>R3980-35.002</b>	Shim, thrust adjusting	.002"	0.40 *
"	<b>R3980-35.002.10pack</b>	10 Shims	.002"	3.00 *
"	<b>R3980-35.007</b>	Shim, thrust adjusting	.007"	0.50 *
"	<b>R3980-35.007.10pack</b>	10 Shims	.007"	4.00 *
O.	<b>3981-39</b>	Thrust collar(pressed in hub)		21.00 *
P.	<b>3982-35</b>	Washer, thick thrust		8.00 *
"	<b>R3982-35</b>	Washer, thick thrust		3.50 *
"	<b>R3982-35.10pack</b>	10 Washers, thick thrust		28.00 *
X.	<b>R3982-39</b>	Washer, hub sleeve thrust		2.50 *
R.	<b>R0340</b>	Grease nipple	'35-'37 Nickle	3.75 *
"	<b>R0344</b>	Grease nipple	'38-up zinc	2.63 *
"	<b>R0344C</b>	Grease nipple	'38-up chrome	2.75 *

#### Cover Screws

T.	<b>050</b>	Screw, outer cover	park	2.00 *
"	<b>R050P</b>	Screw, outer cover	park	1.38 *
"	<b>R050</b>	Screw, outer cover	cad	1.44 *
"	<b>R050C</b>	Screw, outer cover	chrome	1.63 *
U.	<b>R0363P</b>	Lockwasher	park	0.38 *
"	<b>R0363</b>	Lockwasher	zinc	0.20 *

#### Kits include 5 screws with lockwashers.

<b>C9670-10</b>	Kit	slotted heads	park	8.13 *
<b>C8201-10</b>	Kit	slotted heads	cad	8.13 *
<b>C8200-10</b>	Kit	slotted heads	chrome	11.25 *
<b>C7144-5</b>	Kit	acorn heads	chrome	18.75 *
<b>C8451-5</b>	Kit	cap heads	chrome	18.75 *

#### Bearing Rollers

Rollers are sold each or in 100 packs.

V.	<b>R2289-25</b>	Roller, standard	0.2498" x .490"	0.50 *
"	<b>R9219</b>	Roller, oversize	+.0001"	0.50 *
"	<b>R2289-25D</b>	Roller, oversize	+.0002"	0.50 *
"	<b>R9218</b>	Roller, oversize	+.0003"	0.50 *
"	<b>R2289-25F</b>	Roller, oversize	+.0004"	0.50 *
"	<b>R9217</b>	Roller, oversize	+.0005"	0.50 *
"	<b>R2289-25H</b>	Roller, oversize	+.0006"	0.50 *
"	<b>R2289-25KA</b>	Roller, oversize	+.0008"	0.50 *
"	<b>R2289-25MA</b>	Roller, oversize	+.0010"	0.50 *
"	<b>R2289-25MA2</b>	Roller, oversize	+.0020"	0.50 *

### Front Wheel Hub

All 750cc models except WLC military models and '41-up Servi-cars.

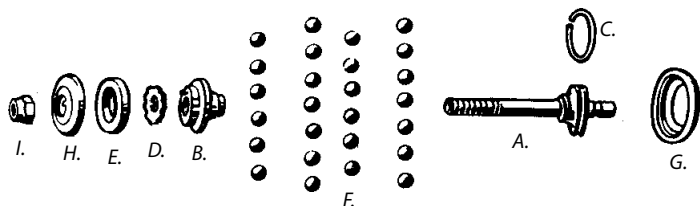
Note: Late '43 a felt oil seal was added to the front wheel bearing, therefore a different cone and cone lock nut were provided.

Cone, seal, cover and nut must be used together to fit earlier models.

A.	<b>3921-30</b>	Sleeve, front axle		n.a.
B.	<b>3923-30</b>	Cone, models without oil seal		55.00 *
"	<b>3923-44</b>	Cone, models with oil seal 3928-44		n.a.
C.	<b>3925-30</b>	Spring ring		3.00 *
D.	<b>3926-30</b>	Lockwasher	park	3.00 *
"	<b>3926-44</b>	Lock, retainer, and nut	park '44-up	21.00 *
E.	<b>3928-44</b>	Oil seal	felt	3.00 *
F.	<b>R0282</b>	Bearing ball	5/16"	0.30
"	<b>R0282.26</b>	Set balls (26)	5/16"	7.00
G.	<b>3932-30</b>	Dirt guard		n.a. *
H.	<b>3928-44A</b>	Retainer, oil seal	park	15.00 *
"	<b>R3928-44AP</b>	Retainer, oil seal	park	13.75 *
"	<b>R3928-44A</b>	Retainer, oil seal	cad	13.75 *
"	<b>R3928-44AC</b>	Retainer, oil seal	chrome	17.50 *
I.	<b>3929-44</b>	Cone nut	park	6.00 *
"	<b>R3929-44P</b>	Cone nut	park	8.75 *
"	<b>R3929-44</b>	Cone nut	cad	8.75 *
"	<b>R3929-44C</b>	Cone nut	chrome	11.25 *

Note: these nuts are for use with oil seal and retainer, 16.75mm wide.

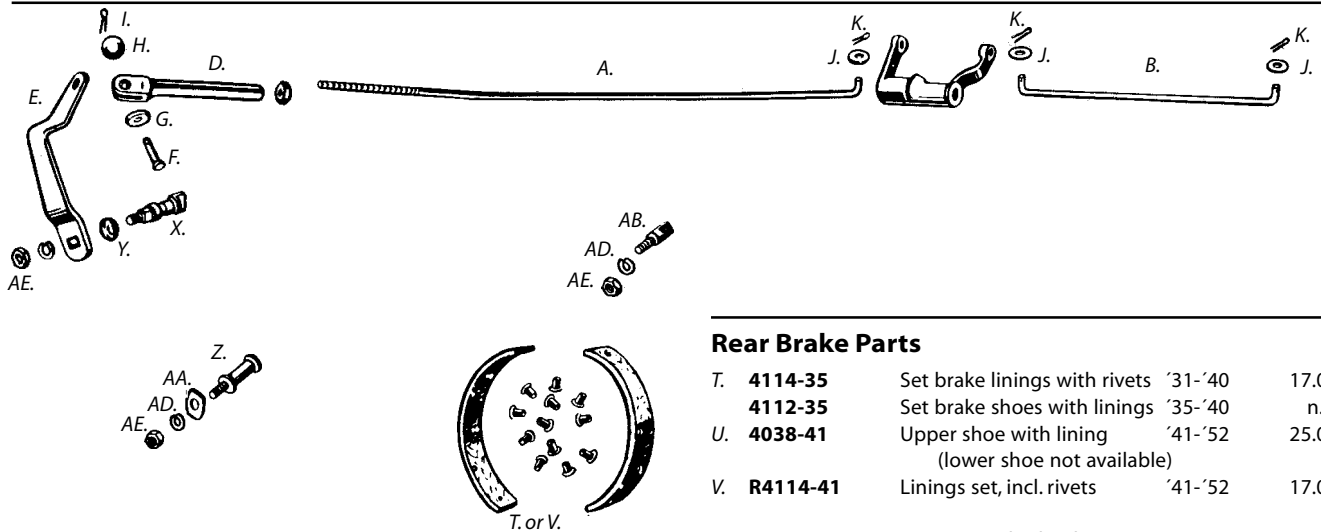
<b>C9743-2</b>	Retainer with nut kit	park	19.38 *
<b>C9303-2</b>	Retainer with nut kit	cad	20.00 *
<b>C9302-2</b>	Retainer with nut kit	chrome	24.38 *



C9302-2



J.	<b>3935-30</b>	Flange, right side	'30-'52	40.00 *
	<b>R0308</b>	Rivet	'30-'52	0.35 *



**Rear Brake Rods and Parts**

A.	<b>R4065-35P</b>	Rear brake rod	park	'35-'52	n.a. ☼
"	<b>R4065-35C</b>	Rear brake rod	chrome	'35-'52	28.00 ☼
B.	<b>R4073-39P</b>	Front brake rod	park	'39-'52	27.00 ☼
"	<b>R4073-39CAD</b>	Front brake rod	cad	'39-'52	27.00 ☼
"	<b>R4073-39C</b>	Front brake rod	chrome	'39-'52	n.a. ☼
"	<b>R4065-35Ci</b>	Front and rear brake rod set	chrome		17.95
D.	<b>R4067-30</b>	Clevis, long	park	'35-'52	n.a. ☼
"	<b>R4067-30C</b>	Clevis, long	chrome	'35-'52	n.a. ☼
"	Above "long" clevises are exact replacement parts				
"	<b>R4067-51C</b>	Clevis, short (10 cm)	chrome	'35-'52	10.00
E.	<b>4056-41</b>	Lever, operating	park	'41-'52	n.a. ☼
F.	<b>2423-30</b>	Clevis pin	park		1.00 ☼
G.	<b>R8045-36F</b>	Special spring washer			1.38 ☼
H.	<b>0207</b>	Washer	park		1.00 ☼
I.	<b>R0290</b>	Cotter pin	zinc		0.15 ☼
"	<b>R0290P</b>	Cotter pin	park		0.19 ☼
J.	<b>R0212P</b>	Washer	park		0.50 ☼
K.	<b>R0291P</b>	Cotter pin	park		0.19 ☼
"	<b>R0291</b>	Cotter pin	zinc		0.15 ☼

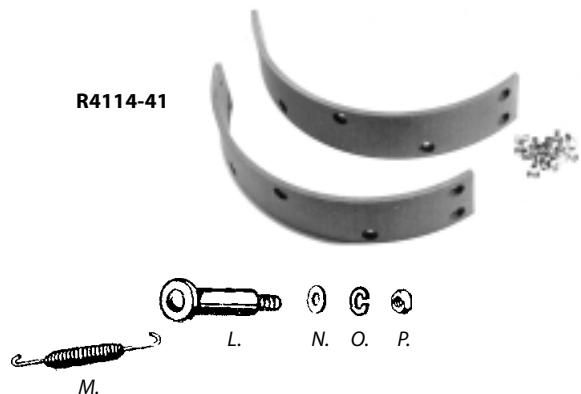
L.	<b>2960-36</b>	Stud, footbrake lever		'39-'73	15.00 ☼
"	<b>R2960-39</b>	Stud kit, standard		'39-'73	31.25 ☼
"	<b>R2960-39os</b>	Stud kit, oversize		'39-'73	32.50 ☼
"	<b>R2960-36</b>	Stud kit, standard	double threaded		31.25 ☼
"	<b>R2960-36os</b>	Stud kit, oversize	double threaded		32.50 ☼

M.	<b>2964-35</b>	Spring, brake lever	black	'35-'68	☼
N.	<b>R0231P</b>	Washer	park		1.25 ☼
O.	<b>R0265P</b>	Lockwasher	park		0.69 ☼
"	<b>R0265</b>	Lockwasher	cad		0.75 ☼
"	<b>R0265C</b>	Lockwasher	chrome		0.94 ☼
P.	<b>R0136P</b>	Nut	park		1.63 ☼
"	<b>R0136</b>	Nut	cad		1.69 ☼
"	<b>R0136C</b>	Nut	chrome		1.75 ☼

**Rear Brake Parts**

T.	<b>4114-35</b>	Set brake linings with rivets	'31-'40	17.00 ☼	
"	<b>4112-35</b>	Set brake shoes with linings	'35-'40	n.a.	
U.	<b>4038-41</b>	Upper shoe with lining (lower shoe not available)	'41-'52	25.00 ☼	
V.	<b>R4114-41</b>	Linings set, incl. rivets	'41-'52	17.00	
W.	<b>R4125-28A</b>	Spring, rear brake shoe	'35-'52	3.00	
"	<b>R4125-28A.10pack</b>	10 Springs	'35-'52	25.00	
X.	<b>4054-35</b>	Shaft, brake operating	'35-'52	n.a.	
Y.	<b>R4055-35</b>	Spring washer	'35-'52	1.80	
Z.	<b>R4118-35</b>	Stud, pivot	park	'35-'40	19.38 ☼
"	<b>4058-41</b>	Stud, pivot		'41-'52	21.50 ☼
AA.	<b>R4119-35</b>	Plate, pivot stud	zinc	'35-'52	5.00
AB.	<b>R4037-35</b>	Stud, anchor	park	'35-'52	3.50 ☼
AD.	<b>R0261P</b>	Lockwasher	park		0.25 ☼
"	<b>R0261</b>	Lockwasher	zinc		0.25 ☼
"	<b>R0261C</b>	Lockwasher	chrome		0.38 ☼
AE.	<b>0129</b>	Nut	park		1.50 ☼
"	<b>R0129P</b>	Nut	park		1.44 ☼
"	<b>R0129</b>	Nut	cad		1.56 ☼
"	<b>R0129C</b>	Nut	chrome		1.75 ☼
AF.	<b>R0340</b>	Alemite nipple	nickle	'35-'37	3.75 ☼
"	<b>R0344P</b>	Grease nipple	park	'38-'52	2.63 ☼
"	<b>R0344</b>	Grease nipple	zinc	'38-'52	2.63 ☼
"	<b>R0344C</b>	Grease nipple	chrome	'38-'52	2.75 ☼

**R4114-41**



**Clutch/brake Pedal Pad**

**Set of 3, '36-'61 screw-on type.**

<b>R11791-45</b>	Set of 3 pedal pads	black	17.00
<b>R11791-45.5pack</b>	5 Sets of 3 pedal pads	black	65.00

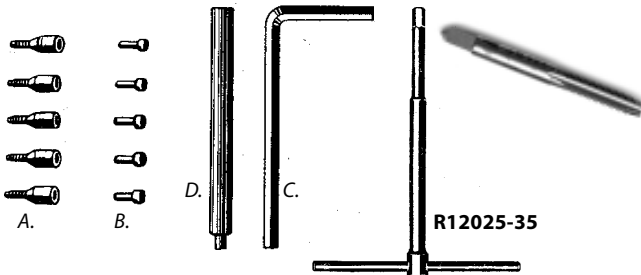
**Slip-over pedal type, all models**

<b>R36954-62</b>	Pedal pad (no inscription)	black	3.50
<b>R36954-62.10pack</b>	10 Pedal pads	black	28.00

## Rear Brake

### Wheel Bolts

A.	<b>R4026-35</b>	Wheel bolt	3/8" -20	park	3.00	⊕
"	<b>R4026-35P</b>	Wheel bolt <b>Colony</b>	3/8" -20	park	6.00	⊕
"	<b>R4026-35C</b>	Wheel bolt	3/8" -20	chrome	2.20	⊕
"	<b>R4026-35C.10pack</b>	10 Wheel bolts		chrome	18.00	⊕
"	<b>R4026-35S</b>	Oversize bolt <b>Colony</b>	7/16"-20	park	6.00	⊕
B.	<b>4035-37</b>	Dowel pin, brake drum	'35-'52		4.00	⊕
"	<b>R4035-37</b>	Dowel pin, brake drum	'35-'52		1.50	



### Wheel Bolt Tools

C.	<b>R11815-35</b>	Wrench, wheel mounting bolt			11.00	
High quality wrench has longer short end for easier use on 16" wheels.						
D.	<b>11817-40</b>	Extension, wrench			7.00	⊕
	<b>R12025-35</b>	Shop wrench, wheel bolts			75.00	⊕

<b>tap160-807</b>	Tap	3/8"-20 standard screws			10.00	
<b>M1440T</b>	Tap	7/16"-20 oversize screws			n.a.	⊕

<b>H5540-6</b>	Thread repair kit	3/8"-20			83.00	⊕
(includes tap, installation tool and 6 inserts)						
<b>HR389-6</b>	Set Heli-Coil® inserts only (6)				16.00	⊕
<b>M6125D</b>	Drill, use with kit	25/64"			n.a.	⊕

**HeliCoil**



### Servi-car Rear Brake Parts

	<b>R7238-37</b>	Rear brake rod	park	'37-'38	36.00	⊕
	<b>R7238-39</b>	Rear brake rod	park	'39-'50	55.00	⊕
	<b>R7238-39C</b>	Rear brake rod	chrome	'39-'50	56.00	⊕
	<b>R83697-51</b>	Rear brake rod	park	'51-'73	38.00	⊕
	<b>R83697-51C</b>	Rear brake rod	chrome	'51-'73	39.50	⊕

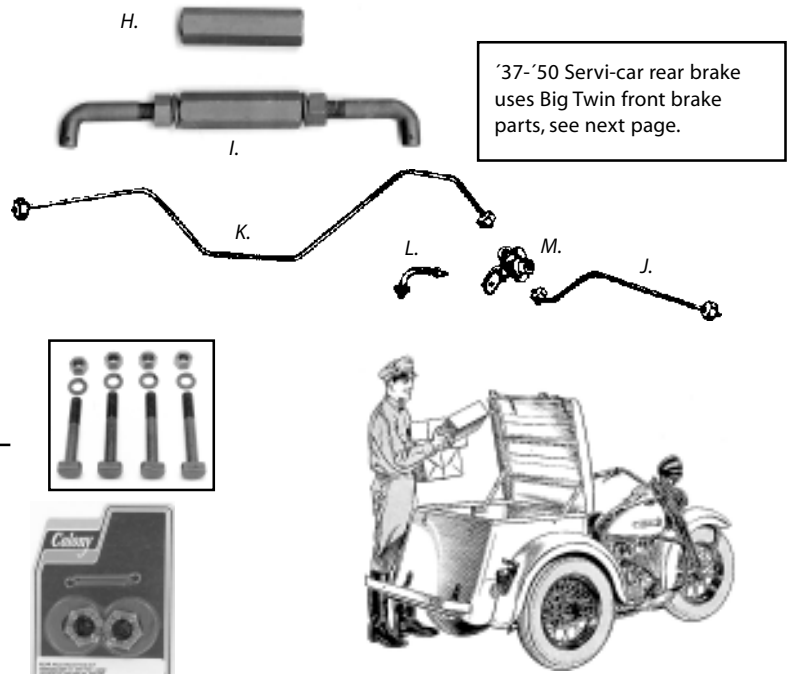
	<b>R7146-34</b>	Truss rod		late '34-'40	30.00	⊕
	<b>R7146-41</b>	Truss rod		'41-'73	32.00	⊕
	<b>R83050-51</b>	Truss rod		'51-'73	31.50	⊕
H.	<b>R7147-34</b>	Truss rod coupling	park	'34-'50	25.00	⊕
I.	<b>R7236-40</b>	Brake coupling	park	'40-'50	49.50	⊕

J.	<b>R83560-51</b>	Brake tube, right		'51-'73	27.00	⊕
K.	<b>R83562-51</b>	Brake tube, left		'51-'73	27.00	⊕
L.	<b>R83564-51</b>	Brake tube, short		'51-'73	25.00	⊕

	<b>C2092-12</b>	Rear axle housing bolts		'32-'41	33.75	⊕
	<b>C2093-12</b>	Rear axle housing bolts		'42-'73	33.75	⊕
	<b>C2431-9</b>	Rear chainguard screws (9)		'51-'73	33.75	⊕

	<b>C2366-6</b>	Rear axle nuts and washers (2)	park		16.25	⊕
	<b>7947W</b>	Rear axle nut	zinc		5.00	⊕

	<b>C2644-1</b>	Wheel puller		'32-'50	72.19	⊕
--	----------------	--------------	--	---------	-------	---



### Spokes and Nipples

	<b>3943-36N</b>	Spoke, rear wheel	park	18" wheel		
	<b>R3947-29</b>	Nipple, rear wheel	bare		1.60	
	<b>R3947-29C</b>	Nipple, rear wheel	chrome			

Note: above spokes and nipples are also used on WLC and '41-'72 Servi-car front wheels.

	<b>3943-30N</b>	Spoke, front wheel (8-3/8")	park	18" wheel	2.00	⊕
	<b>3945-30</b>	Spoke, front brake (5-5/16")	cad	18" wheel	2.00	⊕
	<b>3947-16</b>	Nipple, front wheel	park	18" wheel	2.00	⊕

### Spoke Sets

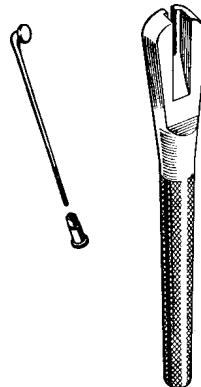
#### Interchangeable wheels

	<b>R3943-40Achr</b>	Set spokes and nipples	16" chrome		n.a.	
	<b>3942-40A</b>	Set spokes and nipples	18" park		n.a.	

(the 18" wheel sets are original new spokes and reproduced nipples)

#### Front wheels

	<b>3942-40</b>	Set spokes and nipples	18" park		n.a.	
--	----------------	------------------------	----------	--	------	--



### 750cc Models '37-'73

#### Solo

W	Low compression
WL	Standard sport
WLA	Army
WLC	Canadian army
WLD	High compression sport
WLDD	High compression sport
WLDR	Competition special
WR	Factory racer
WS	Sidecar gearing
WLS	Sidecar gearing

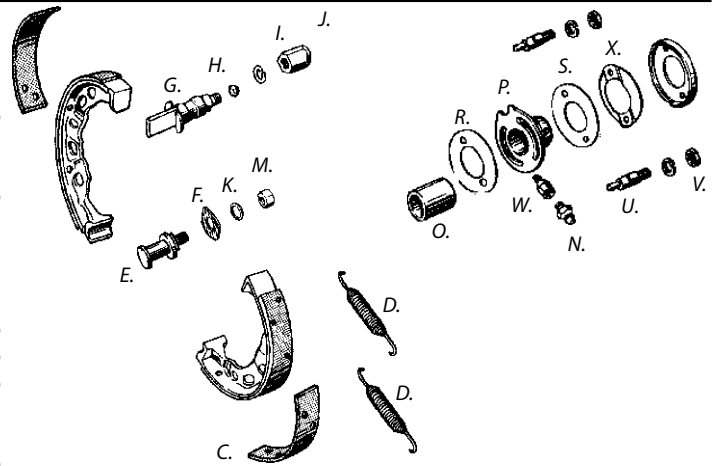
#### Servi-car

G	With tow bar
GA	Less tow bar
GD	Large box, less tow bar
GDT	Large box, with tow bar
GE	Electric start, less tow bar

Front Brake

All 750cc models except WLC models and '41-up Servi-cars.

	<b>4112-35</b>	Set brake shoes with linings		n.a.
C.	<b>R4114-35</b>	Set brake linings with rivets		17.00 ☼
D.	<b>R4125-28A</b>	Spring, brake shoe		3.00
"	<b>R4125-28A.10pack</b>	10 Brake shoe springs		25.00
E.	<b>R4118-35</b>	Stud, brake shoe pivot	park	19.38 ☼
F.	<b>R4119-35</b>	Plate, pivot stud	zinc	5.00
G.	<b>4124-31</b>	Stud, brake operating	park	n.a.
H.	<b>R4055-35</b>	Spring washer	copper	1.80
I.	<b>R4124-38AP</b>	Nut, with grease nipple	park	8.13 ☼
"	<b>R4124-38A</b>	Nut, with grease nipple	cad	8.75 ☼
"	<b>R4124-38AC</b>	Nut, with grease nipple	chrome	9.50 ☼
J.	<b>R0347</b>	Grease nipple, angle	zinc	2.00
K.	<b>R0261P</b>	Lockwasher	park	0.25 ☼
"	<b>R0261</b>	Lockwasher	zinc	0.25 ☼
"	<b>R0261C</b>	Lockwasher	chrome	0.38 ☼
M.	<b>0129</b>	Nut	park	1.50 ☼
"	<b>R0129P</b>	Nut	park	1.44 ☼
"	<b>R0129</b>	Nut	cad	1.56 ☼
"	<b>R0129C</b>	Nut	chrome	1.75 ☼
N.	<b>R0340</b>	Grease nipple '30-'37	Nickle	3.75 ☼
"	<b>R0344</b>	Grease nipple '38-up	zinc	2.63 ☼
"	<b>R0344C</b>	Grease nipple '38-up	chrome	2.75 ☼

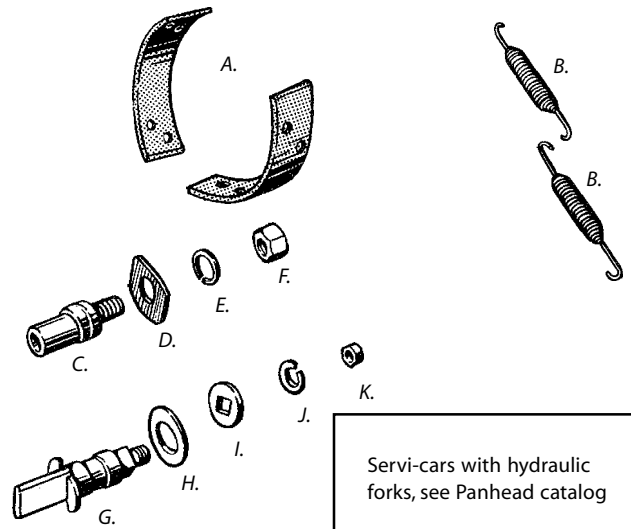


O.	<b>R4116-30</b>	Bushing, side cover		16.00 ☼
P.	<b>R4117-30kit</b>	Stabilizer with cover and washers		38.50
X.	<b>R4118-29</b>	Washer, spring		5.00
R.	<b>R4119-29</b>	Washer, inner	brass	6.50
S.	<b>R4120-29</b>	Washer, outer	brass	6.50
U.	<b>R4122-30</b>	Stud, stabilizer	bare	3.00 ☼
V.	<b>R0104P</b>	Nut	park	0.50 ☼
"	<b>R0104</b>	Nut	cad	0.50 ☼
"	<b>R0104C</b>	Nut	chrome	0.75 ☼
W.	<b>4140-29</b>	Extension nipple	park	4.00 ☼
"	<b>4140-29cad</b>	Extension nipple	cad	6.00 ☼

Front Brake

WLC military models and 41-up Servi-cars.

A.	<b>R4114-39</b>	Set brake linings	'41-'57	17.00
B.	<b>2964-35</b>	Spring, brake shoe	black '41-'57	n.a. ☼
C.	<b>4118-36</b>	Pivot stud	park '41-'57	n.a.
D.	<b>R4059-35P</b>	Plate, pivot stud	park '41-'57	7.00
"	<b>R4059-35</b>	Plate, pivot stud	zinc '41-'57	5.00
E.	<b>R0265P</b>	Lockwasher	park '41-'71	0.69 ☼
"	<b>R0265</b>	Lockwasher	zinc '41-'71	0.75 ☼
"	<b>R0265C</b>	Lockwasher	chrome '41-'71	0.94 ☼
F.	<b>R0133P</b>	Nut	park '41-'71	1.63 ☼
"	<b>R0133</b>	Nut	cad '41-'71	1.69 ☼
"	<b>R0133C</b>	Nut	chrome '41-'71	1.88 ☼
G.	<b>R4054-36</b>	Operating shaft	zinc '41-'57	n.a.
H.	<b>R4055-31</b>	Spring washer	copper '41-'57	2.25
I.	<b>R4124-36A</b>	Washer	park '41-'57	9.38 ☼
K.	<b>0129</b>	Nut	park '41-'57	1.50 ☼
"	<b>R0129P</b>	Nut	park '41-'57	1.44 ☼
"	<b>R0129</b>	Nut	cad '41-'57	1.56 ☼
"	<b>R0129C</b>	Nut	chrome '41-'57	1.75 ☼

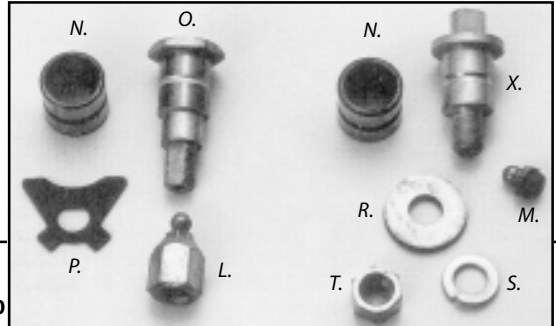


Servi-cars with hydraulic forks, see Panhead catalog

Brake Shackle

L.	<b>R4124-38AP</b>	Nut, with grease nipple	park	8.13 ☼
"	<b>R4124-38A</b>	Nut, with grease nipple	cad	8.75 ☼
"	<b>R4124-38AC</b>	Nut, with grease nipple	chrome	9.50 ☼
M.	<b>R0344</b>	Grease nipple	zinc	2.63 ☼
"	<b>R0344C</b>	Grease nipple	chrome	2.75 ☼
	<b>R4132-30</b>	Bushing	'30-'39	
N.	<b>4131-28</b>	Bushing	'40-'57	7.00 ☼
	<b>C2959-2</b>	Bushing installation tool		25.00 ☼
	<b>R4133-31</b>	Stud, brake shackle	'31-'39 cad	38.13 ☼
O.	<b>R4133-36type3</b>	Stud, brake shackle	'40-'57 park	37.50 ☼
P.	<b>R4133-40</b>	Lockwasher	'40-'57 park	3.13 ☼
X.	<b>4137-30</b>	Stud, side cover (riveted to cover)		8.00 ☼

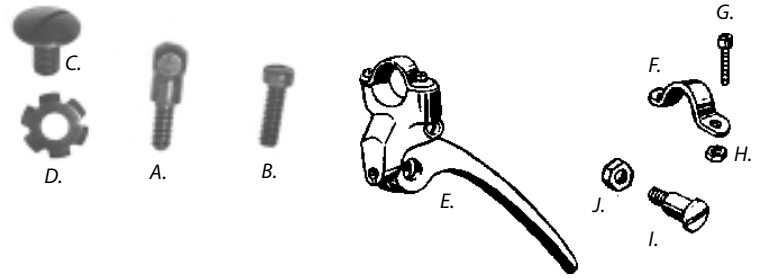
R.	<b>R0223P</b>	Washer	park	1.13 ☼
"	<b>R0223</b>	Washer	cad	1.13 ☼
"	<b>R0223C</b>	Washer	chrome	1.50 ☼
S.	<b>R0261P</b>	Lockwasher	park	0.25 ☼
"	<b>R0261</b>	Lockwasher	zinc	0.25 ☼
"	<b>R0261C</b>	Lockwasher	chrome	0.38 ☼
T.	<b>0129</b>	Nut	park	1.50 ☼
"	<b>R0129P</b>	Nut	park	1.44 ☼
"	<b>R0129</b>	Nut	cad	1.56 ☼
"	<b>R0129C</b>	Nut	chrome	1.75 ☼



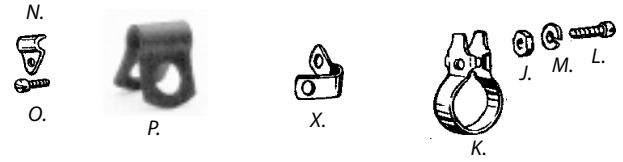
C8010-10

## Front Brake

A.	<b>4154-28</b>	Screw, clamp	park	'28-'40	3.00 ☼
B.	<b>R033P</b>	Screw, clamp	park	'28-'40	0.63 ☼
Note: use one 4154-28 special screw and one 033 standard screw.					
C.	<b>4156-28</b>	Screw, hand lever	park	'28-'40	10.00 ☼
D.	<b>4157-28</b>	Spring washer, screw		'28-'40	4.00 ☼



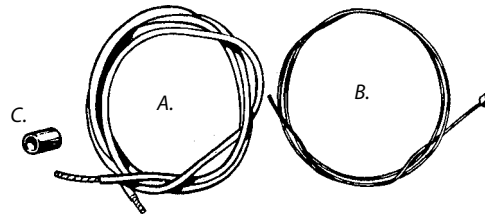
E.	<b>R4149-41</b>	Brake lever	polished alu	'41-'64	34.50
"	<b>R4149-41C</b>	Brake lever	chrome	'41-'64	39.50
"	<b>R4150-41</b>	Lever only	alu	'41-'64	6.00
F.	<b>R4153-28</b>	Clamp	cad	'41-'54	11.25 ☼
"	<b>R4153-28P</b>	Clamp	park	'41-'54	11.25 ☼
G.	<b>R033LP</b>	Screw, bracket	3/4" park	'41-'64	0.75 ☼
"	<b>R033L</b>	Screw, bracket	3/4" cad	'41-'64	0.75 ☼
"	<b>R033LC</b>	Screw, bracket	3/4" chrome	'41-'64	0.90 ☼
"	<b>R033XL</b>	Screw, bracket	1" cad	'41-'64	0.75 ☼
"	<b>R033XLC</b>	Screw, bracket	1" cad	'41-'64	0.90 ☼
H.	<b>R0104P</b>	Nut, clamp screw	park	'41-'64	0.50 ☼
I.	<b>4156-41</b>	Screw, pivot		'41-'64	3.00 ☼
J.	<b>0108</b>	Nut	park		1.50 ☼
"	<b>R0108P</b>	Nut	park		1.13 ☼
"	<b>R0108M</b>	Nut	cad		1.19 ☼
"	<b>R0108C</b>	Nut	chrome		0.88 ☼
K.	<b>4160-28</b>	Clamp, handlebar	black	'29-'63	19.00 ☼
"	<b>R4160-28</b>	Clamp, handlebar	park	'29-'63	13.75 ☼
L.	<b>053</b>	Screw	park		3.00 ☼
"	<b>R053P</b>	Screw	park		1.56 ☼
"	<b>R053C</b>	Screw	chrome		1.80 ☼
M.	<b>R0256P</b>	Lockwasher	park		0.25 ☼
"	<b>R0256</b>	Lockwasher	zinc		0.25 ☼
"	<b>R0256C</b>	Lockwasher	chrome		0.38 ☼



	<b>R4163-30</b>	Clamp, fork	park	'30-'39	25.00 ☼
N.	<b>4162-36</b>	Clamp, fork	park	'40-'52	5.50 ☼
"	<b>R4162-36</b>	Clamp, fork	park	'40-'52	5.50 ☼
"	<b>R4162-36C</b>	Clamp, fork	chrome	'40-'52	
O.	<b>R035P</b>	Screw	park		0.63 ☼
"	<b>R035</b>	Screw	cad		0.69 ☼
"	<b>R035C</b>	Screw	chrome		0.81 ☼
P.	<b>R4162-30</b>	Clamp, shackle stud	park	'30-'39	6.25 ☼
X.	<b>R4163-40</b>	Clamp, shackle stud	park	'40-'52	6.88 ☼
"	<b>C2950-1</b>	Clamp, shackle stud	cad	'40-'52	6.88 ☼
clamp <b>R4163-40</b> is not used on WLC models and '41-up Servi-cars.					

## Brake Control Cables

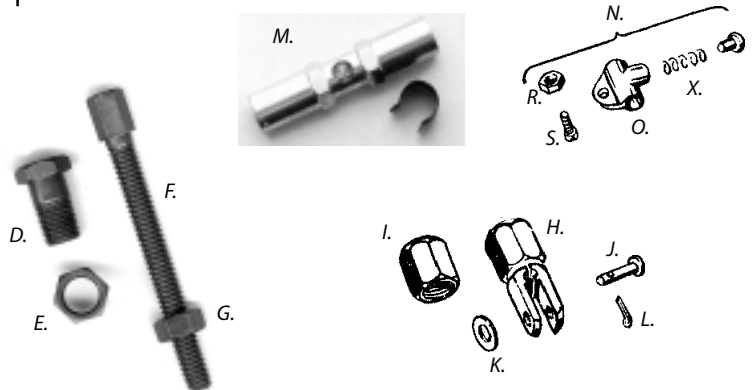
A.	<b>R4143-30</b>	Outer cable, plastic covered, 130 cm			37.50 ☼
"	<b>R4143-39</b>	Outer cable, cotton braided, 130 cm			n.a.
B.	<b>4145-28</b>	Inner cable			n.a.
"	<b>R4145-28</b>	Inner cable			7.50 ☼
C.	<b>R4144-30P</b>	Ferrule, control coil	park		5.50 ☼
"	<b>R4144-30</b>	Ferrule, control coil	cad		5.50 ☼
"	<b>R4144-30AP</b>	End nut	park	'30-'40	9.38 ☼



D.	<b>R4165-28P</b>	Adjusting screw	park	'29-'40	10.00 ☼
"	<b>R4165-28</b>	Adjusting screw	cad	'29-'40	15.00 ☼
"	<b>R4165-28C</b>	Adjusting screw	chrome	'29-'40	15.63 ☼
E.	<b>R4166-28P</b>	Nut	park	'29-'40	1.75 ☼
"	<b>R4166-28</b>	Nut	cad	'29-'40	1.88 ☼
"	<b>R4166-28C</b>	Nut	chrome	'29-'40	2.50 ☼
F.	<b>4165-41</b>	Adjusting screw	park	'41-'57	18.50 ☼
"	<b>R4165-41P</b>	Adjusting screw	park	'41-'57	21.25 ☼
"	<b>R4165-41</b>	Adjusting screw	cad	'41-'57	21.88 ☼
"	<b>R4165-41C</b>	Adjusting screw	chrome	'41-'57	23.75 ☼
G.	<b>R0111P</b>	Nut only	park	'41-'57	1.13 ☼
"	<b>R0111</b>	Nut only	cad	'41-'57	1.19 ☼
"	<b>R0111C</b>	Nut only	chrome	'41-'57	1.00 ☼

M.	<b>R4142-30</b>	Coil coupling (oiler)	cad	'30-'38	32.50 ☼
"	<b>4143-30B</b>	Short coil, lever to oiler		'30-'38	☼
N.	<b>4140-39</b>	Kit, coil oil cup	park	'39-'57	10.00 ☼
"	<b>R4140-39</b>	Kit, coil oil cup	zinc	'39-'57	5.00 ☼
O.	<b>4141-39</b>	Body, coil oil cup	park	'39-'57	5.00 ☼
X.	<b>4142-39A</b>	Spring, oil cup		'39-'57	1.50 ☼
R.	<b>R0105AP</b>	Nut	park	'39-'57	0.50 ☼
"	<b>R0105AZ</b>	Nut	zinc	'39-'57	0.50 ☼
"	<b>R0105AC</b>	Nut	chrome	'39-'57	
S.	<b>R035P</b>	Screw	park	'39-'57	0.63 ☼
"	<b>R035</b>	Screw	cad	'39-'57	0.69 ☼
"	<b>R035C</b>	Screw	chrome	'39-'57	0.81 ☼

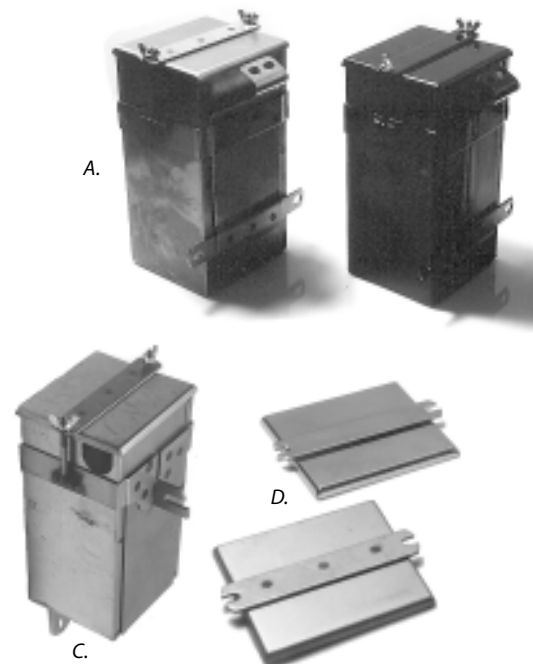
	<b>4144-41</b>	Felt washer, brake cable		'41-'57	3.00 ☼
H.	<b>4170-28</b>	Connection with nut	park		14.00 ☼
"	<b>4170-28.2pack</b>	Genuine bag with two connections			30.00 ☼
I.	<b>4171-29</b>	Nut only	park		3.00 ☼
J.	<b>4069-26</b>	Pin			2.00 ☼
K.	<b>0207</b>	Washer	park		1.00 ☼
L.	<b>R0290P</b>	Cotter pin	park		0.19 ☼
"	<b>R0290</b>	Cotter pin	zinc		0.15 ☼



**Battery Box**

All battery boxes are sold with cover and wing nuts

A.	<b>R4404-29</b>	Battery box	bare	'29-'52	⊗
"	<b>R4404-29B</b>	Battery box	black	'29-'52	⊗
	<b>R4404-29A</b>	Liner only			
	<b>R4405-32B</b>	Batt. box, Servi-car	black	'32-'39	145.00 ⊗
C.	<b>R4405-40</b>	Batt. box, Servi-car	bare	'40-'63	130.00 ⊗
"	<b>R4405-40B</b>	Batt. box, Servi-car	black	'40-'63	⊗
D.	<b>R4407-29</b>	Cover, battery box	bare	'29-'56	⊗
"	<b>R4407-29B</b>	Cover, battery box	black	'29-'56	⊗
"	<b>R4407-29i</b>	Cover, battery box	black	'29-'56	12.00
F.	<b>R4409-24P</b>	Wing nut 1/4"-20	park	'29-'63	0.60
"	<b>R4409-24</b>	Wing nut 1/4"-20	zinc	'29-'63	0.40
"	<b>R4409-24cad</b>	Wing nut 1/4"-20	cad	'29-'63	1.50 ⊗
"	<b>R4409-24C</b>	Wing nut 1/4"-20	chrome	'29-'63	2.50 ⊗
G.	<b>4411-24</b>	Bolt		'29-'40	6.00 ⊗
"	<b>4411-41</b>	Bolt		'41-'52	5.00 ⊗
"	<b>4411-24</b>	Bolt	Servi-car	'41-'63	6.00 ⊗
H.	<b>R4413-24</b>	Pin		'29-'63	⊗
I.	<b>R4427-15</b>	Mat, battery		'29-'63	3.50 ⊗



**Mounting Hardware**

K.	<b>R4417-29P</b>	Screw plate	park	7.19 ⊗
"	<b>R4417-29</b>	Screw plate	cad	7.50 ⊗
L.	<b>R6114-36P</b>	Stud	park	8.13 ⊗
"	<b>R6114-36</b>	Stud	cad	8.13 ⊗
"	<b>R6114-36C</b>	Stud	chrome	9.38 ⊗

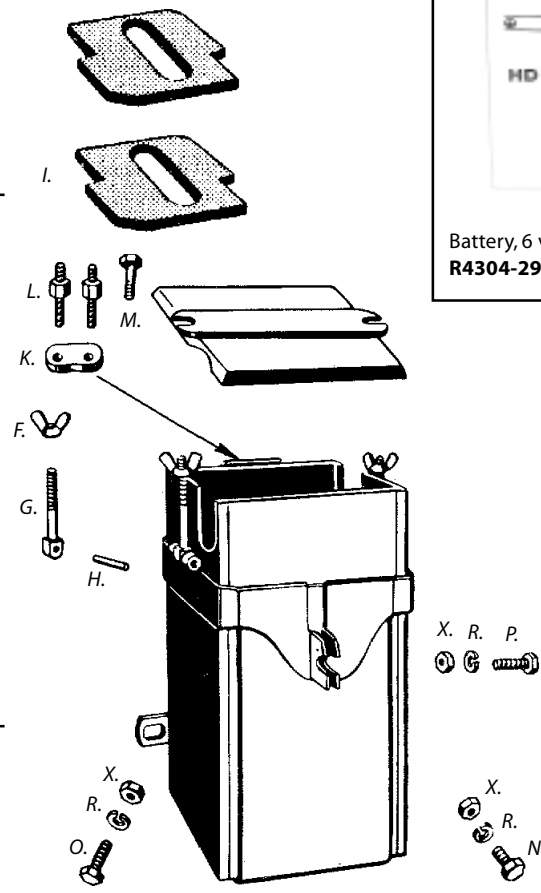
Note : Use these studs for mounting rear safety guard

M.	<b>R3748-26P</b>	Bolt	"1038 cp" park	2.50 ⊗
"	<b>R3748-26</b>	Bolt	"1038 cp" cad	2.50 ⊗
"	<b>R3748-26C</b>	Bolt	chrome	2.50 ⊗

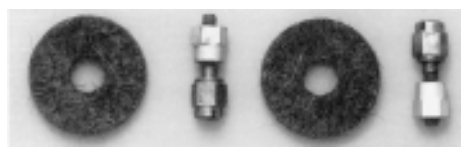
Note : Use these bolts without safety guard

N.	<b>061</b>	Bolt	"1035 cp" park	2.50 ⊗
"	<b>R061PS</b>	Bolt	plain park	1.63 ⊗
"	<b>R061P</b>	Bolt	"1038 cp" park	1.63 ⊗
"	<b>R061</b>	Bolt	"1038 cp" cad	1.69 ⊗
"	<b>R061C</b>	Bolt	chrome	1.40 ⊗
O.	<b>R064P</b>	Bolt	"1038 cp" park	1.81 ⊗
"	<b>R064PS</b>	Bolt	plain park	1.81 ⊗
"	<b>R064</b>	Bolt	cad	1.88 ⊗
"	<b>R064C</b>	Bolt	chrome	2.13 ⊗
P.	<b>R066P</b>	Bolt	"1038 cp" park	2.19 ⊗
"	<b>R066PS</b>	Bolt	plain park	2.19 ⊗
"	<b>R066C</b>	Bolt	chrome	1.30 ⊗
X.	<b>R0117P</b>	Nut	park	1.19 ⊗
"	<b>R0117M</b>	Nut	cad	1.25 ⊗
"	<b>R0117C</b>	Nut	chrome	0.94 ⊗
R.	<b>R0259P</b>	Lockwasher	park	0.25 ⊗
"	<b>R0259</b>	Lockwasher	zinc	0.25 ⊗
"	<b>R0259C</b>	Lockwasher	chrome	0.38 ⊗

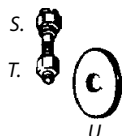
<b>1123-29</b>	Bolt, Servi-car	'40-'63	park	1.50 ⊗
<b>R1123-29</b>	Bolt, Servi-car	'40-'63	cad	3.13 ⊗
<b>R1123-29C</b>	Bolt, Servi-car	'40-'63	chrome	4.06 ⊗
<b>R451-37P</b>	Nut, Servi-car	'40-'63	park	1.13 ⊗
<b>R451-37</b>	Nut, Servi-car	'40-'63	cad	1.13 ⊗
<b>R451-37C</b>	Nut, Servi-car	'40-'63	chrome	1.56 ⊗



Battery, 6 volt '29-'63  
**R4304-29** n.a.



**R4435-23**



S.	<b>4433-23</b>	Screw, terminal	cad	'29-'63	n.a. ⊗
T.	<b>4434-23</b>	Nut	cad	'29-'63	1.70 ⊗
U.	<b>4433-23A</b>	Felt, terminal		'29-'63	1.00 ⊗
	<b>R4435-23</b>	Complete set	cad	'29-'63	17.50 ⊗

# Instrument Panel

## '39-'46

B.	<b>R4505-39AP</b>	Screw, cover	park	'39-'46	0.50	✳
"	<b>R4505-39A</b>	Screw, cover	zinc	'39-'46	0.50	✳
"	<b>R4505-39AC</b>	Screw, cover	chrome	'39-'46	0.65	✳
C.	<b>4518-36</b>	Screw, cover	park	'37-'46	2.50	✳
"	<b>R4518-36</b>	Screw, cover	cad	'37-'46	2.25	✳
"	<b>R4518-36C</b>	Screw, cover	chrome	'37-'46	3.00	✳
D.	<b>R4518-38P</b>	Plug, left side	park	'38-'67	n.a.	✳
"	<b>R4518-38</b>	Plug, left side	cad	'38-'67	n.a.	✳
	<b>R4522-36</b>	Panel window	clear	(1) 1937	n.a.	✳
AB.	<b>R4523-36</b>	Gasket, window		1937	n.a.	✳
	<b>R4522-38</b>	Panel window	red	1938	22.00	✳
	<b>R4522-38A</b>	Panel window	green	1938	22.00	✳
E.	<b>R4526-39</b>	Set of windows	red/green	'39-'46	9.00	

AC. **R3574-37A** Oil pressure indicator pipe '37-only  
Connection to gauge must be made after fitting on bike. n.a. ✳

F.	<b>R4519-39AP</b>	Side plate	park	'39-'46	5.50	
"	<b>R4519-39A</b>	Side plate	cad	'39-'46	5.00	
"	<b>R4519-39AC</b>	Side plate	chrome	'39-'46		
G.	<b>R035P</b>	Screw	park		0.63	✳
"	<b>R035</b>	Screw	cad		0.69	✳
"	<b>R035C</b>	Screw	chrome		0.81	✳
H.	<b>R0254P</b>	Lockwasher	park		0.25	✳
"	<b>R0254</b>	Lockwasher	zinc		0.20	✳
"	<b>R0254C</b>	Lockwasher	chrome		0.38	✳
"	<b>R4506-36</b>	Stud, panel base		'37-'46	6.25	✳
J.	<b>R4927-15</b>	Bulb, panel	6 Volt	'37-'46	1.70	

	<b>R4550-37</b>	Speedometer light switch		'37-'38	47.81	✳
	<b>R4556-37</b>	Speedo switch lever		'37-'38	15.63	✳
	<b>R4550-39</b>	Speedometer light switch		'39-'46	47.81	✳
M.	<b>R4556-39P</b>	Speedo switch knob park		'39-'42	11.88	✳
"	<b>R4556-39C</b>	Speedo switch knob chrome		'39-'42	13.75	✳
"	<b>R4556-42P</b>	Speedo switch knob park		'43-'46	11.88	✳
"	<b>R4556-42C</b>	Speedo switch knob chrome		'43-'46	13.75	✳

	<b>C2714-36</b>	Instrument panel restoration kit			59.06	✳
	<b>C2609-4</b>	Dash bulb contact spring set			42.18	✳
	<b>R4523-39</b>	Panel light shield, right		'39-'46	4.00	✳
	<b>R4523-39A</b>	Panel light shield, left		'39-'46	4.00	✳
	<b>R4509-38</b>	Bulb sockets		'38-'46	10.31	✳
	<b>R4509-38A</b>	Insulator, bulb socket		'38-'46	6.88	✳
	<b>C7715-6</b>	Dash mounting kit		'39-'46	28.13	✳

Kit includes base to frame studs, cover to base screws and ignition switch to base screws and spacers.

## '47-'67

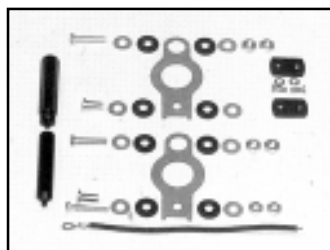
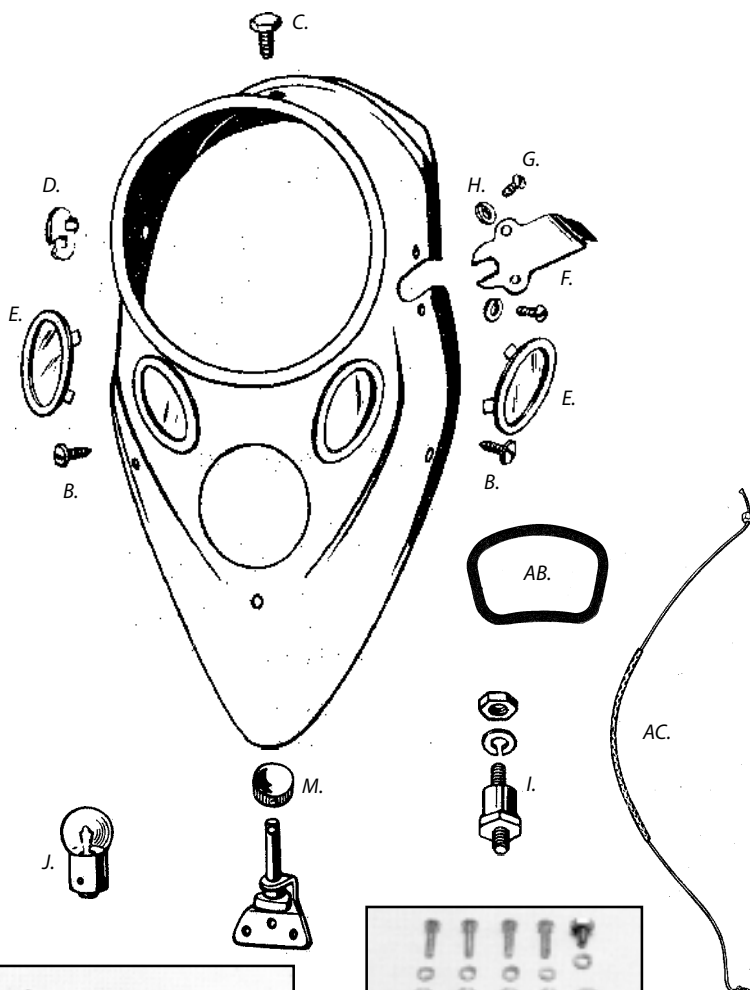
Q.	<b>R4506-47</b>	Stud, mounting, with nut	cad		16.25	✳
R.	<b>R4506-47AC</b>	Center screw, dash cover	chrome		9.38	✳
S.	<b>R4506-47B</b>	Locktab, mounting stud			4.06	✳
T.	<b>R2242-36B</b>	Washer, dash cover screw			0.50	
	<b>C7716-2</b>	Dash cover mounting kit	chrome		28.75	✳
	<b>R4512-47</b>	Rubber, dashboard cover			n.a.	✳
U.	<b>R4513-47</b>	Bulb, panel lamp	6 Volt		n.a.	
D.	<b>R4518-38</b>	Plug, left side	cad		n.a.	✳
V.	<b>R4519-47</b>	Side plate, right side	cad		7.00	✳
"	<b>R4519-47C</b>	Side plate, right side	chrome		8.00	✳
W.	<b>R4526-47</b>	Window, instrument panel		'47-'61	6.00	

	<b>C2713-42</b>	Instrument panel restoration kit			30.00	✳
--	-----------------	----------------------------------	--	--	-------	---

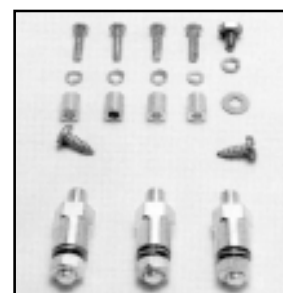
Terminal screws with insulators, and plate to frame screws.

## Wiring Clamps

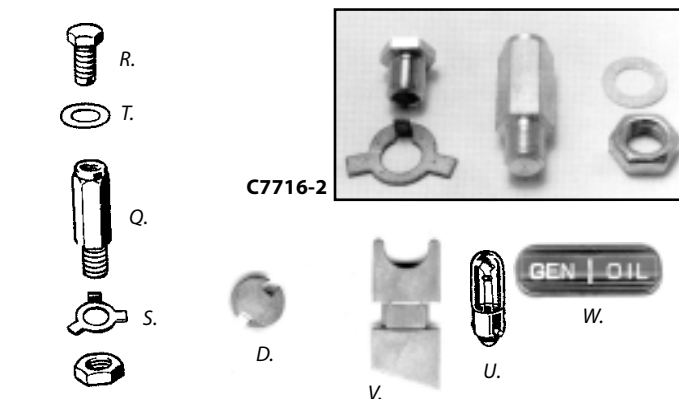
	<b>R1602-30</b>	Clamp, taillight wire	park		14.38	✳
	<b>R4703-38A</b>	Clamp, front fork wires	park		4.00	✳
	<b>R4728-25</b>	Clamp, front tube, seat post tube	park		15.00	✳
	<b>R4730-30A</b>	Clamp, frame head	park		15.00	✳
	<b>R4724-15</b>	Small tubing clamp	fender lamp		5.00	✳
	<b>4727-42</b>	Clip, taillight wire	WLA	'42-'52	6.00	✳
	<b>4727-42.5pack</b>	Genuine bag with 5 clips			31.00	✳



C2714-36



C7715-6



C7716-2



**Wiring Kits**

Include low tension wiring and loom.  
Kits do not include turn signal wires, fender light wires or Servi-car/sidecar taillight wires.



<b>R4735-36</b>	Wiring kit	1937	127.50	⊕
<b>R4735-38A</b>	Wiring kit	'38-'46 Civilian and WLC	129.50	⊕
<b>R4736-42M</b>	Wiring kit	'42-'46 WLA military	145.00	⊕
<b>R4736-42MS</b>	Wiring kit	'42-'46 WLA military	147.50	⊕
(this kit includes mostly "solid color" wiring, without tracer)				
<b>R4735-47</b>	Wiring kit	1947	129.50	⊕
<b>R4735-48</b>	Wiring kit	'48-'57 springer fork	137.50	⊕
<b>R70321-58</b>	Wiring kit	'58-'63 hydra fork	140.00	⊕
<b>R70272-64</b>	Wiring kit	'64-'65 (Servi-car only)	195.00	⊕
<b>R70272-66</b>	Wiring kit	'66-'70 (Servi-car only)	260.00	⊕
<b>R70272-71</b>	Main wiring kit	'71-'73 (Servi-car only)	140.00	⊕
<b>R4704-39B</b>	Taillight wires only	'39-'47	n.a.	⊕
<b>R4704-48</b>	Taillight wires only	'48-'52	16.00	⊕
<b>R4732-34</b>	Servi-car/sidecar taillight wires		n.a.	⊕
<b>R4702-36A</b>	Wires, handlebar switches		n.a.	⊕
<b>R70091-57</b>	Turn signal wire kit		n.a.	⊕

**Wire**

fabric as used on '69 and earlier models

<b>R4712-15A</b>	black / white tracer	1 meter	2.00	⊕
<b>R4712-15B</b>	green / white tracer	1 meter	2.00	⊕
<b>R4712-15C</b>	yellow / black tracer	1 meter	2.00	⊕
<b>R4712-15D</b>	red / white tracer	1 meter	2.00	⊕
<b>R4712-15E</b>	green	1 meter	2.00	⊕
<b>R4712-15F</b>	red	1 meter	2.00	⊕
<b>R4712-15G</b>	black / red tracer	1 meter	2.00	⊕
<b>R4712-15H</b>	gray / black tracer	1 meter	2.00	⊕
<b>R4712-15K</b>	red / black tracer	1 meter	2.00	⊕
<b>R4712-15M</b>	blue / white tracer	1 meter	2.00	⊕
<b>R4712-15P</b>	red / yellow tracer	1 meter	2.00	⊕
<b>R4712-15R</b>	black	1 meter	2.00	⊕
<b>R4712-15S</b>	white / blue tracer	1 meter	2.00	⊕
<b>R4712-15T</b>	light blue / black tracer	1 meter	2.00	⊕
<b>R4712-15U</b>	yellow	1 meter	2.00	⊕

**Wire loom**

Asphalt type fabric as used on '69 and earlier models

<b>R4711-45A</b>	I.D. 3/16"	4,		
<b>R4711-45B</b>	I.D. 1/4"	6,35mm	1 meter	3.50
<b>R4711-45C</b>	I.D. 5/16"	7,93mm	1 meter	3.50
<b>R4711-45D</b>	I.D. 3/8"	9,52mm	1 meter	4.00
<b>R4711-45E</b>	I.D. 1/2"	12,70mm	1 meter	n.a.

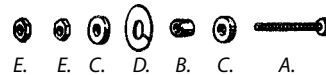
**Terminals**

<b>R1520-40</b>	Flag terminal	14-16 gauge, #10 eye	0.58	⊕
<b>R1520-41</b>	Ring terminal	14-16 gauge, #6 eye	0.25	⊕
<b>R1520-42</b>	Ring terminal	14-16 gauge, #10 eye	0.25	⊕
<b>R1520-43</b>	Flag terminal	14-16 gauge, #12 eye	0.50	⊕

**Terminals**

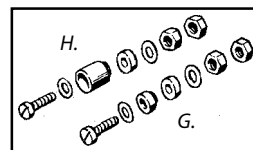
Fits in frame under seat, 2 used on all models '36-'47

A. <b>R1523-26</b>	Screw, terminal	cad	1.50	⊕
B. <b>R1665-32</b>	Bushing, terminal		1.88	⊕
C. <b>R1666-32</b>	Washer, terminal		1.75	⊕
D. <b>R1617-29</b>	Washer (paper)		1.56	⊕
E. <b>0105cop</b>	Nut		0.70	⊕
" <b>0105copM</b>	Nut	"machined"	1.30	⊕
F. <b>R1523-26A</b>	Complete kit	'36-'47	15.00	⊕



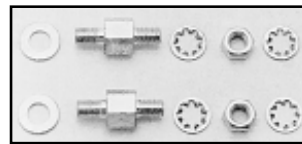
**Headlamp Bracket, '46-'57 models**

G. <b>R4955-47kit</b>	Terminal, short (standard)	'46-'57	9.38	⊕
H. <b>R11365-47kit</b>	Terminal, long (spotlights)	'46-'57	11.25	⊕

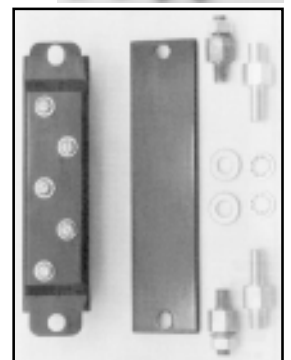


**Terminal Box**

<b>C8005-12</b>	Electrical terminal box	'48-'73	66.25	⊕
Includes coil mounting studs.				
<b>4592-48</b>	Stud, coil mounting	'48-'70	6.00	⊕
<b>C8823-10</b>	Coil mounting stud kit	'48-'70	14.38	⊕
<b>C8824-8</b>	Coil mounting stud kit	'71-'73	15.63	⊕



**C8823-10**



**C8005-12**

**Wiring**

Note: These wires are original (old), use only for restorations.  
Not recommended for daily drivers, use new wiring kit instead.

<b>1741-36</b>	Wire, generator to relay	'36-'46	6.00	⊕
<b>1741-41M</b>	Wire, generator to switch	'41-'47	15.00	⊕
<b>4702-41</b>	Wire, auxiliary switch	WLC '42-'43	14.00	⊕
<b>4703-41M</b>	Wire, toggle switch	WLA '43-'46	15.00	⊕
<b>4707-42M</b>	Wire, cond. to gen.	WLA '42-'52	6.00	⊕
<b>4708-41M</b>	Wire, signal light	WLA '42-'47	4.00	⊕
<b>4733-41M</b>	Wire, stoplight switch	WLA '42-'52	17.00	⊕

<b>4702-44</b>	Bond wire, oil tank to cylinder head	7.00	⊕
<b>4727-44</b>	Clip, bond wire, cyl.head WLA '44-'52	5.00	⊕

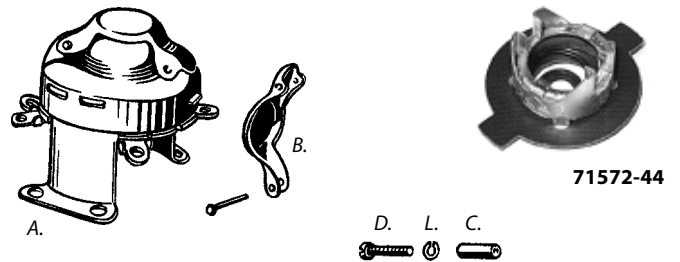


# Switches

## Ignition Switches

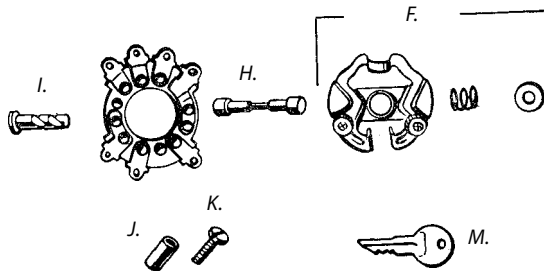
### Civilian + WLC (5-point)

A.	<b>R4527-36C</b>	Switch	chrome '37-'73	34.00
B.	<b>R4531-36C</b>	Cover only	chrome '37-'73	n.a.
	<b>R010Z</b>	Screw, terminal contact	6-32 x 1/4"	0.30
	<b>R4541-36</b>	Contact roller		10.31 *
C.	<b>R4560-39P</b>	Spacer switch	park '39-'46	1.80 *
"	<b>R4560-39</b>	Spacer switch	cad '39-'46	1.80 *
D.	<b>R027</b>	Screw	cad	0.69 *
L.	<b>R0252</b>	Lockwasher	zinc	0.20 *
	<b>C3347-12</b>	Set spacers and screws	park	10.00 *
	<b>C3348-12</b>	Set spacers and screws	cad	10.00 *
	<b>71572-44</b>	Contact holder	'44-up type	16.00 *



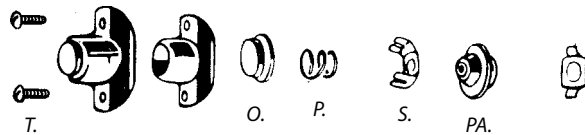
### WLA '42-'52 (7-point)

F.	<b>4539-41M</b>	Plate, switch, lower (set)		12.00 *
H.	<b>4541-41M</b>	Contact roller		10.50 *
I.	<b>4543-44</b>	Contact roller retainer		3.00 *
	<b>R010Z</b>	Screw, terminal contact	6-32 x 1/4"	0.30
J.	<b>4560-41MA</b>	Spacer, switch	cad	2.50 *
K.	<b>R026P</b>	Screw	park	0.75 *
L.	<b>R0252P</b>	Lockwasher	park	0.25 *
M.	<b>4534-41M</b>	Key, ignition switch	#52732-H-700	5.00 *



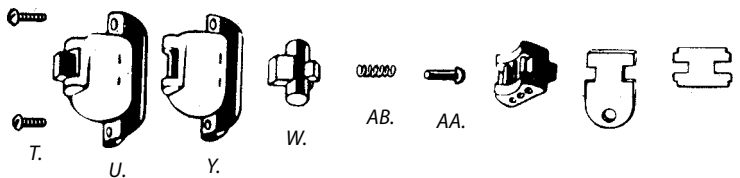
## Horn Switch

O.	<b>4762-26</b>	Button		5.00 *
P.	<b>4764-26</b>	Spring		2.00 *
PA.	<b>4766-26</b>	Insulation		5.00 *
S.	<b>4776-26</b>	Washer, horn spring		8.00 *
T.	<b>R018P</b>	Screw	park	0.56 *
"	<b>R018</b>	Screw	cad	0.63 *
"	<b>R018C</b>	Screw	chrome	0.75 *



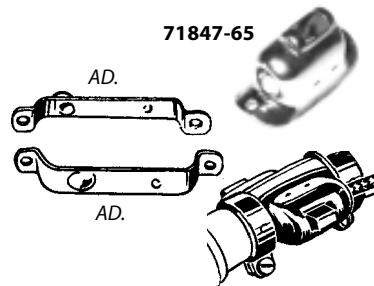
## Headlight Dimmer Switch

U.	<b>4760-29N</b>	Switch	green	75.00 *
W.	<b>4764-29</b>	Lever		n.a. *
"	<b>4768-29N</b>	Housing	green	14.00 *
AA.	<b>4770-29</b>	Pin, contact (2 position)		4.00 *
"	<b>4770-38A</b>	Pin, contact (3 position)		5.00 *
AB.	<b>4771-29</b>	Spring, pin		2.50 *
T.	<b>R018P</b>	Screw	park	0.56 *
"	<b>R018</b>	Screw	cad	0.63 *
"	<b>R018C</b>	Screw	chrome	0.75 *



## Auxiliary switches (external wiring)

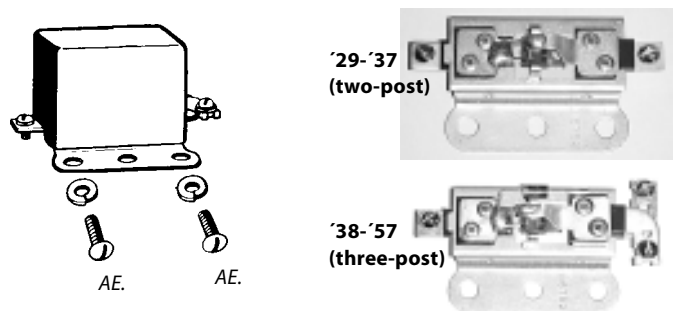
	<b>71847-65</b>	Housing, large hole for braided loom		24.00 *
	<b>4760-38AC</b>	Two-position switch (spotlights)		n.a. *
	<b>4760-50C</b>	Three-position switch (turn signals)		n.a. *
(check website for availability)				
AD.	<b>4761-42N</b>	Clamp, auxiliary switch	green/park	n.a.
"	<b>10001</b>	Clamp, auxiliary switch	zinc	9.00 *
To clamp accessory spotlight or pursuit light switch to handlebar.				
Also WLC military models on rear frame to switch off brake light.				
	<b>R1602-30</b>	Clamp, wire to handlebar	park	14.38 *

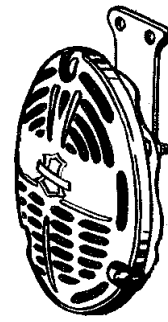


## Relay

Use with 6 Volt 3-brush generator. **V-Tronic.**

	<b>R4785-26</b>	Relay, without cover	'29-'37	47.00
	<b>R4786-26DR</b>	Cover	black '29-'37	14.50
	<b>R4786-26DRC</b>	Cover	chrome '29-'37	17.00
	<b>R4785-38</b>	Relay, without cover	'38-'57	45.00
	<b>R4786-38DR</b>	Cover	black '38-'57	14.00
	<b>R4786-38DRC</b>	Cover	chrome '38-'57	16.50
AE.	<b>R051P</b>	Mounting screw	park	1.44 *
"	<b>R051</b>	Mounting screw	cad	1.50 *
"	<b>R051C</b>	Mounting screw	chrome	2.63 *





<b>R4801-37C</b>	Horn	6 Volt	chrome cover	42.50	(cover with wings and shield)
<b>R4801-37C12</b>	Horn	12 Volt	chrome cover	42.50	(cover with wings and shield)
<b>R4801-37C12V</b>	Horn	12 Volt	chrome cover	30.00	(plain cover)

(horns include custom mounting bracket)

F.	<b>R4884-26</b>	Screw, front cover, with nut	cad	6.00	⊗
----	-----------------	------------------------------	-----	------	---



A.	<b>R4861-29</b>	Spring, horn bracket	'30-'41	8.25	⊗
B.	<b>R4862-29</b>	Spring plate, straight	'30-'41	6.75	⊗
C.	<b>R4862-31</b>	Spring plate, curved	'31-'41	8.25	⊗
D.	<b>R4858-36A</b>	Flexible connection	'40-'41	10.00	⊗

E.	<b>R4884-31</b>	Screw, horn mounting	'31-'41	4.00	⊗
F.	<b>R4884-26</b>	Screw, front cover	'29-'57	6.00	⊗

	<b>R4863-31KIT</b>	Horn mounting kit	'31-'39	110.00	⊗
	<b>R4863-36KIT</b>	Horn mounting kit	'40-'41	110.00	⊗

Includes all plates and screws to mount horn to upper and lower brackets.

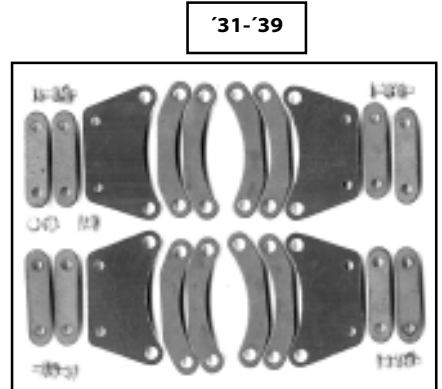
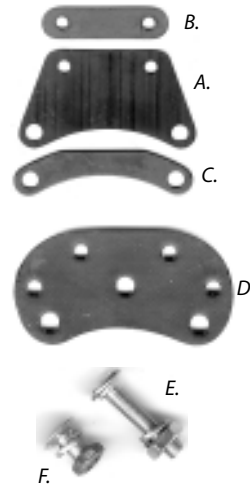
G.	<b>4858-36</b>	Upper horn bracket	park '40-'45	16.50	⊗
H.	<b>R4966-45</b>	Bracket, light/horn	black '46-'57	36.00	
"	<b>R4966-45C</b>	Bracket, light/horn	chrome '46-'57	33.00	

I.	<b>R4857-36</b>	Lower horn bracket	park '40-'41	n.a.	⊗
"	<b>R4857-36C</b>	Lower horn bracket	chrome '40-'41	13.00	⊗
"	<b>R4857-42</b>	Lower horn bracket	park '42-'45	n.a.	⊗
"	<b>R4857-42C</b>	Lower horn bracket	chrome '42-'45	n.a.	⊗
"	<b>R4857-45B</b>	Lower horn bracket	black '46-'57	10.00	
"	<b>R4857-45C</b>	Lower horn bracket	chrome '46-'57	11.00	
J.	<b>R4857-36A</b>	Reinforcement	park '40-'57	4.00	⊗
K.	<b>R4859-42</b>	Horn backing plate	'42-'57	14.00	
"	<b>R4859-42usa</b>	Horn backing plate	zinc "U S A"	14.00	

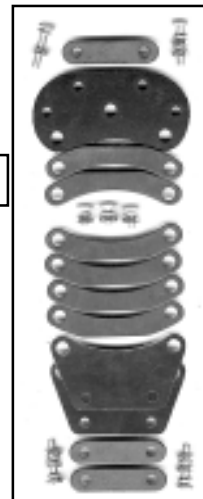
Use backing plate to repair original horn or to mount repro horn.

L.	<b>R4829-42</b>	Plate, horn terminal	'42-'45	8.50	
M.	<b>R4855-42</b>	Spring plate	park '42-'57	7.00	⊗
N.	<b>R4856-42</b>	Bolt, long	park '42-'45	6.00	⊗
"	<b>R4856-42C</b>	Bolt, long	chrome '42-'45	8.00	⊗
"	<b>R4856-42M</b>	Bolt, short	park '46-'57	6.00	⊗
"	<b>R4856-42MC</b>	Bolt, short	chrome '46-'57	7.50	⊗

O.	<b>R4955-47kit</b>	Terminal, short (standard)	'46-'57	9.38	⊗
OO.	<b>R11365-47kit</b>	Terminal, long (spotlights)	'46-'57	11.25	⊗



R4863-31kit

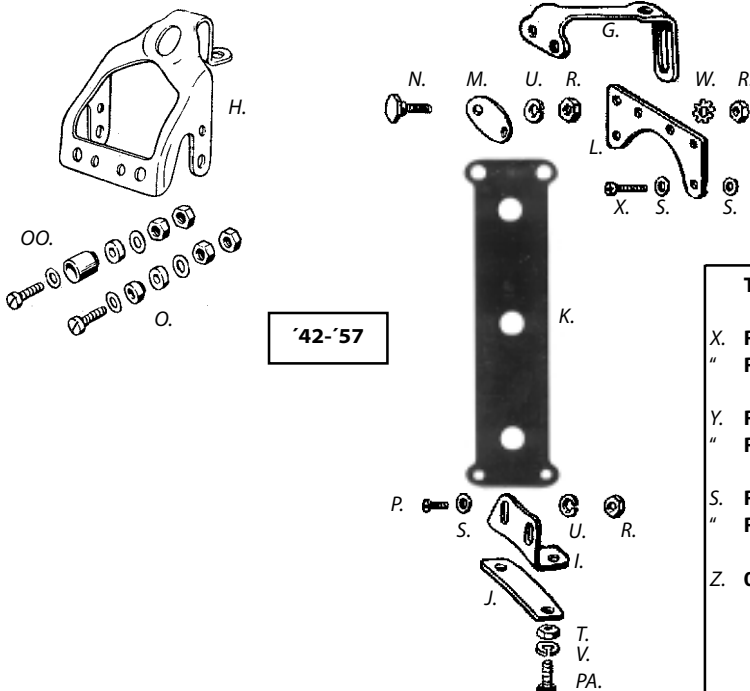


R4863-36kit

**Screws, nuts, etc.**

P.	<b>R031P</b>	Screw	park	0.63
"	<b>R031Z</b>	Screw	zinc	0.30
"	<b>R031C</b>	Screw	chrome	0.60
PA.	<b>R051P</b>	Screw	park	1.44
"	<b>R051</b>	Screw	cad	1.50
"	<b>R051C</b>	Screw	chrome	2.63
R.	<b>R0104P</b>	Nut	park	0.50
"	<b>R0104Z</b>	Nut	zinc	0.40
"	<b>R0104C</b>	Nut	chrome	0.75
S.	<b>R0201P</b>	Washer	park	0.31
"	<b>R0201</b>	Washer	zinc	0.38
T.	<b>0108</b>	Nut	park	1.50
"	<b>R0108P</b>	Nut	park	1.13
"	<b>R0108M</b>	Nut	cad	1.19
"	<b>R0108C</b>	Nut	chrome	0.88
U.	<b>R0254P</b>	Lock	park	0.25
"	<b>R0254</b>	Lock	zinc	0.20
"	<b>R0254C</b>	Lock	chrome	0.38
V.	<b>R0256P</b>	Lock	park	0.25
"	<b>R0256</b>	Lock	zinc	0.25
"	<b>R0256C</b>	Lock	chrome	0.38
W.	<b>R0354</b>	Lock	zinc	0.20

X.	<b>R038Z</b>	Screw	zinc	0.50
"	<b>R038P</b>	Screw	park	0.63
Y.	<b>R0105AP</b>	Nut	park	0.50
"	<b>R0105AZ</b>	Nut	zinc	0.50
S.	<b>R0201P</b>	Washer	park	0.31
"	<b>R0201</b>	Washer	zinc	0.38
Z.	<b>0105cop</b>	Nut	brass	0.70

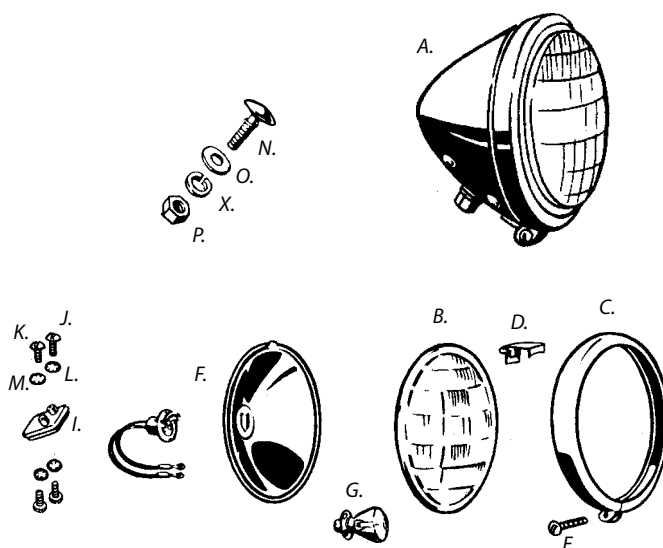


'42-'57



## Headlamp

A.	<b>R4901-35</b>	Headlamp, black/chrome ring	6V	75.00
"	<b>R4901-35C</b>	Headlamp, chrome	6V	80.00
"	<b>R4901-35C12V</b>	Headlamp, chrome	12V	82.00
B.	<b>R4906-35</b>	Headlamp lens Cyclaray (no road use)		18.00
"	<b>R4906-35pack</b>	5 Headlamp lenses		75.00
	<b>R4910-35</b>	Glas retainer spring		8.75 *
	<b>R4912-35</b>	Gasket, lens		12.00 *
C.	<b>4914-35N</b>	Door (bezel)	green	37.50 *
"	<b>R4914-35C</b>	Door (bezel)	chrome	19.00
D.	<b>4915-35</b>	Lug, door		1.00 *
E.	<b>R4918-35P</b>	Screw, door fastening	park	1.00 *
"	<b>R4918-35</b>	Screw, door fastening	cad	1.06 *
"	<b>R4918-35C</b>	Screw, door fastening	chrome	1.50 *
F.	<b>R4922-35kit</b>	Reflector, with socket and wiring		22.00
G.	<b>R4925-35</b>	Bulb, headlamp	6 Volt 35/35W	5.00
"	<b>R4925-54</b>	Bulb, headlamp	6 Volt 50/50W	5.00
(higher than standard wattage, must be used with 2-brush generator and regulator to prevent drainage of the battery)				
"	<b>R4925-3512</b>	Bulb, headlamp	12 Volt	7.00
I.	<b>4938-35</b>	Block, terminal, incl. 2 screws		n.a.
J.	<b>4940-35</b>	Screw, terminal	8-32	1.50 *
K.	<b>4941-35</b>	Screw, terminal	10-32	1.00 *
L.	<b>R0352</b>	Lockwasher	no. 8 zinc	0.20 *
M.	<b>R0356</b>	Lockwasher	no. 10 zinc	0.20 *
N.	<b>4905-29</b>	Bolt, headlamp fastening		10.00 *
O.	<b>R4971-38AP</b>	Washer, head lamp	park	4.56 *
"	<b>R4971-38A</b>	Washer, head lamp	cad	4.56 *
P.	<b>0134</b>	Nut, headlamp fastening	park	2.00 *
"	<b>R0134P</b>	Nut, headlamp fastening	park	1.69 *
"	<b>R0134</b>	Nut, headlamp fastening	cad	1.81 *
"	<b>R0134C</b>	Nut, headlamp fastening	chrome	3.13 *
X.	<b>R0265P</b>	Lockwasher	park	0.69 *
"	<b>R0265</b>	Lockwasher	zinc	0.75 *
"	<b>R0265C</b>	Lockwasher	chrome	0.94 *



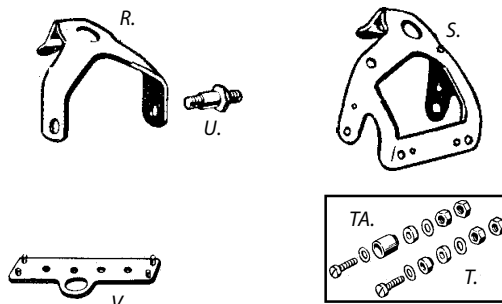
C8943-27

**C8943-27** Headlamp restoration kit cad 32.50 \*

All parts to restore and mount headlamp, includes special bolts to replace rivets.

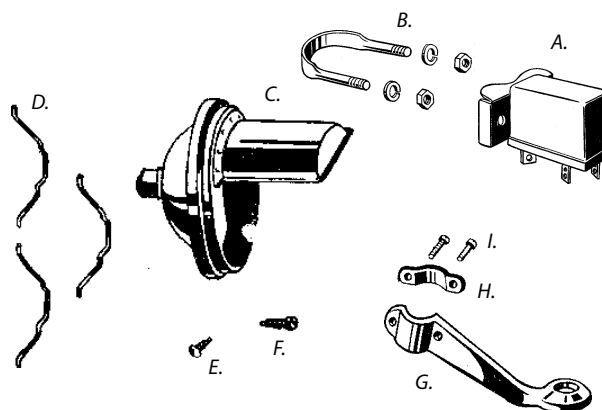
## Headlamp Brackets

R.	<b>R4966-36</b>	Bracket, headlamp	black '40-'45	34.00
"	<b>R4966-36C</b>	Bracket, headlamp	chrome '40-'45	37.50
S.	<b>R4966-45</b>	Bracket, headlamp	black '46-'57	36.00
"	<b>R4966-45C</b>	Bracket, headlamp	chrome '46-'57	33.00
T.	<b>R4955-47kit</b>	Terminal, short (standard)	'46-'57	9.38 *
TA.	<b>R11365-47kit</b>	Terminal, long (spotlights)	'46-'57	11.25 *
	<b>R3475-36</b>	Bolt, lamp bracket	cad '40-'57	10.00 *
	<b>R3475-36C</b>	Bolt, lamp bracket	chrome '40-'57	13.75 *
(only used on models without ride control or shock absorber)				
U.	<b>4969-40M</b>	Bolt, lamp bracket	WLA	8.00 *
(only for mounting gun carrier/ammunition box, without ride control)				
V.	<b>4829-42M</b>	Terminal plate, with rivets		21.00 *
"	<b>C2789-15</b>	Terminal plate, with rivets	<b>Colony</b>	23.13 *
for military headlamp/horn bracket (horn above headlamp)				

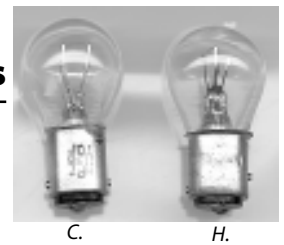


## Front blackout lamp parts WLA

A.	<b>4760-44</b>	Magnetic field switch	'44-'52	n.a. *
B.	<b>1723-30</b>	U-bolt, with nuts	park '44-'52	12.50 *
C.	<b>4909-42</b>	Lamp-unit	'42-'52	43.50 *
D.	<b>4910-42</b>	Spring clip, retainer	'42-'52	1.00 *
E.	<b>4910-42A</b>	Screw, retainer	'42-'52	0.40 *
F.	<b>4918-42</b>	Screw, door	'42-'52	0.40 *
G.	<b>4967-42MA</b>	Bracket, with cap and screws	'42-'52	n.a.
H.	<b>4967-42MC</b>	Cap, bracket	'42-'52	2.00 *
I.	<b>4967-42MD</b>	Screw, bracket cap	'42-'52	1.50 *
	<b>4971-42M</b>	Bearing washer	'42-'52	3.00 *
	<b>4972-42A</b>	Gasket, toggle switch	'42-'52	2.50 *
	<b>4972-42B</b>	Screw with nut, switch	'42-'52	n.a. *

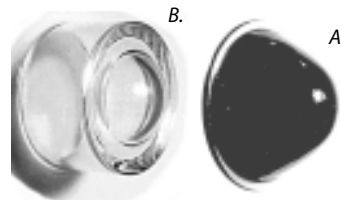


## Taillights



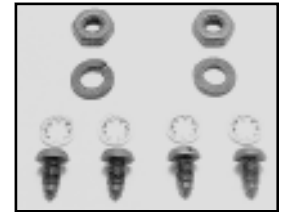
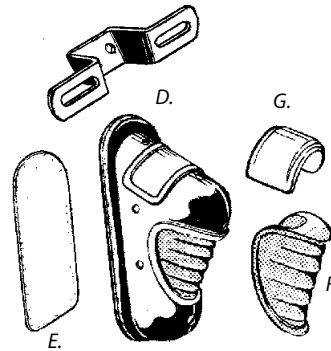
### Taillight '34-'38

A.	<b>R5054-34</b>	Red lens	'34-'38	38.50 ☼
B.	<b>R5065-25</b>	White lens	'25-'38	37.00 ☼
C.	<b>R5058-34</b>	Taillight bulb	6 Volt tail/stop	6.00 ☼



### Taillight '39-'46

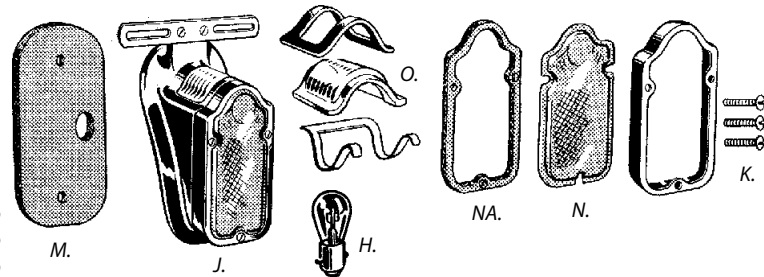
D.	<b>R5051-39</b>	Taillight, Bee-Hive	black	n.a.
"	<b>R5051-39C</b>	Taillight, Bee-Hive	chrome	38.00
Taillight includes plastic lenses, 12 V bulb, rubber gasket and chrome license plate holder.				
E.	<b>R5056-39</b>	Gasket	rubber	n.a.
F.	<b>R5059-39P</b>	Red lens	plastic	7.50
G.	<b>R5063-39P</b>	Clear lens	plastic	n.a.
C.	<b>R5058-34</b>	Bulb	6 Volt fits original taillights	6.00 ☼
H.	<b>R5058-47</b>	Bulb	6 Volt fits repro taillights	2.00
"	<b>R68165-64</b>	Bulb	12 Volt fits repro taillights	2.50
I.	<b>5061-39</b>	Gaskets (2), red lens	'39-'41 (fits only original '39-'41 taillights)	n.a. ☼
	<b>C9813-12</b>	Bee-Hive taillight mounting kit	park Parkerized screws and nuts, fits original taillights.	9.69 ☼



C9813-12

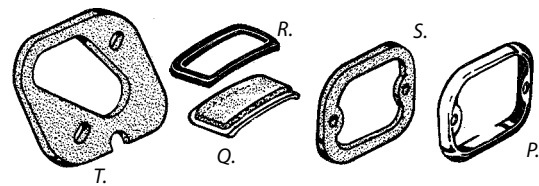
### Taillight '47-'54

J.	<b>R5051-47</b>	Taillight, Tombstone	black	n.a.
"	<b>R5051-47C</b>	Taillight, Tombstone	chrome	38.00
Taillights include plastic lenses, 12Volt bulb, rubber gasket and chrome license plate holder.				
K.	<b>R027P</b>	Screw	park	0.63 ☼
"	<b>R027</b>	Screw	cad	0.69 ☼
"	<b>C2965-3</b>	Set of 3 screws	stainless steel	5.00 ☼
M.	<b>R5056-47</b>	Gasket	foam	n.a. ☼
H.	<b>R5058-47</b>	Bulb, taillight	6 Volt	2.00
"	<b>R68165-64</b>	Bulb, taillight	12 Volt	2.50
N.	<b>R5059-47</b>	Red lens	glass	n.a. ☼
N.	<b>R5059-47P</b>	Red lens	plastic	5.00
NA.	<b>R5061-47</b>	Gasket, red lens		n.a. ☼
O.	<b>R5063-47P</b>	White lens	plastic	5.00 ☼
	<b>C2778-4</b>	License plate bracket screws	'47-'48	5.63 ☼



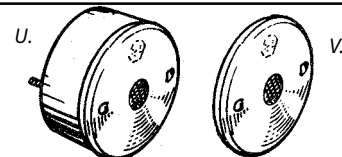
### Taillight '55-'67

P.	<b>68086-55</b>	Door	chrome	45.00 ☼
Q.	<b>R68093-55</b>	Outlook lens	plastic	3.50
R.	<b>R68121-55</b>	Gasket, lens	foam	4.50 ☼
S.	<b>R68122-55</b>	Gasket, lens	foam	5.00 ☼
T.	<b>R68123-55</b>	Gasket, taillight	foam	5.00 ☼



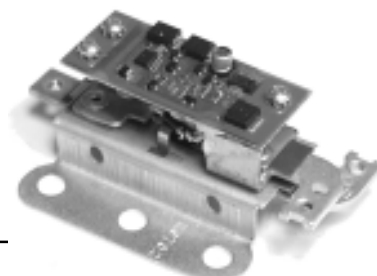
### Taillight '70-'73

U.	<b>R68016-70A</b>	Taillight	Servi-car	black	n.a.
V.	<b>68091-70A</b>	Lens, taillight	Servi-car		65.00 ☼



Special regulators designed for use with two-brush generators on '32-'57 models. Without cover. **V-Tronic**

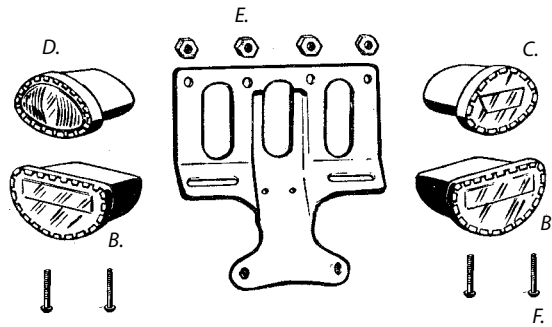
<b>R8375-47</b>	Voltage regulator	6 Volt	99.00
<b>R8375-32</b>	Voltage regulator	12 Volt	99.00
<b>R4786-38DR</b>	Cover	black	20.00
<b>R4786-38DRC</b>	Cover	chrome	21.00



# Taillights

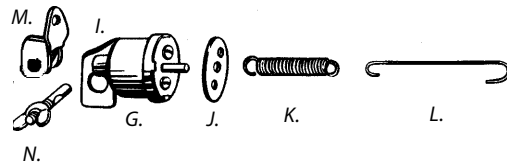
## WLA Taillights

B. 5077-42M	Lamp-unit, black-out taillight		n.a.
C. 5077-42MA	Lamp-unit, black-out stoplight		n.a.
D. 5077-42MB	Lamp-unit, service taillight		n.a.
E. R0107P	Nut 1/4"-20	park	1.12 *
F. 5056-42M	Screw, door		1.50 *



## Stop light switches, '39-'52

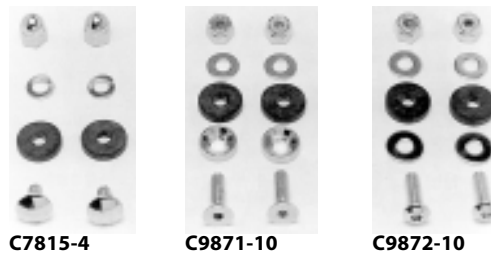
G. R5081-39	Switch only	black	n.a.
H. R5081-39C	Switch, complete	chrome	23.00
Complete switch includes spring, pull wire and rod lock.			
I. 5082-39	Bracket only (for repairs)		2.00 *
J. R5083-39	Insulator, switch		n.a.
K. R5084-39	Spring, operating	black	3.00 *
" R5084-39C	Spring, operating	chrome	6.00 *
L. 5088-39A	Pull wire	park	5.00 *
M. R2958-35	Lock w.stud and nut '37-early '40	park	38.75 *
" R2958-35P	Lock w.stud and nut late '40-up	park	28.13 *
" R2958-35cad	Lock w.stud and nut late '40-up	cad	28.13 *
N. R2958-35A	Stud with wing nut only	zinc	4.00 *



750cc models do not use the brake rod lock for the stop light switch, but on the rear brake rod underneath the tool box.

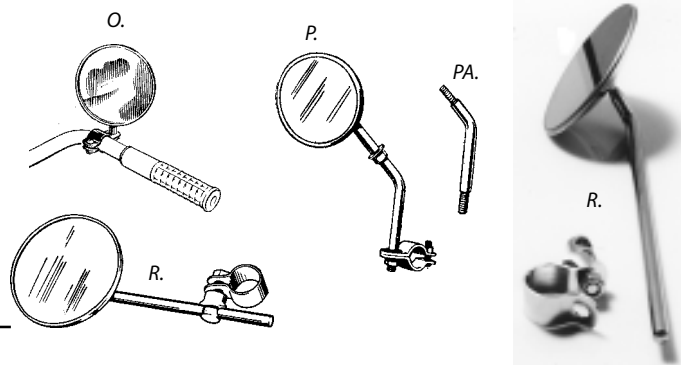
## License plate mounting kit

Chrome plated hardware and rubber insulators to eliminate vibration.			
C7815-4	Kit with acorn nut		10.00 *
C8475-4	Kit with cap nuts		8.75 *
C9871-10	Kit with flat head Allen screws		11.88 *
C9872-10	Kit with button head Allen screws		8.00 *



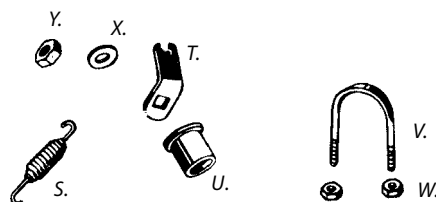
## Rear View Mirrors

O. R11350-34BL	Mirror, short model	black	n.a. *
R11350-34XL	Mirror, bent stem	black	n.a. *
P. R11350-41M	Mirror, with extension	black	n.a. *
PA. R11350-41MA	Extension only		n.a. *
R11350-41MH	Replacement mirror head only		n.a. *
R. R11350-42C	Mirror, with clamp	chrome	10.00
" 91870-34T	Mirror, with clamp "Harley-Davidson"		65.00

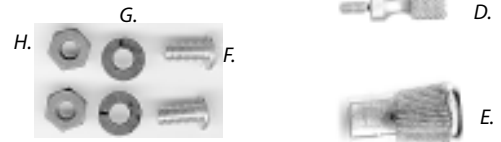


## Jiffy stand parts '30-'52

S. R13202-30	Spring, jiffy leg		5.50
" R13202-30P	Spring, jiffy leg	park	5.50
T. R13203-30AP	Plate, jiffy spring	park	9.00
" R13203-30A	Plate, jiffy spring	zinc	8.75
U. R13205-30	Bushing, jiffy leg		12.00
" R13205-30os	Bushing, jiffy leg	oversize	n.a.
V. 1723-30	U-bolt, with nuts	park	12.50 *
W. 0109	Nut	park	2.00 *
" 0109C	Nut	chrome	2.30 *
X. R0229P	Washer	park	0.63 *
Y. R0133P	Nut	park	1.63 *
" R0133	Nut	cad	1.69 *
" R0133C	Nut	chrome	1.88 *



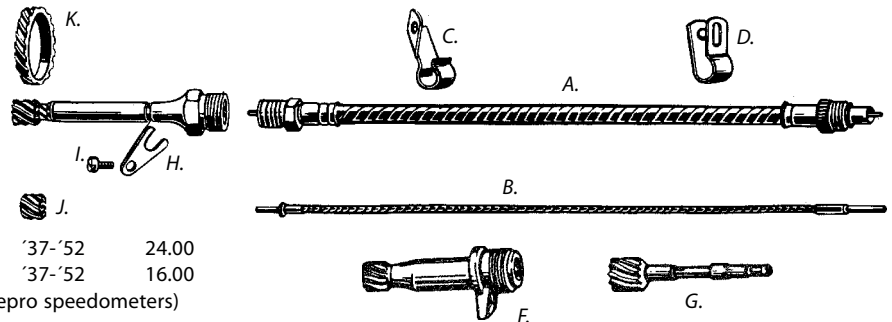
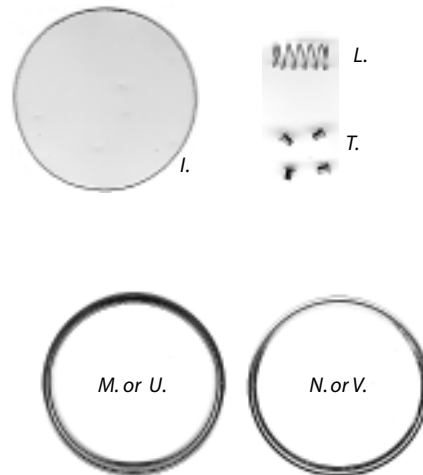
D.	<b>R67215-38</b>	Speedo knob, tripmeter		4.00
(use on some reproduction speedos)				
E.	<b>R67215-68</b>	Speedo knob, tripmeter	'68-'73	4.00
F.	<b>R043P</b>	Screw, speedo mounting	park	0.69 ☉
"	<b>R043Z</b>	Screw, speedo mounting	zinc	0.30
G.	<b>R0255P</b>	Lockwasher	park	0.25 ☉
"	<b>R0255</b>	Lockwasher	zinc	0.20
H.	<b>R0106P</b>	Nut, mounting screw	park	0.50 ☉
"	<b>R0106Z</b>	Nut, mounting screw	zinc	0.30



**Speedo Repair Parts**

For repairing original speedometers.

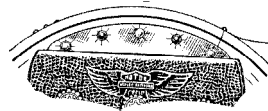
I.	<b>R11129-36</b>	Lens	dome as original	'37-'47	10.00	
L.	<b>R11129-41</b>	Spring, tripmeter knob			1.30	
M.	<b>R11130-36C</b>	Bezel	chrome	'37-'47	n.a. ☉	
"	<b>R11130-41B</b>	Bezel	black	'37-'47	n.a. ☉	
N.	<b>R11130-41R</b>	Retainer	zinc	'37-'47	n.a. ☉	
	<b>R11130-36W</b>	Gasket	rubber	lower	'37-'47	n.a.
	<b>R11130-36Z</b>	Gasket	O-ring	upper	'37-'47	n.a. ☉
T.	<b>R11131-35</b>	Rivet, speedometer face		'37-'47	0.35	
U.	<b>R11130-48C</b>	Bezel	chrome	'48-up	n.a. ☉	
"	<b>R11130-48ST</b>	Bezel	stainless steel	'48-up	18.00 ☉	
	<b>R11130-48G</b>	Gasket	foam	'48-up	n.a. ☉	
	<b>R11130-48R</b>	Retainer	unpainted	'48-'52	11.50 ☉	
	<b>R11130-53R</b>	Retainer	unpainted	'53-'61	8.50 ☉	
V.	<b>R11130-62R</b>	Retainer	zinc	'62-up	8.50 ☉	



A.	<b>R11132-37</b>	Speedometer cable	steel	'37-'52	24.00
"	<b>R11132-37LA</b>	Speedometer cable	pvc	'37-'52	16.00
(female connection; fits late style and repro speedometers)					
B.	<b>11134-41</b>	Inner cable only		'41-'52	25.00 ☉
"	<b>R11134-41</b>	Inner cable only		'41-'52	7.00
C.	<b>R11136-41</b>	Bracket, thick cable	park	'41-'52	9.00
"	<b>R11136-41LA</b>	Bracket, pvc cable	park	'41-'52	9.00
D.	<b>R11136-37</b>	Clamp, thick cable	park	'37-'56	8.13 ☉
"	<b>67074-57</b>	Clamp, pvc cable	park	'57-'73	14.00 ☉
E.	<b>R11138-37C</b>	Drive unit	chrome	'37-'52	28.00
F.	<b>R11138-38</b>	Drive unit	Servi-car	'38-'61	n.a.
G.	<b>R11144-37</b>	Gear & shaft		'37-'52	17.50
"	<b>67134-62</b>	Gear & shaft	Servi-car	'62-'73	65.00 ☉
H.	<b>R11139-37P</b>	Retainer	park	'37-'52	4.00
"	<b>R11139-37</b>	Retainer	cad	'37-'52	4.00
"	<b>R11139-37C</b>	Retainer	chrome	'37-'52	4.50
I.	<b>R030P</b>	Screw	park		0.63
"	<b>R030Z</b>	Screw	zinc		0.30
"	<b>R030C</b>	Screw	chrome		0.75
J.	<b>R11144-37NP</b>	Gear, drive shaft	delryn	'37-'52	4.00
"	<b>R11144-37BR</b>	Gear, drive shaft	brass	'37-'52	4.00
"	<b>R11144-37BR.10pack</b>	10 Gears	brass	'37-'52	35.00
K.	<b>R11145-37A</b>	Gear, drive (brake drum)		'37-'52	20.00

## Accessories

- R11787-XC** Set of saddlebag plates '34-'52 n.a. ✪  
To mount saddlebags directly to fender, 4 hole style chrome  
**C8205-8** Mounting kit, special studs and nuts 33.75 ✪

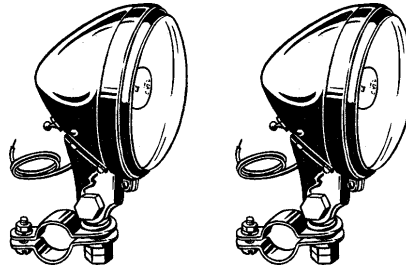


C8205-8



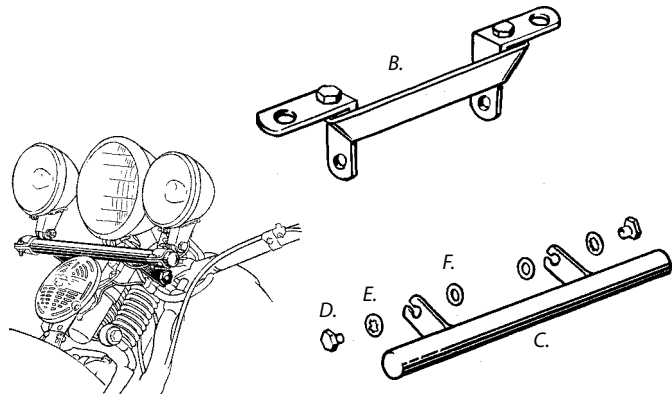
### Spotlights '38-'61

- R11366-38C** Set spotlights 6 Volt chrome 120.00  
**R11366-38C12V** Set spotlights 12 Volt chrome 115.00  
**R4925-206V** Replacement bulb 6 Volt 7.00  
**R4925-2012V** Replacement bulb 12 Volt 7.00  
**C2568-24** Spotlight rebuild kit cad 49.38 ✪  
(for restoring original spotlights)



### Spotlight Brackets

- B. R11369-38** Bracket black n.a. ✪  
" **R11369-38C** Bracket chrome n.a. ✪  
Fits Springer forks with ride control or shock absorber.  
**C. R11369-47** Spotlight bar chrome 42.50  
Fits Springer forks with ride control or shock absorber.  
**D. R3475-46A** Special nut cad 6.25 ✪  
" **R3475-46AC** Special nut chrome 7.50 ✪  
**E. R0390** Lockwasher zinc 0.25 ✪  
**F. R13457-40P** Washer park 1.25 ✪  
" **R13457-40cad** Washer cad 1.38 ✪  
" **R13457-40C** Washer chrome 3.13 ✪  
(This washer is already in place when using ride-control)



- C3240-4** Fender lamp gasket and screw kit '35-'48 18.75 ✪



- C9786-11** Front fender lamp wire kit 32.50 ✪  
Steel tube, clamps, nuts, connectors, wire and loom will secure wire to fender as original on '35-'47 models.  
**4724-15cad** Small tubing clamp only cad 9.00 ✪  
**R4724-15** Small tubing clamp only park 5.00 ✪



C9786-11

### Windshield Parts

- I. 11301-31** Screw, adjusting, thumb '31-'40 15.00 ✪  
**J. 11301-31A** Clamp, thumb screw '31-'40 20.00 ✪  
**11307-41N** Clip, apron '41-'48 n.a. ✪  
**M. 11319-41D** Nut, windshield, tee '41-'48 5.00 ✪  
**11319-41E** Screw, short '41-'48 1.50 ✪  
**11319-41F** Screw, long '41-'48 2.00 ✪

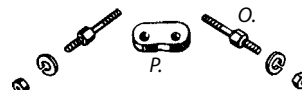


J.



### Safety Guard Mounting

- R13051-38** U-bolt, rear guard '38-'52 park 13.75 ✪  
**O. R6114-36P** Stud '30-'52 park 8.13 ✪  
" **R6114-36** Stud '30-'52 cad 8.13 ✪  
" **R6114-36C** Stud '30-'52 chrome 9.38 ✪  
**P. R4417-29P** Screw plate '29-'52 park 7.19 ✪  
" **R4417-29** Screw plate '29-'52 cad 7.50 ✪



- R13051-X** U-bolt, front guard park 13.75 ✪  
**R13051-CX** U-bolt, front guard chrome 15.00 ✪



**Feeler Gauges**



**MFG002** 25- Blade .0015" - .035" n.a.

**U.S. Pitch Gauge**

**M3118PG** Measures number of threads per inch n.a.  
Essential tool for determining all UNF/UNC and special thread sizes.



**Thread Files**

To restore externally damaged threads.

**MTR1** Contains most popular sizes n.a.  
(11, 12, 13, 14, 16, 18, 20, 24 threads per inch)

**MTR2** Contains less used sizes n.a.  
(9, 10, 12, 16, 20, 27, 28, 32 threads per inch)



**R1080** Solid brass hammer, 48 oz. 1-1/4" head 120.00 ☺



**R1081** Solid brass punch set, 4-piece 139.50 ☺  
Includes 3/8", 1/2", 5/8", 3/4" punch, use 3/8" punch for setting oil pump check valve ball.



**Grease Guns**

- Alemite connections are used with "Alemite" nipples ('24-'37 models).  
- Hydraulic connections are for use with '38-up "Zerk" grease nipples.

**GG1** Grease gun, with hydraulic connection n.a.

**GG3** Grease gun, with Alemite connection n.a.

Grease gun for Alemite nipples uses flexible hose.

**GG4** High pressure hose only 9.50

**GG6** Alemite nipple head 47.50



**GG6**

**C2962-6** Alemite grease nipples (6) brass '24-'37 22.50

**C8770-6** Alemite grease nipples (6) Nickle '24-'37 22.50

# Heli-Coil® / Taps & Dies



Heli-Coil® has the most effective and universally accepted method of thread repair. Heli-Coil® inserts quickly and permanently restore stripped, worn or damaged threads to their original size and condition.

## Heli-Coil® Thread Repair Kits

Individual kits come complete with a quantity of Heli-Coil® stainless steel inserts, a tap and an installation tool, order correct size drill seperately. All kits come with step-by-step instructions.



### Heli-Coil® Kits, UNF-UNC

Kit	Thread	Inserts	Length	Use drill	
<b>H5521-2</b>	8-32	12	.246"	11/64"	56.00
<b>H5521-3</b>	10-24	12	.285"	13/64"	56.00
<b>H5528-3</b>	10-32	12	.285"	13/64"	65.00
<b>H5521-1</b>	12-24	12	.324"	15/64"	57.00
<b>H5521-4</b>	1/4"-20	12	.375"	17/64"	43.00
<b>H5528-4</b>	1/4"-28	12	.375"	17/64"	65.00
<b>H5521-5</b>	5/16"-18	12	.469"	21/64"	41.00
<b>H5528-5</b>	5/16"-24	12	.469"	21/64"	65.00
<b>H5521-6</b>	3/8"-16	12	.562"	25/64"	44.00
<b>H5528-6</b>	3/8"-24	12	.562"	25/64"	65.00
<b>H5521-7</b>	7/16"-14	6	.656"	29/64"	44.00
<b>H5528-7</b>	7/16"-20	6	.656"	26/64"	65.00

### Inserts only, UNF-UNC

Set	Thread	Inserts	Length	
<b>HR1185-2</b>	8-32	12	.246"	20.00
<b>HR1185-3</b>	10-24	12	.285"	21.00
<b>HR1191-3</b>	10-32	12	.285"	21.00
<b>HR1185-1</b>	12-24	12	.324"	21.00
<b>HR1185-4</b>	1/4"-20	12	.375"	21.00
<b>HR1191-4</b>	1/4"-28	12	.375"	21.00
<b>HR1185-5</b>	5/16"-18	12	.469"	21.00
<b>HR1191-5</b>	5/16"-24	12	.469"	21.00
<b>HR1185-6</b>	3/8"-16	12	.562"	26.00
<b>HR1191-6</b>	3/8"-24	12	.562"	26.00
<b>HR1185-7</b>	7/16"-14	6	.656"	20.00
<b>HR1191-7</b>	7/16"-20	6	.656"	20.00

### Heli-Coil® Kits, Special

Kit	Thread	Inserts	Length	Use drill	
<b>H5540-4</b>	1/4"-24	12	.500"	17/64"	125.00
Gear cover screws, tappet guide screws, oil pump, etc.					
<b>H5540-6</b>	3/8"-20	6	.375"	25/64"	83.00
Brake drum wheel bolts 1936-1972.					
<b>H5540-7</b>	7/16"-16	6	.656"	29/64"	n.a.
Headbolts 1930-1973 Flatheads, 1936-1947 Knucklehead.					
<b>H5521-8-2</b>	1/2"-13	6	.375"	17/32"	75.00
Early Sportster engine and transmission.					
<b>H5528-8-2</b>	1/2"-20	6	.375"	33/64"	77.00
Primary plug, Sportster transmission.					
<b>H5528-10-2</b>	5/8"-18	6	.325"	41/64"	n.a.
Timing hole plug '31-up.					
<b>H5523-14</b>	M14-1.25	30	3/8"		165.00
Spark plugs 1948-1974 Panhead, Shovelhead, Sportster.					
<b>H5523-18</b>	M18-1.50	24	.500"		n.a.
Spark plugs 1930-1973 Flatheads, 1936-1947 Knucklehead.					
<b>H5407-2</b>	1/8"-27 NPT				170.00

### Inserts only, Special

Set	Thread	Inserts	Length	
<b>HR389-4</b>	1/4"-24	12	.500"	25.00
<b>HR389-6</b>	3/8"-20	6	.375"	16.00
<b>HR389-7-2</b>	7/16"-16	6	.656"	24.00
<b>HR1185-8-2</b>	1/2"-13	6	.375"	21.00
<b>HR1191-8-2</b>	1/2"-20	6	.375"	24.00
<b>HR1191-10-2</b>	5/8"-18	6	.325"	38.00
<b>HR512</b>	M14-1.25	6	3/8"	17.50
<b>HR514-6</b>	M18-1.50	6	.500"	24.00
<b>HR327-2</b>	1/8"-27 NPT	12		30.00

## Taps and Dies, Special Sizes

<b>tap160-001</b>	7/32"-32	tap	n.a.	Tank top filler strip 750cc '37-'73, tank mounting, all models '18-'35.
<b>M1421T</b>	1/4"-24	tap	7.00	This thread size has many applications on the older Harley's, including gear cover screws, tappet guide screws, oil pump nuts, etc.
<b>die160-005</b>	1/4"-24	die	n.a.	Linkert carburetor float lever pin (1196-11 and 1197-16) and bowl drain screw (1269-39), also oversize tank top screw.
<b>tap160-003</b>	1/4"-32	tap	n.a.	
<b>tap160-002</b>	1/4"-40	tap	n.a.	Linkert carburetor low and high speed needle. (in housing and in lever 1292-27)
<b>tap160-011</b>	9/32"-32	tap	n.a.	Bendix carburetors.
<b>tap160-809</b>	5/16"-32	tap	n.a.	Grease nipples, 1924 and later.
<b>tap160-807</b>	3/8"-20	tap	10.00	Wheel bolts 1936-1972.
<b>die160-007</b>	3/8"-20	die	n.a.	
<b>tap160-416</b>	7/16"-16	tap	n.a.	Head bolts, all Flatheads with headbolts 1930-1973, all Knuckleheads 1936-1947.
<b>die160-006</b>	7/16"-16	die	n.a.	
<b>tap160-012</b>	7/16"-24	tap	n.a.	Oversize cylinder head studs 750cc.
<b>tap160-010</b>	7/16"-28	tap	n.a.	750cc models '41-'73 clutch lever.
<b>C9407-1</b>	11/16"-16	tap	45.00	Oversize timing hole plug
<b>tap160-004</b>	3/4"-18	tap	n.a.	1940-1965 petrol valve nipple in tank.
<b>die160-008</b>	3/4"-20	die	n.a.	Linkert carburetor bowl lock nut ( 1268-29 )
<b>tap160-904</b>	13/16"-24	tap	n.a.	Handlebar end screw 750cc models '31-'39, all models '31-'35.
<b>tap160-905</b>	7/8"-24	tap	n.a.	Handlebar end screw ( 3330-36 ), 1936-1948.
<b>die160-009</b>	7/8"-24	die	n.a.	Fork stem 750cc models.



**Taps, high carbon steel, UNF/UNC**

M1111T	4-36	4.50	M1427T	5/16"-18	5.75
M1112T	4-40	4.50	M1429T	5/16"-24	5.75
M1118T	6-32	4.50	M1434T	3/8"-16	6.00
M1124T	8-32	4.50	M1436T	3/8"-24	6.00
M1128T	10-24	4.50	M1439T	7/16"-14	7.00
M1131T	10-32	4.50	M1440T	7/16"-20	7.00
M1132T	12-24	4.50	M1444T	1/2"-13	8.00
M1135T	14-20	4.50	M1445T	1/2"-20	8.00
M1412T	3/16"-24	4.50	M1448T	9/16"-12	11.00
M1420T	1/4"-20	4.50	M1449T	9/16"-18	11.00
M1423T	1/4"-28	4.50			

Please Check Website For Availability



**Dies, high carbon steel, UNF/UNC**

M6112DI	4-40	8.00	M6527DI	5/16"-18	8.00
M6118DI	6-32	8.00	M6529DI	5/16"-24	8.00
M6124DI	8-32	8.00	M6534DI	3/8"-16	8.00
M6128DI	10-24	8.00	M6536DI	3/8"-24	8.00
M6131DI	10-32	8.00	M6539DI	7/16"-14	8.00
M6132DI	12-24	8.00	M6540DI	7/16"-20	8.00
M6520DI	1/4"-20	8.00	M6544DI	1/2"-13	8.00
M6523DI	1/4"-28	8.00	M6545DI	1/2"-20	8.00



**Drills**

General purpose drills made of fine quality high speed steel.  
Hardened and tempered with extreme accuracy to retain sharpness and long life.



**Fractional Sizes**

M6104D	1/16"	2.00	M6112D	3/16"	3.50	M6120D	5/16"	7.00	M6128D	7/16"	12.00
M6105D	5/64"	2.00	M6113D	13/64"	3.50	M6121D	21/64"	9.00	M6129D	29/64"	15.00
M6106D	3/32"	2.00	M6114D	7/32"	3.50	M6122D	11/32"	9.00	M6130D	15/32"	15.00
M6107D	7/64"	2.00	M6115D	15/64"	5.00	M6123D	23/64"	8.75	M6131D	31/64"	17.00
M6108D	1/8"	3.00	M6116D	1/4"	5.00	M6124D	3/8"	9.50	M6132D	1/2"	17.00
M6109D	9/64"	3.00	M6117D	17/64"	5.00	M6125D	25/64"	9.50	M9134D	17/32"	32.50
M6110D	5/32"	3.00	M6118D	9/32"	5.00	M6126D	13/32"	9.50		( 1/2" shank )	
M6111D	11/64"	3.00	M6119D	19/64"	7.00	M6127D	27/64"	12.00			

**Letter Sizes**

M4101D	A	.234"	4.00	M4108D	H	.266	5.00	M4115D	O	.316	6.75	M4122D	V	.377	9.75
M4102D	B	.238	4.00	M4109D	I	.272	5.00	M4116D	P	.323	8.00	M4123D	W	.386	9.75
M4103D	C	.242	4.00	M4110D	J	.277	5.75	M4117D	Q	.332	8.00	M4124D	X	.397	11.50
M4104D	D	.246	4.00	M4111D	K	.281	5.75	M4118D	R	.339	8.00	M4125D	Y	.404	12.50
M4105D	E	.250	4.00	M4112D	L	.290	5.75	M4119D	S	.348	9.75	M4126D	Z	.413	14.50
M4106D	F	.257	5.00	M4113D	M	.295	6.75	M4120D	T	.358	9.75				
M4107D	G	.261	5.00	M4114D	N	.302	6.75	M4121D	U	.368	9.75				

**Number Sizes**

M8101D	1	.228	4.00	M8121D	21	.159	2.50	M8141D	41	.096	2.00	M8161D	61	.039	2.30
M8102D	2	.221	4.00	M8122D	22	.157	2.50	M8142D	42	.093	2.00	M8162D	62	.038	2.30
M8103D	3	.213	4.00	M8123D	23	.154	2.50	M8143D	43	.089	2.00	M8163D	63	.037	2.30
M8104D	4	.209	4.00	M8124D	24	.152	2.50	M8144D	44	.086	2.00	M8164D	64	.036	2.30
M8105D	5	.205	4.00	M8125D	25	.149	2.50	M8145D	45	.082	2.00	M8165D	65	.035	2.30
M8106D	6	.204	4.00	M8126D	26	.147	2.50	M8146D	46	.081	2.00	M8166D	66	.033	2.30
M8107D	7	.201	4.00	M8127D	27	.144	2.50	M8147D	47	.078	2.00	M8167D	67	.032	2.30
M8108D	8	.199	4.00	M8128D	28	.140	2.50	M8148D	48	.076	2.00	M8168D	68	.031	2.30
M8109D	9	.196	4.00	M8129D	29	.136	2.50	M8149D	49	.073	2.00	M8169D	69	.0292	2.30
M8110D	10	.193	4.00	M8130D	30	.128	2.50	M8150D	50	.070	2.00	M8170D	70	.028	2.30
M8111D	11	.191	4.00	M8131D	31	.120	2.00	M8151D	51	.067	2.00	M8171D	71	.026	2.30
M8112D	12	.189	3.50	M8132D	32	.116	2.00	M8152D	52	.063	2.00	M8172D	72	.025	2.30
M8113D	13	.185	3.50	M8133D	33	.113	2.00	M8153D	53	.059	2.00	M8173D	73	.025	2.30
M8114D	14	.182	3.50	M8134D	34	.111	2.00	M8154D	54	.055	2.00	M8174D	74	.0225	2.30
M8115D	15	.180	3.50	M8135D	35	.110	2.00	M8155D	55	.052	2.00	M8175D	75	.021	2.70
M8116D	16	.177	3.50	M8136D	36	.106	2.00	M8156D	56	.046	2.30	M8176D	76	.020	2.70
M8117D	17	.173	3.50	M8137D	37	.104	2.00	M8157D	57	.043	2.30	M8177D	77	.018	2.70
M8118D	18	.169	2.50	M8138D	38	.101	2.00	M8158D	58	.042	2.30	M8178D	78	.016	2.70
M8119D	19	.166	2.50	M8139D	39	.099	2.00	M8159D	59	.041	2.30	M8179D	79	.0145	2.70
M8120D	20	.161	2.50	M8140D	40	.098	2.00	M8160D	60	.040	2.30	M8180D	80	.0135	2.70

## Screws, Bolts, Nuts

### Round Head Screws

Listed by size.



<b>R016P</b>	6-32 x 3/8"	park	0.63
<b>R016Z</b>	6-32 x 3/8"	zinc	0.30
<b>R013Z</b>	6-32 x 7/8"	zinc	0.30
<b>R018P</b>	8-32 x 1/4"	park	0.56
<b>R018</b>	8-32 x 1/4"	cad	0.63
<b>R018C</b>	8-32 x 1/4"	chrome	0.75
<b>4940-35</b>	8-32 x 1/4"	zinc	1.50
<b>R019P</b>	8-32 x 5/16"	park	0.56
<b>R019</b>	8-32 x 5/16"	cad	0.63
<b>R027P</b>	8-32 x 5/8"	park	0.63
<b>R027</b>	8-32 x 5/8"	cad	0.69
<b>R026Z</b>	8-32 x 1"	zinc	0.50
<b>R030</b>	10-24 x 3/8"	cad	0.69
<b>R030P</b>	10-24 x 3/8"	park	0.63
<b>R030Z</b>	10-24 x 3/8"	zinc	0.30
<b>R030C</b>	10-24 x 3/8"	chrome	0.75
<b>R031P</b>	10-24 x 1/2"	park	0.63
<b>R031Z</b>	10-24 x 1/2"	zinc	0.30
<b>R031C</b>	10-24 x 1/2"	chrome	0.60
<b>R034</b>	10-32 x 1/4"	cad	0.50
<b>R034P</b>	10-32 x 1/4"	park	0.63
<b>R034Z</b>	10-32 x 1/4"	zinc	0.30
<b>R034C</b>	10-32 x 1/4"	chrome	0.60
<b>4941-35</b>	10-32 x 1/4"	zinc	1.00
<b>R041P</b>	12-24 x 3/8"	park	0.75
<b>R041Z</b>	12-24 x 3/8"	zinc	0.30
<b>R043P</b>	12-24 x 1/2"	park	0.60
<b>R043Z</b>	12-24 x 1/2"	zinc	0.30
<b>R4918-35P</b>	12-24 x 3/4"	park	1.00
<b>R4918-35</b>	12-24 x 3/4"	cad	1.06
<b>R4918-35C</b>	12-24 x 3/4"	chrome	1.50
<b>050</b>	1/4-24 x 7/16"	park	2.00
<b>R050P</b>	1/4-24 x 7/16"	park	1.38
<b>R050</b>	1/4-24 x 7/16"	cad	1.44
<b>R050C</b>	1/4-24 x 7/16"	chrome	1.63
<b>R050NI</b>	1/4-24 x 7/16"	Nickle	n.a.
<b>R051P</b>	1/4-24 x 1/2"	park	1.44
<b>R051</b>	1/4-24 x 1/2"	cad	1.50
<b>R051C</b>	1/4-24 x 1/2"	chrome	2.63
<b>052</b>	1/4-24 x 5/8"	park	2.00
<b>R052P</b>	1/4-24 x 5/8"	park	1.50
<b>R052</b>	1/4-24 x 5/8"	cad	1.56
<b>R052C</b>	1/4-24 x 5/8"	chrome	2.19
<b>053</b>	1/4-24 x 3/4"	park	3.00
<b>R053</b>	1/4-24 x 3/4"	cad	1.63
<b>R053P</b>	1/4-24 x 3/4"	park	1.56
<b>053Z</b>	1/4-24 x 3/4"	zinc	n.a.
<b>R053C</b>	1/4-24 x 3/4"	chrome	1.80
<b>R053NI</b>	1/4-24 x 3/4"	Nickle	n.a.

### Fillister Head Screws

Listed by size.



<b>R010P</b>	6-32 x 1/4"	zinc	0.44
<b>R010Z</b>	6-32 x 1/4"	zinc	0.30
<b>R011P</b>	6-32 x 3/8"	park	0.56
<b>R011Z</b>	6-32 x 3/8"	zinc	n.a.
<b>R011C</b>	6-32 x 3/8"	chrome	0.60
<b>R020</b>	8-32 x 1/4"	cad	0.63
<b>R020P</b>	8-32 x 1/4"	park	0.56
<b>R020Z</b>	8-32 x 1/4"	zinc	0.30
<b>R020C</b>	8-32 x 1/4"	chrome	0.60
<b>R021P</b>	8-32 x 3/8"	park	0.63
<b>R021</b>	8-32 x 3/8"	cad	0.63
<b>R021Z</b>	8-32 x 3/8"	zinc	0.30
<b>R021C</b>	8-32 x 3/8"	chrome	0.60
<b>R021NI</b>	8-32 x 3/8"	Nickle	0.88
<b>4918-42</b>	8-32 x 3/8"	green	0.40
<b>R024P</b>	8-32 x 3/4"	park	0.63
<b>R024Z</b>	8-32 x 3/4"	zinc	n.a.
<b>R024C</b>	8-32 x 3/4"	chrome	n.a.
<b>R026P</b>	8-32 x 1"	park	0.75
<b>R030AP</b>	10-24 x 3/8"	park	0.75
<b>R030A</b>	10-24 x 3/8"	cad	0.75
<b>R030AZ</b>	10-24 x 3/8"	zinc	0.30
<b>R032P</b>	10-24 x 1/2"	park	0.63
<b>R032</b>	10-24 x 1/2"	cad	0.69
<b>R032C</b>	10-24 x 1/2"	chrome	0.81
<b>R033P</b>	10-24 x 5/8"	park	0.63
<b>R033</b>	10-24 x 5/8"	cad	0.69
<b>R033Z</b>	10-24 x 5/8"	zinc	0.30
<b>R033C</b>	10-24 x 5/8"	chrome	0.85
<b>R033LP</b>	10-24 x 3/4"	park	0.75
<b>R033L</b>	10-24 x 3/4"	cad	0.75
<b>R033LC</b>	10-24 x 3/4"	chrome	0.90
<b>R033XL</b>	10-24 x 1"	cad	0.75
<b>R033XLC</b>	10-24 x 1"	chrome	0.90
<b>R035P</b>	10-32 x 3/8"	park	0.63
<b>R035</b>	10-32 x 3/8"	cad	0.69
<b>R035C</b>	10-32 x 3/8"	chrome	0.81
<b>R035NI</b>	10-32 x 3/8"	Nickle	0.65
<b>R036P</b>	10-32 x 1/2"	park	0.63
<b>R036</b>	10-32 x 1/2"	cad	0.69
<b>R036C</b>	10-32 x 1/2"	chrome	0.81
<b>R036NI</b>	10-32 x 1/2"	Nickle	n.a.
<b>R037P</b>	10-32 x 5/8"	park	0.63
<b>R037</b>	10-32 x 5/8"	cad	0.69
<b>R037C</b>	10-32 x 5/8"	chrome	1.13
<b>R037NI</b>	10-32 x 5/8"	Nickle	0.90
<b>R038P</b>	10-32 x 3/4"	park	0.63
<b>R038Z</b>	10-32 x 3/4"	zinc	0.50
<b>R038C</b>	10-32 x 3/4"	chrome	n.a.
<b>R038AP</b>	10-32 x 7/8"	park	0.63
<b>R038A</b>	10-32 x 7/8"	cad	0.50
<b>R1523-26</b>	10-32 x 1-1/4"	zinc	1.50
<b>R042P</b>	12-24 x 1/2"	park	0.63
<b>R042</b>	12-24 x 1/2"	cad	0.69
<b>R042C</b>	12-24 x 1/2"	chrome	0.88
<b>R042NI</b>	12-24 x 1/2"	Nickle	n.a.
<b>4967-42MD</b>	12-24 x 1/2" special		1.50
<b>R044Z</b>	12-24 x 7/8"	zinc	0.50
<b>R044C</b>	12-24 x 7/8"	chrome	n.a.

### Oval Countersunk Head Screws

Listed by size.



<b>2265W</b>	12-24 x 3/8"	zinc	1.00
<b>R048C</b>	12-24 x 3/8"	chrome	0.80
<b>R048AP</b>	12-24 x 1/2"	park	0.94
<b>R048A</b>	12-24 x 1/2"	cad	1.00
<b>R048AC</b>	12-24 x 1/2"	chrome	1.25
<b>R045</b>	12-24 x 21/32"	cad	1.38
<b>047</b>	12-24 x 13/16"	park	2.00
<b>R047P</b>	12-24 x 13/16"	park	1.38
<b>047cad</b>	12-24 x 13/16"	cad	2.00
<b>R047</b>	12-24 x 13/16"	cad	1.44
<b>R047C</b>	12-24 x 13/16"	chrome	1.69
<b>R1409-41MP</b>	12-24 x 2-1/4"	park	4.06
<b>R1409-41M</b>	12-24 x 2-1/4"	cad	4.06
<b>R057P</b>	1/4-24 x 13/16"	park	1.56
<b>R057</b>	1/4-24 x 13/16"	cad	1.56
<b>R057C</b>	1/4-24 x 13/16"	chrome	2.19
<b>R057NI</b>	1/4-24 x 13/16"	Nickle	1.75
<b>R2268-36P</b>	1/4-24 x 13/16"	park	1.25
<b>R2268-36</b>	1/4-24 x 13/16"	cad	1.44
<b>R2268-36C</b>	1/4-24 x 13/16"	chrome	1.88
<b>056</b>	1/4-24 x 1-1/8"	park	1.95
<b>R056P</b>	1/4-24 x 1-1/8"	park	1.88
<b>R056</b>	1/4-24 x 1-1/8"	cad	1.88
<b>R056C</b>	1/4-24 x 1-1/8"	chrome	2.31
<b>R056NI</b>	1/4-24 x 1-1/8"	Nickle	n.a.
<b>2341HW</b>	1/4-24 x 1-1/8"	zinc	2.00
<b>R1523-32P</b>	1/4-24 x 2"	park	3.75
<b>R1523-32</b>	1/4-24 x 2"	cad	3.75
<b>R1523-32C</b>	1/4-24 x 2"	chrome	5.00
<b>R1523-36P</b>	1/4-24 x 3"	park	4.06
<b>R1523-36</b>	1/4-24 x 3"	cad	4.06
<b>R1523-36C</b>	1/4-24 x 3"	chrome	5.63
<b>058</b>	5/16-18 x 13/16"	bare	3.00
<b>R3805-30AP</b>	5/16-24 x 19/32"	park	5.00
<b>R3805-30A</b>	5/16-24 x 19/32"	cad	5.00
<b>R3749-30P</b>	5/16-24 x 27/32"	park	6.00
<b>R3749-30</b>	5/16-24 x 27/32"	cad	6.00
<b>R3749-30C</b>	5/16-24 x 27/32"	chrome	7.00



Hex Head Bolts



Listed by size:

R4518-36	10-32 x 5/16"		cad	2.25
R4518-36C	10-32 x 5/16"		chrome	3.00
R1409-36P	12-24 x 3/8"		park	2.50
R1409-36	12-24 x 3/8"		cad	2.50
R054Z	1/4-20 x 1"	'grade'	zinc	0.40
R054C	1/4-20 x 1"		chrome	1.30
R692-41P	1/4-20 x 1-1/4"		park	1.88
R692-41	1/4-20 x 1-1/4"	'grade'	cad	1.88
R692-41C	1/4-20 x 1-1/4"		chrome	2.50
054A	1/4-24 x 1/2"		zinc	4.00
1123-29	1/4-24 x 5/8"		park	1.50
R1123-29	1/4-24 x 5/8"		cad	3.13
R1123-29C	1/4-24 x 5/8"		chrome	4.06
053E	1/4-24 x 3/4"		park	3.00
R053EP	1/4-24 x 3/4"		park	2.50
7223-34	1/4-24 x 3/4"	'1035 cp'	park	n.a.
R7223-34	1/4-24 x 3/4"		cad	2.50
R7223-34C	1/4-24 x 3/4"		chrome	3.75
R13332-25AP	1/4-24 x 1-5/8"		park	3.13
13332-25Acad	1/4-24 x 1-5/8"	'rockford'	cad	3.20
R13332-25A	1/4-24 x 1-5/8"		cad	3.13
R13332-25AC	1/4-24 x 1-5/8"		chrome	4.06
R1725-30P	1/4-28 x 7/16"		park	1.88
R054WZ	1/4-28 x 5/8"		zinc	0.50
R054WC	1/4-28 x 5/8"		chrome	1.30
R4017P	5/16-18 x 1"	'1038 cp'	park	3.50
443-37P	5/16-18 x 2-3/4"		park	n.a.
443-37	5/16-18 x 2-3/4"	'1035 cp'	cad	3.00
061	5/16-24 x 1/2"	'1035 cp'	park	2.50
R061P	5/16-24 x 1/2"	'1038 cp'	park	1.63
R061Z	5/16-24 x 1/2"	'grade'	zinc	0.35
R061	5/16-24 x 1/2"	'1038 cp'	cad	1.69
R061C	5/16-24 x 1/2"		chrome	1.40
060	5/16-24 x 9/16"		park	3.00
R064PS	5/16-24 x 3/4"		park	1.81
R064P	5/16-24 x 3/4"	'1038 cp'	park	1.81
R064Z	5/16-24 x 3/4"	'grade'	zinc	0.60
R064	5/16-24 x 3/4"	'1038 cp'	cad	1.88
R064C	5/16-24 x 3/4"		chrome	2.13
R064EP	5/16-24 x 7/8"	'1038 cp'	park	2.19
R066PS	5/16-24 x 1"	'1038 cp'	park	2.19
R066P	5/16-24 x 1"	'1038 cp'	park	2.19
R066Z	5/16-24 x 1"	'grade'	zinc	0.75
R066C	5/16-24 x 1"		chrome	1.30
R066AP	5/16-24 x 1-1/8"	'1038 cp'	park	2.31
R066A	5/16-24 x 1-1/8"	'1038 cp'	cad	2.31
R3748-26P	5/16-24 x 1-1/8"	'1038 cp'	park	2.50
R3748-26	5/16-24 x 1-1/8"	'grade'	cad	2.50
R3748-26C	5/16-24 x 1-1/8"		chrome	2.50
R066BP	5/16-24 x 1-3/8"	'1038 cp'	park	2.50
069	5/16-24 x 1-3/8"	dome head	park	1.50
R068PS	5/16-24 x 1-13/16"		park	2.63
R068P	5/16-24 x 1-13/16"	'1038 cp'	park	2.63
R068	5/16-24 x 1-13/16"	'1038 cp'	cad	2.81
R068C	5/16-24 x 1-13/16"		chrome	1.50
R3529-37PS	5/16-24 x 2-1/4"		park	3.13
R3529-37P	5/16-24 x 2-1/4"	'1038 cp'	park	3.13
R3529-37	5/16-24 x 2-1/4"	'1038 cp'	cad	3.25
R3529-37C	5/16-24 x 2-1/4"		chrome	3.75

About hex head markings:

'41 and earlier bolts were usually made by Harley and were not marked (plain head). War-time production saw the arrival of other suppliers, these could be marked "1035 cp" or "1038 cp".



'1035 cp'



'1038 cp'

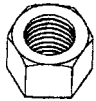


'grade'

Hex Head Bolts (continued)

R3529-36PS	5/16-24 x 2-5/8"		park	3.44
R3529-36P	5/16-24 x 2-5/8"	'1038 cp'	park	3.44
R3529-36C	5/16-24 x 2-5/8"		chrome	3.75
R070P	3/8-16 x 3/4"	'1035 cp'	park	3.38
R070Z	3/8-16 x 3/4"	'grade'	zinc	0.50
R070	3/8-16 x 3/4"	'1035 cp'	cad	3.44
R070C	3/8-16 x 3/4"		chrome	1.40
R072Z	3/8-16 x 7/8"	'grade'	zinc	0.50
R2263-36BP	3/8-16 x 1"		park	2.19
R2263-36B	3/8-16 x 1"	'grade'	cad	1.85
R2263-36BC	3/8-16 x 1"		chrome	2.25
071	3/8-16 x 1-3/16"		park	4.00
R071P	3/8-16 x 1-3/16"		park	3.75
R071	3/8-16 x 1-3/16"		cad	3.75
R071C	3/8-16 x 1-3/16"		chrome	4.69
073	3/8-16 x 1-3/8"		park	5.00
R073P	3/8-16 x 1-3/8"		park	3.75
R073	3/8-16 x 1-3/8"		cad	3.75
R073C	3/8-16 x 1-3/8"		chrome	4.69
R444-30P	3/8-16 x 3-1/4"		park	4.38
R444-30	3/8-16 x 3-1/4"		cad	4.38
R444-30C	3/8-16 x 3-1/4"		chrome	5.31
R074P	3/8-24 x 3/4"		park	2.50
R074Z	3/8-24 x 3/4"	'grade'	zinc	0.50
R074C	3/8-24 x 3/4"		chrome	1.40
R074NI	3/8-24 x 3/4"		Nickle	n.a.
2823-26	3/8-24 x 7/8"		park	7.00
R2823-26P	3/8-24 x 7/8"		park	5.00
R2823-26	3/8-24 x 7/8"		cad	5.00
R2823-26C	3/8-24 x 7/8"		chrome	6.75
4336W	3/8-24 x 1-1/8"	'grade'	zinc	2.50
2100-16	3/8-24 x 1-1/8"	dome head	park	8.00
R2100-16C	3/8-24 x 1-1/8"	dome head	chrome	9.38
R079P	3/8-24 x 1-1/8"		park	4.06
R079	3/8-24 x 1-1/8"		cad	4.19
R079C	3/8-24 x 1-1/8"		chrome	4.81
R078C	3/8-24 x 1-1/4"		chrome	1.50
R075	3/8-24 x 1-3/8"		cad	5.63
R075C	3/8-24 x 1-3/8"		chrome	6.25
R075P	3/8-24 x 1-3/8"		park	5.63
R437-26P	3/8-24 x 1-3/4"	'1035 cp'	park	6.25
R437-26	3/8-24 x 1-3/4"	'1035 cp'	cad	6.25
R437-26C	3/8-24 x 1-3/4"		chrome	7.50
R437-36P	3/8-24 x 2-5/8"		park	6.25
R437-36	3/8-24 x 2-5/8"	'1038 cp'	cad	6.25
R437-36C	3/8-24 x 2-5/8"		chrome	7.50
R438-36P	3/8-24 x 3-5/16"	'1038 cp'	park	7.50
R438-36	3/8-24 x 3-5/16"	'1038 cp'	cad	7.50
R438-36C	3/8-24 x 3-5/16"		chrome	8.75
2807-30	7/16-20 x 1"		park	5.00
2807-3035	7/16-20 x 1"	'1035 cp'	park	8.00
R080P	7/16-20 x 1-1/2"		park	6.25
R080Z	7/16-20 x 1-1/2"	'grade'	zinc	0.70
R080C	7/16-20 x 1-1/2"		chrome	1.70
R6033-30P	7/16-20 x 1-5/16"	'1035 cp'	park	5.13
R6033-30	7/16-20 x 1-5/16"	'1035 cp'	cad	5.13
R6033-30C	7/16-20 x 1-5/16"		chrome	6.88
14-30	7/16-20 x 1-3/4"		park	10.00

# Screws, Bolts, Nuts



### About nuts:

Early 1940's and earlier nuts were mostly manufactured by H-D and were machined from stock. These nuts are clearly different than the later style nuts. We have marked all the nuts on this page with a 'm' to indicate that they are machined.

'machined'  
(sharp edges)



not 'machined'  
(round edges)

## Nuts

### Listed by size:

<b>R0101P</b>	6-32 x 7/64" x 5/16"	park	0.50
<b>R0101B</b>	6-32 x 7/64" x 5/16"	brass	0.50
<b>R0101Z</b>	6-32 x 7/64" x 5/16"	zinc	0.40
<b>R0103P</b>	8-32 x 1/8" x 11/32"	park	0.50
<b>R0103</b>	8-32 x 1/8" x 11/32"	cad	0.50
<b>R0103Z</b>	8-32 x 1/8" x 11/32"	zinc	0.40
<b>R0104P</b>	10-24 x 1/8" x 3/8"	park	0.50
<b>R0104</b>	10-24 x 1/8" x 3/8"	cad	0.50
<b>R0104Z</b>	10-24 x 1/8" x 3/8"	zinc	0.40
<b>R0104C</b>	10-24 x 1/8" x 3/8"	chrome	0.75
<b>R0104FP</b>	10-24 x 3/8" flexlock	park	1.06
<b>R0104F</b>	10-24 x 3/8" flexlock	cad	1.06
<b>R0104FNI</b>	10-24 x 3/8" flexlock	Nickle	1.35
<b>4434-23</b>	10-24 x 1/4" x 3/8"	'm' cad	1.70
<b>0105cop</b>	10-32 x 1/8" x 5/16"	brass	0.70
<b>0105copm</b>	10-32 x 1/8" x 5/16"	'm' brass	1.30
<b>0105cad</b>	10-32 x 1/8" x 5/16"	cad	1.00
<b>R0105Z</b>	10-32 x 1/8" x 5/16"	zinc	0.30
<b>R0105C</b>	10-32 x 1/8" x 5/16"	chrome	0.50
<b>R0105AP</b>	10-32 x 1/8" x 3/8"	park	0.50
<b>R0105AZ</b>	10-32 x 1/8" x 3/8"	zinc	0.50
<b>R0105AC</b>	10-32 x 1/8" x 3/8"	chrome	n.a.
<b>R0106P</b>	12-24 x 5/32" x 7/16"	park	0.50
<b>R0106</b>	12-24 x 5/32" x 7/16"	cad	0.50
<b>R0106Z</b>	12-24 x 5/32" x 7/16"	zinc	0.30
<b>R0107C</b>	1/4-20 x 1/4" x 7/16"	chrome	1.13
<b>R0107P</b>	1/4-20 x 1/4" x 1/2"	'm' park	1.13
<b>R0107</b>	1/4-20 x 1/4" x 1/2"	'm' cad	1.19
<b>0108</b>	1/4-24 x 5/32" x 7/16"	'm' park	1.50
<b>R0108P</b>	1/4-24 x 5/32" x 7/16"	'm' park	1.13
<b>R0108M</b>	1/4-24 x 5/32" x 7/16"	'm' cad	1.19
<b>R0108C</b>	1/4-24 x 5/32" x 7/16"	chrome	0.88
<b>R0108NI</b>	1/4-24 x 5/32" x 7/16"	'm' Nickle	1.56
<b>0109</b>	1/4-24 x 7/32" x 7/16"	'm' park	2.00
<b>0109C</b>	1/4-24 x 7/32" x 7/16"	'm' chrome	2.30
<b>451-37</b>	1/4-24 x 1/4" x 1/2"	park	2.00
<b>R451-37P</b>	1/4-24 x 1/4" x 1/2"	'm' park	1.13
<b>R451-37</b>	1/4-24 x 1/4" x 1/2"	'm' cad	1.13
<b>R451-37C</b>	1/4-24 x 1/4" x 1/2"	'm' chrome	1.56
<b>R0111P</b>	5/16-18 x 17/64" x 1/2"	'm' park	1.13
<b>R0111Z</b>	5/16-18 x 17/64" x 1/2"	zinc	0.30
<b>R0111</b>	5/16-18 x 17/64" x 1/2"	'm' cad	1.19
<b>R0111C</b>	5/16-18 x 17/64" x 1/2"	chrome	1.00
<b>R0111NI</b>	5/16-18 x 17/64" x 1/2"	Nickle	1.00
<b>R0112P</b>	5/16-24 x 17/64" x 7/16"	'm' park	1.25
<b>R0112</b>	5/16-24 x 17/64" x 7/16"	'm' cad	1.38
<b>R0112NI</b>	5/16-24 x 17/64" x 7/16"	'm' Nickle	1.50
<b>R0117BP</b>	5/16-24 x 3/16" x 1/2"	park	1.25
<b>R0117B</b>	5/16-24 x 3/16" x 1/2"	cad	1.38
<b>R0117BC</b>	5/16-24 x 3/16" x 1/2"	chrome	1.50
<b>R0117P</b>	5/16-24 x 17/64" x 1/2"	'm' park	1.19
<b>R0117Z</b>	5/16-24 x 17/64" x 1/2"	zinc	0.30
<b>R0117M</b>	5/16-24 x 17/64" x 1/2"	'm' cad	1.25
<b>R0117C</b>	5/16-24 x 17/64" x 1/2"	chrome	0.94
<b>R0117NI</b>	5/16-24 x 17/64" x 1/2"	Nickle	1.35
<b>R7725</b>	5/16-24 x 1/2" flexloc	cad	1.88
<b>R7725C</b>	5/16-24 x 1/2" flexloc	chrome	1.94
<b>R0117A</b>	5/16-24 x 5/16" x 9/16"	'm' park	1.44
<b>R0120P</b>	3/8-16 x 5/16" x 9/16"	'm' park	1.44
<b>R0120</b>	3/8-16 x 5/16" x 9/16"	'm' cad	1.50
<b>R0120C</b>	3/8-16 x 5/16" x 9/16"	'm' chrome	1.69
<b>R0120NI</b>	3/8-16 x 5/16" x 9/16"	'm' Nickle	1.75
<b>R0129AP</b>	3/8-24 x 7/32" x 9/16"	park	1.25
<b>R0129A</b>	3/8-24 x 7/32" x 9/16"	cad	1.25
<b>R0129AC</b>	3/8-24 x 7/32" x 9/16"	chrome	1.69
<b>R0129C</b>	3/8-24 x 7/32" x 9/16"	chrome	1.75

## Nuts (continued)

<b>0129</b>	3/8-24 x 1/4" x 9/16"	'm' park	1.50
<b>0129.50pack</b>	Bag of 50 nuts	'm' park	45.00
<b>R0129P</b>	3/8-24 x 1/4" x 9/16"	'm' park	1.44
<b>R0129</b>	3/8-24 x 1/4" x 9/16"	'm' cad	1.56
<b>0129C</b>	3/8-24 x 1/4" x 9/16"	'm' chrome	2.50
<b>0129Z</b>	3/8-24 x 1/4" x 9/16"	'm' zinc	2.00
<b>R0127P</b>	3/8-24 x 21/64" x 9/16"	'm' park	1.50
<b>R0127Z</b>	3/8-24 x 21/64" x 9/16"	zinc	0.50
<b>R0127</b>	3/8-24 x 21/64" x 9/16"	'm' cad	1.63
<b>R0127C</b>	3/8-24 x 21/64" x 9/16"	chrome	1.06
<b>R0127NI</b>	3/8-24 x 21/64" x 9/16"	'm' Nickle	1.60
<b>R0123P</b>	3/8-24 x 1/2" x 9/16"	'm' park	1.50
<b>R0123</b>	3/8-24 x 1/2" x 9/16"	'm' cad	1.69
<b>R0123C</b>	3/8-24 x 1/2" x 9/16"	chrome	2.81
<b>R0123NI</b>	3/8-24 x 1/2" x 9/16"	'm' Nickle	1.90
<b>2633-30A</b>	3/8-24 x 7/32" x 5/8"	'm' bare	2.00
<b>R0125P</b>	3/8-24 x 1/4" x 5/8"	'm' park	1.50
<b>R2318-36AP</b>	3/8-24 x 21/64" x 5/8"	'm' park	1.63
<b>R2318-36A</b>	3/8-24 x 21/64" x 5/8"	'm' cad	1.69
<b>R2318-36AC</b>	3/8-24 x 21/64" x 5/8"	'm' chrome	1.88
<b>R0128P</b>	3/8-24 x 9/16" castle	park	2.00
<b>R0128</b>	3/8-24 x 9/16" castle	cad	2.13
<b>R0128C</b>	3/8-24 x 9/16" castle	chrome	2.31
<b>R0128NI</b>	3/8-24 x 9/16" castle	Nickle	2.00
<b>3910-37</b>	3/8-24 x 15/16" castle	park	3.00
<b>R3910-37P</b>	3/8-24 x 15/16" castle	park	3.44
<b>R3910-37</b>	3/8-24 x 15/16" castle	cad	3.44
<b>R3910-37C</b>	3/8-24 x 15/16" castle	chrome	4.38
<b>R7775P</b>	3/8-24 x 9/16" flexloc	park	2.81
<b>R7775</b>	3/8-24 x 9/16" flexloc	cad	2.81
<b>R0130P</b>	7/16-18 x 1/4" x 11/16"	'm' park	1.63
<b>R0130</b>	7/16-18 x 1/4" x 11/16"	'm' cad	2.06
<b>R0130NI</b>	7/16-18 x 1/4" x 11/16"	'm' Nickle	1.80
<b>R4166-28P</b>	7/16-20 x 1/4" x 9/16"	'm' park	1.75
<b>R4166-28</b>	7/16-20 x 1/4" x 9/16"	'm' cad	1.88
<b>R4166-28C</b>	7/16-20 x 1/4" x 9/16"	'm' chrome	2.50
<b>R0136P</b>	7/16-20 x 1/4" x 5/8"	'm' park	1.63
<b>R0136</b>	7/16-20 x 1/4" x 5/8"	'm' cad	1.69
<b>R0136C</b>	7/16-20 x 1/4" x 5/8"	'm' chrome	1.75
<b>R0133P</b>	7/16-20 x 3/8" x 5/8"	'm' park	1.63
<b>R0133</b>	7/16-20 x 3/8" x 5/8"	'm' cad	1.69
<b>R0133C</b>	7/16-20 x 3/8" x 5/8"	'm' chrome	1.88
<b>0134</b>	7/16-20 x 1/2" x 5/8"	'm' park	2.00
<b>R0134P</b>	7/16-20 x 1/2" x 5/8"	'm' park	1.69
<b>R0134</b>	7/16-20 x 1/2" x 5/8"	'm' cad	1.81
<b>R0134C</b>	7/16-20 x 1/2" x 5/8"	'm' chrome	3.13
<b>R0134NI</b>	7/16-20 x 1/2" x 5/8"	'm' Nickle	2.50
<b>0138</b>	7/16-20 x 5/8" castle	cad	3.20
<b>R7825P</b>	7/16-20 x 5/8" flexlock	park	3.75
<b>R7825</b>	7/16-20 x 5/8" flexlock	cad	3.94
<b>R7872</b>	7/16-20 x 5/8" red cap		
<b>R7872B</b>	7/16-20 x 5/8" black cap		2.00
<b>R7863</b>	7/16-20 x 3/8" x 3/4"	'm' cad	
<b>R7863C</b>	7/16-20 x 3/8" x 3/4"	'm' chrome	2.25
<b>R2644-30P</b>	7/16-20 x 7/16" x 3/4"	'm' park	2.50
<b>R2644-30</b>	7/16-20 x 7/16" x 3/4"	'm' cad	2.50
<b>R2644-30C</b>	7/16-20 x 7/16" x 3/4"	'm' chrome	3.44
<b>2641-30</b>	7/16-20 x 9/32" x 13/16"	'm' park	2.00
<b>2641-30C</b>	7/16-20 x 9/32" x 13/16"	'm' chrome	3.00
<b>R4079-26P</b>	7/16-20 x 13/32" x 13/16"	'm' park	5.94
<b>R4079-26</b>	7/16-20 x 13/32" x 13/16"	'm' cad	5.94
<b>0131</b>	7/16-24 x 1/4" x 3/4"	'm' park	2.00
<b>0135A</b>	1/2-13 x 1/2" x 7/8"	zinc	
<b>R2634-30AP</b>	1/2-20 x 3/8" x 3/4"	'm' park	2.50
<b>R2634-30A</b>	1/2-20 x 3/8" x 3/4"	'm' cad	2.50
<b>R2634-30AC</b>	1/2-20 x 3/8" x 3/4"	'm' chrome	3.44

**Nuts (continued)**

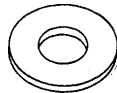
<b>R2634-36</b>	1/2-20 x 3/4 acorn nut	park	5.00
<b>R2634-36C</b>	1/2-20 x 3/4 acorn nut	chrome	5.63
<b>R2643-31</b>	1/2-20 x 5/16" x 13/16" 'm'	park	2.13
<b>R2643-31cad</b>	1/2-20 x 5/16" x 13/16" 'm'	cad	2.19
<b>R6032-36P</b>	1/2-20 x 7/16" x 7/8" 'm'	park	2.25
<b>7914</b>	1/2-20 x 7/16" x 7/8"	zinc	4.00
<b>7907</b>	1/2-20 x 7/16" x 7/8" 'm'	bare	3.00
<b>R4178-42P</b>	1/2-20 x 7/8" castle nut	park	6.25
<b>R4178-42</b>	1/2-20 x 7/8" castle nut	cad	7.50
<b>R4178-42C</b>	1/2-20 x 7/8" castle nut	chrome	9.38
<b>R7926</b>	1/2-20 x 9/32" x 1-3/16" 'm'		
<b>R6036-36BP</b>	9/16-18 x 11/32" x 15/16" 'm'	park	3.13
<b>R6036-36B</b>	9/16-18 x 11/32" x 15/16" 'm'	cad	3.31
<b>R3996-36P</b>	5/8-18 x 7/16" x 7/8" 'm'	park	3.13
<b>R3996-36</b>	5/8-18 x 7/16" x 7/8" 'm'	cad	3.38
<b>R3996-36C</b>	5/8-18 x 7/16" x 7/8" 'm'	chrome	5.00
<b>R7974P</b>	5/8-18 x 7/32" x 15/16" 'm'	park	
<b>R7974</b>	5/8-18 x 7/32" x 15/16" 'm'	cad	3.13
<b>364-29</b>	5/8-18 x 7/32" x 15/16" 'm'		8.00
<b>R364-29</b>	5/8-18 x 7/32" x 15/16" 'm'		6.50
<b>R2274-36</b>	5/8-18 x 7/32" x 1" 'm'		3.25

**Nuts (continued)**

<b>2050-12</b>	5/8-18 x 5/16" x 1-1/16" 'm'	park	7.00
<b>0142</b>	5/8 -24 x 7/32" x 7/8" 'm'	park	3.00
<b>R2050-30</b>	11/16-18 x 1" special	'm' park	13.75
<b>364-37</b>	11/16-18 x 7/32" x 1-1/16" 'm'		4.00
<b>R8011</b>	11/16-18 x 7/32" x 1-3/16" 'm'		5.50
<b>3929-44</b>	11/16-24 x 15/16" special	'm' park	6.00
<b>R3929-44P</b>	11/16-24 x 15/16" special	'm' park	8.75
<b>R3929-44</b>	11/16-24 x 15/16" special	'm' cad	8.75
<b>R3929-44C</b>	11/16-24 x 15/16" special	'm' chrome	11.25
<b>R8025</b>	3/4-16 x 11/16" x 1-1/16" 'm'		8.75
<b>2932-14</b>	3/4-18 x 7/16" x 1-1/16" 'm'	park	6.00
<b>R364-36</b>	3/4-18 x 9/32" x 1-3/16" 'm'		8.50
<b>R365-15</b>	13/16-18 x 1/4" x 1-3/16" 'm'		11.56
<b>R4005-35P</b>	13/16-24 x 19/64" x 1-3/16" 'm'	park	13.75
<b>R4005-35</b>	13/16-24 x 19/64" x 1-3/16" 'm'	cad	13.75
<b>R4005-35C</b>	13/16-24 x 19/64" x 1-3/16" 'm'	chrome	15.94
<b>R4184-30P</b>	13/16-24 x 3/8" x 1-3/16" 'm'	park	7.50
<b>R4184-30</b>	13/16-24 x 3/8" x 1-3/16" 'm'	cad	8.13
<b>R4184-30C</b>	13/16-24 x 3/8" x 1-3/16" 'm'	chrome	10.00

**Washers**

Listed by size:



<b>R6189W</b>	5/32" x 25/64" x .032"	brass	0.35
<b>R0202A</b>	3/16" x 21/64" x 1/64"	zinc	0.40
<b>R0201P</b>	3/16" x 7/16" x 1/32"	park	0.31
<b>R0201</b>	3/16" x 7/16" x 1/32"	zinc	0.38
<b>R0201A</b>	13/64" x 3/8" x 1/32"	brass	0.50
<b>R0205P</b>	7/32" x 1/2" x 1/16"	park	0.38
<b>0207</b>	1/4" x 7/16" x 1/32"	park	1.00
<b>R6099</b>	1/4" x 7/16" x 1/16"	zinc	0.40
<b>R6099C</b>	1/4" x 7/16" x 1/16"	chrome	0.44
<b>1417-42</b>	1/4" x 1/2" x 1/16"		0.80
<b>R0208AP</b>	1/4" x 9/16" x 1/16"	park	0.38
<b>R0207B</b>	1/4" x 9/16" x 1/32"	zinc	0.30
<b>R0208P</b>	1/4" x 5/8" x 1/16"	park	0.38
<b>R0208Z</b>	1/4" x 5/8" x 1/16"	zinc	0.30
<b>R0208C</b>	1/4" x 5/8" x 1/16"	chrome	0.50
<b>R0208NI</b>	1/4" x 5/8" x 1/16"	Nickle	0.50
<b>R0211P</b>	9/32" x 15/32" x 1/32"	park	0.63
<b>R0213P</b>	5/16" x 1/2" x 3/32"	park	0.50
<b>R0213NI</b>	5/16" x 1/2" x 3/32"	Nickle	0.63
<b>R0212P</b>	5/16" x 9/16" x 1/32"	park	0.50
<b>R0212</b>	5/16" x 9/16" x 1/32"	stainless	0.30
<b>R0212C</b>	5/16" x 9/16" x 1/32"	chrome	
<b>R6316WP</b>	5/16" x 5/8" x 1/16"	park	0.31
<b>R6316W</b>	5/16" x 5/8" x 1/16"	cad/zinc	0.38
<b>R6316WC</b>	5/16" x 5/8" x 1/16"	chrome	0.50
<b>R0214P</b>	5/16" x 11/16" x 1/16"	park	0.50
<b>R0214</b>	5/16" x 11/16" x 1/16"	cad	0.50
<b>R0214C</b>	5/16" x 11/16" x 1/16"	chrome	0.65
<b>6327B</b>	5/16" x 3/4" x 1/16"	park	2.00
<b>R6327B</b>	5/16" x 3/4" x 1/16"	zinc	0.30
<b>R0215P</b>	5/16" x 15/16" x 1/16"	park	0.63
<b>R0212AP</b>	21/64" x 15/16" x 3/16"	park	1.13
<b>R2788-30</b>	3/8" x 9/16" x 1/16"	park	1.00
<b>R6377</b>	3/8" x 5/8" x 1/32"	brass	0.50
<b>R0226P</b>	3/8" x 5/8" x 3/64"	park	0.63
<b>R0224AP</b>	3/8" x 23/32" x 1/16"	park	0.63

**Washers (continued)**

<b>R0224P</b>	3/8" x 13/16" x 1/16"	park	0.63
<b>R0224</b>	3/8" x 13/16" x 1/16"	cad	0.63
<b>R0224C</b>	3/8" x 13/16" x 1/16"	chrome	0.88
<b>R0224NI</b>	3/8" x 13/16" x 1/16"	Nickle	0.70
<b>R0225P</b>	3/8" x 13/16" x 7/64"	park	0.63
<b>R0223AP</b>	3/8" x 7/8" x 1/8"	park	1.13
<b>R0223A</b>	3/8" x 7/8" x 1/8"	cad	1.13
<b>R0223AC</b>	3/8" x 7/8" x 1/8"	chrome	1.38
<b>R0223P</b>	3/8" x 1" x 1/8"	park	1.13
<b>R0223</b>	3/8" x 1" x 1/8"	cad	1.13
<b>R0223C</b>	3/8" x 1" x 1/8"	chrome	1.50
<b>R13457-40P</b>	3/8" x 1-1/8" x 1/8"	park	1.25
<b>R13457-40cad</b>	3/8" x 1-1/8" x 1/8"	cad	1.38
<b>R13457-40C</b>	3/8" x 1-1/8" x 1/8"	chrome	3.13
<b>R0227AP</b>	25/64" x 13/16" x 1/8"	park	0.75
<b>3572-36C</b>	13/32" x 5/8" x 13/32"	park	0.60
<b>R3572-36C</b>	13/32" x 5/8" x 13/32"	brass	0.50
<b>2952-35</b>	13/32" x 11/16" x 1/4"	park	2.50
<b>0228</b>	7/16" x 21/32" x 1/16"	park	1.50
<b>R2242-36B</b>	7/16" x 3/4" x 1/64"	zinc	0.50
<b>R15-36P</b>	7/16" x 3/4" x 1/8"	park	0.75
<b>R15-36</b>	7/16" x 3/4" x 1/8"	cad	0.75
<b>R15-36C</b>	7/16" x 3/4" x 1/8"	chrome	1.06
<b>R0232P</b>	7/16" x 13/16" x 3/32"	park	0.88
<b>0232</b>	7/16" x 13/16" x 3/32"	cad	1.50
<b>R0232C</b>	7/16" x 13/16" x 3/32"	chrome	1.25
<b>0230</b>	7/16" x 15/16" x 1/8"	park	2.00
<b>R0230P</b>	7/16" x 15/16" x 1/8"	park	1.06
<b>R0230</b>	7/16" x 15/16" x 1/8"	cad	1.06
<b>R0230C</b>	7/16" x 15/16" x 1/8"	chrome	1.25
<b>R0234</b>	29/64" x 1-1/8" x .015"		0.75
<b>R0231P</b>	29/64" x 1-1/8" x 3/32"	park	1.25
<b>0231W</b>	29/64" x 1-1/8" x 3/32"	cad	
<b>R1643-29</b>	15/32" x 3/4" x .033"		0.80
<b>R1643-29S</b>	15/32" x 3/4" x .070"		0.80
<b>1643-30</b>	15/32" x 3/4" x .072"	park	2.00
<b>R13458-36P</b>	1/2" x 1-1/8" x 3/32"	park	1.25
<b>R13458-36cad</b>	1/2" x 1-1/8" x 3/32"	cad	1.38
<b>R13458-36C</b>	1/2" x 1-1/8" x 3/32"	chrome	1.75
<b>R6581</b>	17/32" x 15/16" x .025"	brass	0.95

## Screws, Bolts, Nuts

### Lockwashers

Listed by size:

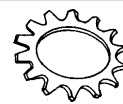


<b>R0250</b>	No. 4 x 17/64" x 1/32"	zinc	0.20
<b>R0251</b>	No. 6 x 15/64" x 1/32"	zinc	0.20
<b>R0252P</b>	No. 8 x 5/32" x 1/32"	park	0.25
<b>R0252</b>	No. 8 x 5/32" x 1/32"	zinc	0.20
<b>R0252C</b>	No. 8 x 5/32" x 1/32"	chrome	0.38
<b>R0254P</b>	No. 10 x 21/64" x 3/64"	park	0.25
<b>R0254</b>	No. 10 x 21/64" x 3/64"	zinc	0.20
<b>R0254C</b>	No. 10 x 21/64" x 3/64"	chrome	0.38
<b>0253</b>	3/16" x 3/8" x 3/64"	park	0.25
<b>R0255P</b>	No. 12 x 11/32" x 3/64"	park	0.25
<b>R0255</b>	No. 12 x 11/32" x 3/64"	zinc	0.20
<b>0255A</b>	7/32" x 15/32" x 3/64"	park	1.30
<b>R0256P</b>	1/4" x 1/2" x 1/16"	park	0.25
<b>R0256</b>	1/4" x 1/2" x 1/16"	zinc	0.25
<b>R0256C</b>	1/4" x 1/2" x 1/16"	chrome	0.38
<b>R0259P</b>	5/16" x 9/16" x 1/16"	park	0.25
<b>R0259</b>	5/16" x 9/16" x 1/16"	zinc	0.25
<b>R0259C</b>	5/16" x 9/16" x 1/16"	chrome	0.38
<b>R0261B</b>	3/8" x 5/8" x 3/32"	black	0.20
<b>R0261P</b>	3/8" x 5/8" x 3/32"	park	0.25
<b>R0261</b>	3/8" x 5/8" x 1/16"	zinc	0.25
<b>R0261C</b>	3/8" x 5/8" x 3/32"	chrome	0.38
<b>R0262P</b>	3/8" x 13/16" x 1/16"	park	4.38
<b>R0265P</b>	7/16" x 11/16" x 3/32"	park	0.69
<b>R0265</b>	7/16" x 11/16" x 3/32"	zinc	0.75
<b>R0265C</b>	7/16" x 11/16" x 3/32"	chrome	0.94
<b>R0265AP</b>	7/16" x 3/4" x 3/32"	park	1.06
<b>R0265A</b>	7/16" x 3/4" x 3/32"	zinc	0.30
<b>R0265AC</b>	7/16" x 3/4" x 3/32"	chrome	0.69
<b>R0266P</b>	7/16" x 3/4" x 1/8"	park	0.75
<b>R0266</b>	7/16" x 3/4" x 1/8"	cad	0.75
<b>R0266C</b>	7/16" x 3/4" x 1/8"	chrome	0.85
<b>0266</b>	7/16" x 13/16" x 3/32"	park	1.50
<b>R0269P</b>	9/16" x 15/16" x 3/32"	park	1.50
<b>R0269</b>	9/16" x 15/16" x 3/32"	zinc	0.30
<b>R7043</b>	3/4" x 1-1/4" x 3/16"	zinc	0.50

0253, 0255A, 0262, 0266 are special lockwashers (larger o.d.)

### Special Lockwashers

Listed by size:



<b>R7206W</b>	No. 4	external tooth	zinc	0.20
<b>R0351</b>	No. 6	internal tooth	zinc	0.20
<b>R7143</b>	No. 8	external tooth	zinc	0.30
<b>R0352</b>	No. 8	internal tooth	zinc	0.20
<b>R0353</b>	No. 8	external-internal	zinc	0.25
<b>R0354</b>	No. 10	external tooth	zinc	0.20
<b>R0356</b>	No. 10	internal tooth	zinc	0.20
<b>R7121</b>	No. 12	internal tooth	zinc	0.20
<b>R0359</b>	1/4"	internal tooth	zinc	0.20
<b>R0363P</b>	1/4"	external tooth	park	0.38
<b>R0363</b>	1/4"	external tooth	zinc	0.20
<b>R7229W</b>	1/4"	external-internal	zinc	0.35
<b>R0365P</b>	1/4"	countersunk	park	0.38
<b>R0365</b>	1/4"	countersunk	zinc	0.25
<b>R0360</b>	5/16"	internal tooth	zinc	0.20
<b>R7232</b>	5/16"	external tooth	zinc	0.20
<b>R0370P</b>	5/16"	countersunk	park	0.50
<b>R0370</b>	5/16"	countersunk	zinc	0.30
<b>R7042</b>	5/16"	high collar	zinc	0.30
<b>R0374</b>	3/8"	internal tooth	zinc	0.20
<b>R7145W</b>	3/8"	external tooth	zinc	0.25
<b>R6027W</b>	3/8"	countersunk	zinc	0.35
<b>R7045</b>	3/8"	high collar	zinc	0.30
<b>R0362</b>	7/16"	internal tooth	zinc	0.20
<b>R7129</b>	1/2"	internal tooth	zinc	0.25
<b>R0390</b>	1/2"	external tooth	zinc	0.25
<b>R7242</b>	5/8"	external tooth	zinc	0.30
<b>R7142</b>	3/4"	internal tooth	zinc	0.30
<b>R7144</b>	3/4"	external tooth	zinc	0.30

### Steel Balls



<b>R1297-26</b>	5/32" steel ball	0.35
<b>R0279</b>	3/16" steel ball	
<b>R2472-41B</b>	7/32" steel ball	0.20
<b>R0280</b>	1/4" steel ball	0.20
<b>R0282</b>	5/16" steel ball	0.30
<b>R704-36</b>	3/8" steel ball	0.40
<b>R2251-36</b>	1/2" steel ball	1.00

### Grease Fittings



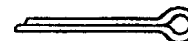
<b>R0340</b>	Alemite fitting	'24-'37	Nickle	3.75
<b>R0344</b>	Grease nipple	straight	zinc	2.63
<b>R0344C</b>	Grease nipple	straight	chrome	2.75
<b>R0344P</b>	Grease nipple	straight	park	2.63
<b>0345</b>	Grease nipple	67.5° angle	cad	3.00
<b>R0347</b>	Grease nipple	90° angle	zinc	2.00

### Rivets



<b>1647-31A</b>	1/8" x 9/32"	brass	tubular	0.50
<b>4046-31</b>	9/64" x 9/32"	brass	tubular	0.30
<b>R4033-35</b>	5/32" x 1/2"	steel	round head	0.25
<b>2485-41A</b>	3/16" x 7/32"	brass	countersunk	0.20
<b>R2485-41</b>	3/16" x 9/32"	brass	countersunk	n.a.
<b>2485-40</b>	3/16" x 3/8"	brass	countersunk	0.20
<b>0306</b>	3/16" x 5/16"	steel	round head	0.50
<b>R0308</b>	3/16" x 9/16"	steel	round head	0.35
<b>0314</b>	3/16" x 3/8"	steel	truss head	1.00

### Cotter Pins



<b>R551</b>	3/64" x 9/16"	zinc	0.20
<b>R0290P</b>	1/16" x 1/2"	park	0.19
<b>R0290</b>	1/16" x 1/2"	zinc	0.15
<b>R0296</b>	1/16" x 5/8"	zinc	0.15
<b>R0297</b>	1/16" x 3/4"	zinc	0.15
<b>R0291P</b>	3/32" x 5/8"	park	0.19
<b>R0291</b>	3/32" x 5/8"	zinc	0.15
<b>R0298</b>	3/32" x 7/8"	zinc	0.15
<b>513</b>	3/32" x 15/16"	zinc	0.60
<b>R0292P</b>	3/32" x 1"	park	0.25
<b>R0292</b>	3/32" x 1"	zinc	0.15
<b>R0293</b>	1/8" x 5/8"	zinc	0.15
<b>R0294</b>	1/8" x 1-1/4"	zinc	0.20
<b>R511</b>	9/64" x 1-1/4"	zinc	0.25
<b>R0295</b>	3/16" x 1"	zinc	0.25





**Round head machine screw, zinc**

H01044005	4-40 x 1/4"	0.30
H01044007	4-40 x 3/8"	0.30
H01044010	4-40 x 1/2"	0.30
H01044012	4-40 x 5/8"	0.30
H01044015	4-40 x 3/4"	0.30
H01054005	5-40 x 1/4"	0.30
H01054010	5-40 x 1/2"	0.30
H01063205	6-32 x 1/4"	0.30
H01063207	6-32 x 3/8"	0.30
H01063210	6-32 x 1/2"	0.30
H01063212	6-32 x 5/8"	0.30
H01063215	6-32 x 3/4"	0.30
H01063220	6-32 x 1"	0.30
H01063225	6-32 x 1 1/4"	0.30
H01063230	6-32 x 1 1/2"	0.30
H01083205	8-32 x 1/4"	0.30
H01083207	8-32 x 3/8"	0.30
H01083210	8-32 x 1/2"	0.30
H01083212	8-32 x 5/8"	0.30
H01083215	8-32 x 3/4"	0.30
H01083217	8-32 x 7/8"	0.30
H01083220	8-32 x 1"	0.50
H01083225	8-32 x 1 1/4"	0.50
H01083230	8-32 x 1 1/2"	0.50
H01102407	10-24 x 3/8"	0.30
H01102410	10-24 x 1/2"	0.30
H01102412	10-24 x 5/8"	0.30
H01102415	10-24 x 3/4"	0.30
H01102420	10-24 x 1"	0.50
H01102425	10-24 x 1 1/4"	0.50
H01102430	10-24 x 1 1/2"	0.50
H01102435	10-24 x 1 3/4"	0.50
H01102440	10-24 x 2"	0.50
H01103207	10-32 x 3/8"	0.30
H01103210	10-32 x 1/2"	0.30
H01103212	10-32 x 5/8"	0.30
H01103215	10-32 x 3/4"	0.30
H01103220	10-32 x 1"	0.50
H01103225	10-32 x 1 1/4"	0.50
H01103230	10-32 x 1 1/2"	0.50
H01103235	10-32 x 1 3/4"	0.50
H01103240	10-32 x 2"	0.50
H01122407	12-24 x 3/8"	0.30
H01122410	12-24 x 1/2"	0.30
H01122412	12-24 x 5/8"	0.30
H01122415	12-24 x 3/4"	0.30
H01122420	12-24 x 1"	0.50

**Flat head machine screw, zinc**

H02044007	4-40 x 3/8"	0.30
H02044010	4-40 x 1/2"	0.30
H02044012	4-40 x 5/8"	0.30
H02044015	4-40 x 3/4"	0.30
H02063207	6-32 x 3/8"	0.30
H02063210	6-32 x 1/2"	0.30
H02063212	6-32 x 5/8"	0.30
H02063215	6-32 x 3/4"	0.30
H02063220	6-32 x 1"	0.30
H02083207	8-32 x 3/8"	0.30
H02083210	8-32 x 1/2"	0.30
H02083212	8-32 x 5/8"	0.30
H02083215	8-32 x 3/4"	0.30
H02083220	8-32 x 1"	0.30
H02102410	10-24 x 1/2"	0.30
H02102412	10-24 x 5/8"	0.30
H02102415	10-24 x 3/4"	0.30
H02102420	10-24 x 1"	0.30
H02102425	10-24 x 1 1/4"	0.30
H02103210	10-32 x 1/2"	0.30
H02103212	10-32 x 5/8"	0.30
H02103215	10-32 x 3/4"	0.30
H02103220	10-32 x 1"	0.30
H02103225	10-32 x 1 1/4"	0.30

**Flat head sheet metal screws, zinc**

H03040007	4 x 3/8"	0.30
H03040010	4 x 1/2"	0.30
H03040012	4 x 5/8"	0.30
H03060007	6 x 3/8"	0.30
H03060010	6 x 1/2"	0.30
H03060012	6 x 5/8"	0.30
H03060015	6 x 3/4"	0.30
H03060020	6 x 1"	0.30
H03080007	8 x 3/8"	0.30
H03080010	8 x 1/2"	0.30
H03080012	8 x 5/8"	0.30
H03080015	8 x 3/4"	0.30
H03080020	8 x 1"	0.30
H03100010	10 x 1/2"	0.30
H03100015	10 x 3/4"	0.30
H03100020	10 x 1"	0.30
H03100025	10 x 1 1/4"	0.30
H03120010	12 x 1/2"	0.30
H03120015	12 x 3/4"	0.30
H03120020	12 x 1"	0.30
H03140010	14 x 1/2"	0.30
H03140015	14 x 3/4"	0.30
H03140020	14 x 1"	0.30



**Pan head sheet metal screws, zinc**

H04040007	4 x 3/8"	0.30
H04040010	4 x 1/2"	0.30
H04040012	4 x 5/8"	0.30
H04060007	6 x 3/8"	0.30
H04060010	6 x 1/2"	0.30
H04060012	6 x 5/8"	0.30
H04060015	6 x 3/4"	0.30
H04060020	6 x 1"	0.30
H04080007	8 x 3/8"	0.30
H04080010	8 x 1/2"	0.30
H04080012	8 x 5/8"	0.30
H04080015	8 x 3/4"	0.30
H04080020	8 x 1"	0.30
H04100010	10 x 1/2"	0.30
H04100012	10 x 5/8"	0.30
H04100015	10 x 3/4"	0.30
H04100020	10 x 1"	0.30
H04100025	10 x 1 1/4"	0.30
H04120010	12 x 1/2"	0.30
H04120015	12 x 3/4"	0.30
H04120020	12 x 1"	0.30
H04140010	14 x 1/2"	0.30
H04140015	14 x 3/4"	0.30
H04140020	14 x 1"	0.30



**Hex head bolt, stainless steel**

H06142012	1/4-20 x 5/8"	1.50
H06142015	1/4-20 x 3/4"	1.50
H06142017	1/4-20 x 7/8"	1.50
H06142020	1/4-20 x 1"	1.50
H06142025	1/4-20 x 1-1/4"	1.70
H06142030	1/4-20 x 1-1/2"	1.70
H06142035	1/4-20 x 1-3/4"	1.70
H06142040	1/4-20 x 2"	1.70
H06142045	1/4-20 x 2-1/4"	1.70
H06142812	1/4-28 x 5/8"	1.50
H06142815	1/4-28 x 3/4"	1.50
H06142817	1/4-28 x 7/8"	1.50
H06142820	1/4-28 x 1"	1.50
H06142825	1/4-28 x 1-1/4"	1.70
H06142830	1/4-28 x 1-1/2"	1.70
H06142835	1/4-28 x 1-3/4"	1.70
H06142840	1/4-28 x 2"	1.70

H06142845	1/4-28 x 2-1/4"	1.70
H06161812	5/16-18 x 5/8"	1.50
H06161815	5/16-18 x 3/4"	1.50
H06161817	5/16-18 x 7/8"	1.50
H06161820	5/16-18 x 1"	1.50
H06161825	5/16-18 x 1-1/4"	1.70
H06161830	5/16-18 x 1-1/2"	1.70
H06161835	5/16-18 x 1-3/4"	1.70
H06161840	5/16-18 x 2"	1.70
H06161845	5/16-18 x 2-1/4"	1.70
H06162412	5/16-24 x 5/8"	1.50
H06162415	5/16-24 x 3/4"	1.50
H06162417	5/16-24 x 7/8"	1.50
H06162420	5/16-24 x 1"	1.50
H06162425	5/16-24 x 1-1/4"	1.70
H06162430	5/16-24 x 1-1/2"	1.70
H06162435	5/16-24 x 1-3/4"	1.70

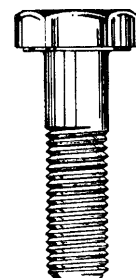
H06162440	5/16-24 x 2"	1.70
H06162445	5/16-24 x 2-1/4"	1.70
H06181615	3/8-16 x 3/4"	1.50
H06181620	3/8-16 x 1"	1.50
H06181625	3/8-16 x 1-1/4"	1.70
H06181630	3/8-16 x 1-1/2"	1.70
H06181635	3/8-16 x 1-3/4"	1.70
H06181640	3/8-16 x 2"	1.70
H06182415	3/8-24 x 3/4"	1.50
H06182420	3/8-24 x 1"	1.50
H06182425	3/8-24 x 1-1/4"	1.70
H06182430	3/8-24 x 1-1/2"	1.70
H06182435	3/8-24 x 1-3/4"	1.70
H06182440	3/8-24 x 2"	1.70



## Standard Hardware

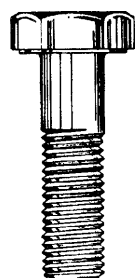
### Hex head bolt, zinc

H07142010	1/4-20 x 1/2"	0.50	H07162417	5/16-24 x 7/8"	0.50	H07182470	3/8-24 x 3-1/2"	0.80
H07142012	1/4-20 x 5/8"	0.50	H07162420	5/16-24 x 1"	0.50	H07182475	3/8-24 x 3-3/4"	0.80
H07142015	1/4-20 x 3/4"	0.50	H07162425	5/16-24 x 1-1/4"	0.50	H07201415	7/16-14 x 3/4"	1.30
H07142017	1/4-20 x 7/8"	0.50	H07162430	5/16-24 x 1-1/2"	0.50	H07201420	7/16-14 x 1"	1.30
H07142020	1/4-20 x 1"	0.50	H07162435	5/16-24 x 1-3/4"	0.70	H07201425	7/16-14 x 1-1/4"	1.30
H07142025	1/4-20 x 1-1/4"	0.50	H07162440	5/16-24 x 2"	0.70	H07201430	7/16-14 x 1-1/2"	1.30
H07142030	1/4-20 x 1-1/2"	0.50	H07162445	5/16-24 x 2-1/4"	0.70	H07201435	7/16-14 x 1-3/4"	1.60
H07142035	1/4-20 x 1-3/4"	0.70	H07162450	5/16-24 x 2-1/2"	0.70	H07201440	7/16-14 x 2"	1.60
H07142040	1/4-20 x 2"	0.70	H07162455	5/16-24 x 2-3/4"	0.70	H07201445	7/16-14 x 2-1/4"	1.60
H07142045	1/4-20 x 2-1/4"	0.70	H07181610	3/8-16 x 1/2"	0.70	H07201450	7/16-14 x 2-1/2"	1.60
H07142050	1/4-20 x 2-1/2"	0.70	H07181612	3/8-16 x 5/8"	0.70	H07201455	7/16-14 x 2-3/4"	1.60
H07142055	1/4-20 x 2-3/4"	0.70	H07181615	3/8-16 x 3/4"	0.70	H07202015	7/16-20 x 3/4"	1.30
H07142810	1/4-28 x 1/2"	0.50	H07181617	3/8-16 x 7/8"	0.70	H07202020	7/16-20 x 1"	1.30
H07142812	1/4-28 x 5/8"	0.50	H07181620	3/8-16 x 1"	0.80	H07202025	7/16-20 x 1-1/4"	1.30
H07142815	1/4-28 x 3/4"	0.50	H07181625	3/8-16 x 1-1/4"	0.80	H07202030	7/16-20 x 1-1/2"	1.30
H07142817	1/4-28 x 7/8"	0.50	H07181630	3/8-16 x 1-1/2"	0.80	H07202035	7/16-20 x 1-3/4"	1.60
H07142820	1/4-28 x 1"	0.50	H07181635	3/8-16 x 1-3/4"	0.80	H07202040	7/16-20 x 2"	1.60
H07142825	1/4-28 x 1-1/4"	0.50	H07181640	3/8-16 x 2"	0.80	H07202045	7/16-20 x 2-1/4"	1.60
H07142830	1/4-28 x 1-1/2"	0.50	H07181645	3/8-16 x 2-1/4"	0.80	H07202050	7/16-20 x 2-1/2"	1.60
H07142835	1/4-28 x 1-3/4"	0.70	H07181650	3/8-16 x 2-1/2"	0.80	H07202055	7/16-20 x 2-3/4"	1.60
H07142840	1/4-28 x 2"	0.70	H07181655	3/8-16 x 2-3/4"	0.80	H07202060	7/16-20 x 3"	1.60
H07142845	1/4-28 x 2-1/4"	0.70	H07181660	3/8-16 x 3"	0.80	H07221315	1/2-13 x 3/4"	1.30
H07142850	1/4-28 x 2-1/2"	0.70	H07181665	3/8-16 x 3-1/4"	0.80	H07221320	1/2-13 x 1"	1.30
H07142855	1/4-28 x 2-3/4"	0.70	H07181670	3/8-16 x 3-1/2"	0.80	H07221325	1/2-13 x 1-1/4"	1.30
H07161812	5/16-18 x 5/8"	0.50	H07181675	3/8-16 x 3-3/4"	0.80	H07221330	1/2-13 x 1-1/2"	1.30
H07161815	5/16-18 x 3/4"	0.50	H07182410	3/8-24 x 1/2"	0.70	H07221335	1/2-13 x 1-3/4"	1.60
H07161817	5/16-18 x 7/8"	0.50	H07182412	3/8-24 x 5/8"	0.70	H07221340	1/2-13 x 2"	1.60
H07161820	5/16-18 x 1"	0.50	H07182415	3/8-24 x 3/4"	0.70	H07221345	1/2-13 x 2-1/4"	1.60
H07161825	5/16-18 x 1-1/4"	0.50	H07182417	3/8-24 x 7/8"	0.70	H07221350	1/2-13 x 2-1/2"	1.60
H07161830	5/16-18 x 1-1/2"	0.50	H07182420	3/8-24 x 1"	0.80	H07221355	1/2-13 x 2-3/4"	1.60
H07161835	5/16-18 x 1-3/4"	0.70	H07182425	3/8-24 x 1-1/4"	0.80	H07221360	1/2-13 x 3"	1.60
H07161840	5/16-18 x 2"	0.70	H07182430	3/8-24 x 1-1/2"	0.80	H07221365	1/2-13 x 3-1/4"	1.60
H07161845	5/16-18 x 2-1/4"	0.70	H07182435	3/8-24 x 1-3/4"	0.80	H07222020	1/2-20 x 1"	1.30
H07161850	5/16-18 x 2-1/2"	0.70	H07182440	3/8-24 x 2"	0.80	H07222025	1/2-20 x 1-1/4"	1.30
H07161855	5/16-18 x 2-3/4"	0.70	H07182445	3/8-24 x 2-1/4"	0.80	H07222030	1/2-20 x 1-1/2"	1.30
H07161860	5/16-18 x 3"	0.70	H07182450	3/8-24 x 2-1/2"	0.80	H07222035	1/2-20 x 1-3/4"	1.60
H07162410	5/16-24 x 1/2"	0.50	H07182455	3/8-24 x 2-3/4"	0.80	H07222040	1/2-20 x 2"	1.60
H07162412	5/16-24 x 5/8"	0.50	H07182460	3/8-24 x 3"	0.80	H07222045	1/2-20 x 2 1/4"	1.60
H07162415	5/16-24 x 3/4"	0.50	H07182465	3/8-24 x 3-1/4"	0.80	H07222050	1/2-20 x 2 1/2"	1.60
						H07222055	1/2-20 x 2 3/4"	1.60
						H07222060	1/2-20 x 3"	1.60



### Hex head bolt, chrome plated

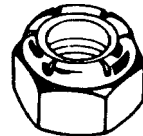
H05142012	1/4-20 x 5/8"	1.70	H05161845	5/16-18 x 2 1/4"	2.00	H05201430	7/16-14 x 1-1/2"	2.20
H05142015	1/4-20 x 3/4"	1.70	H05162410	5/16-24 x 1/2"	1.70	H05201435	7/16-14 x 1-3/4"	2.20
H05142017	1/4-20 x 7/8"	1.70	H05162412	5/16-24 x 5/8"	1.70	H05201440	7/16-14 x 2"	2.20
H05142020	1/4-20 x 1"	1.70	H05162415	5/16-24 x 3/4"	1.70	H05202020	7/16-20 x 1"	2.00
H05142025	1/4-20 x 1-1/4"	2.00	H05162417	5/16-24 x 7/8"	1.70	H05202025	7/16-20 x 1-1/4"	2.00
H05142030	1/4-20 x 1-1/2"	2.00	H05162420	5/16-24 x 1"	1.70	H05202030	7/16-20 x 1-1/2"	2.20
H05142035	1/4-20 x 1-3/4"	2.00	H05162425	5/16-24 x 1-1/4"	2.00	H05202035	7/16-20 x 1-3/4"	2.20
H05142040	1/4-20 x 2"	2.00	H05162430	5/16-24 x 1-1/2"	2.00	H05202040	7/16-20 x 2"	2.20
H05142045	1/4-20 x 2-1/4"	2.00	H05162435	5/16-24 x 1-3/4"	2.00	H05221315	1/2-13 x 3/4"	2.00
H05142812	1/4-28 x 5/8"	1.70	H05162440	5/16-24 x 2"	2.00	H05221325	1/2-13 x 1-1/4"	2.00
H05142815	1/4-28 x 3/4"	1.70	H05162445	5/16-24 x 2-1/4"	2.00	H05221330	1/2-13 x 1-1/2"	2.20
H05142817	1/4-28 x 7/8"	1.70	H05181615	3/8-16 x 3/4"	1.70	H05221340	1/2-13 x 2"	2.20
H05142820	1/4-28 x 1"	1.70	H05181620	3/8-16 x 1"	1.70	H05221345	1/2-13 x 2-1/4"	2.20
H05142825	1/4-28 x 1-1/4"	2.00	H05181625	3/8-16 x 1-1/4"	2.00	H05221350	1/2-13 x 2-1/2"	2.20
H05142830	1/4-28 x 1-1/2"	2.00	H05181630	3/8-16 x 1-1/2"	2.00	H05221355	1/2-13 x 2-3/4"	2.20
H05142835	1/4-28 x 1-3/4"	2.00	H05181635	3/8-16 x 1-3/4"	2.00	H05222020	1/2-20 x 1"	2.00
H05142840	1/4-28 x 2"	2.00	H05181640	3/8-16 x 2"	2.00	H05222030	1/2-20 x 1-1/2"	2.20
H05142845	1/4-28 x 2-1/4"	2.00	H05182415	3/8-24 x 3/4"	1.70	H05222035	1/2-20 x 1-3/4"	2.20
H05161812	5/16-18 x 5/8"	1.70	H05182420	3/8-24 x 1"	1.70	H05222040	1/2-20 x 2"	2.20
H05161815	5/16-18 x 3/4"	1.70	H05182425	3/8-24 x 1-1/4"	2.00	H05222045	1/2-20 x 2-1/4"	2.20
H05161817	5/16-18 x 7/8"	1.70	H05182430	3/8-24 x 1-1/2"	2.00	H05222050	1/2-20 x 2-1/2"	2.20
H05161820	5/16-18 x 1"	1.70	H05182435	3/8-24 x 1-3/4"	2.00	H05222055	1/2-20 x 2-3/4"	2.20
H05161825	5/16-18 x 1-1/4"	2.00	H05182440	3/8-24 x 2"	2.00			
H05161830	5/16-18 x 1-1/2"	2.00	H05201420	7/16-14 x 1"	2.00			
H05161835	5/16-18 x 1-3/4"	2.00	H05201425	7/16-14 x 1-1/4"	2.00			
H05161840	5/16-18 x 2"	2.00						



Hex nut, zinc			Hex nuts, chrome			Hex nuts, stainless steel		
H20044005	4-40 x 1/4"	0.20	H24142008	1/4-20 x 7/16"	0.75	H21063206	6-32 x 5/16"	0.50
H20063206	6-32 x 5/16"	0.20	H24142808	1/4-28 x 7/16"	0.75	H21083206	8-32 x 11/32"	0.50
H20083206	8-32 x 11/32"	0.20	H24161810	5/16-18 x 1/2"	0.88	H21102407	10-24 x 3/8"	0.50
H20102407	10-24 x 3/8"	0.20	H24162410	5/16-24 x 1/2"	0.88	H21103207	10-32 x 3/8"	0.50
H20103207	10-32 x 3/8"	0.20	H24181611	3/8-16 x 9/16"	1.00	H21142008	1/4-20 x 7/16"	0.50
H20122408	12-24 x 7/16"	0.20	H24182411	3/8-24 x 9/16"	1.00	H21142808	1/4-28 x 7/16"	0.50
H20142008	1/4-20 x 7/16"	0.20	H24201412	7/16-14 x 5/8"	1.00	H21161810	5/16-18 x 1/2"	0.50
H20142808	1/4-28 x 7/16"	0.20	H24202012	7/16-20 x 5/8"	1.00	H21162410	5/16-24 x 1/2"	0.50
H20161810	5/16-18 x 1/2"	0.20	H24222015	1/2-20 x 3/4"	1.25	H21181611	3/8-16 x 9/16"	0.60
H20162410	5/16-24 x 1/2"	0.20	H24261818	5/8-18 x 15/16"	1.50	H21182411	3/8-24 x 9/16"	0.60
H20181611	3/8-16 x 9/16"	0.30				H21202014	7/16-20 x 11/16"	0.60
H20182411	3/8-24 x 9/16"	0.30				H21222015	1/2-20 x 3/4"	1.00
H20201414	7/16-14 x 11/16"	0.30				H21261818	5/8-18 x 15/16"	2.00
H20202014	7/16-20 x 11/16"	0.30						
H20221315	1/2-13 x 3/4"	0.30						
H20222015	1/2-20 x 3/4"	0.30						
H20261118	5/8-11 x 15/16"	0.30						
H20261818	5/8-18 x 15/16"	0.30						
H20301022	3/4-10 x 1 1/8"	0.30						
H20301622	3/4-16 x 1 1/8"	0.30						



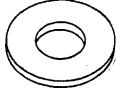
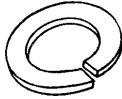


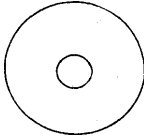

Nylock nuts, zinc			Nylock nuts, chrome		
H22044005	4-40 x 1/4"	0.30	H23102407	10-24 x 3/8"	0.88
H22063206	6-32 x 5/16"	0.30	H23103207	10-32 x 3/8"	0.88
H22083206	8-32 x 11/32"	0.30	H23142008	1/4-20 x 7/16"	1.00
H22102407	10-24 x 3/8"	0.30	H23142808	1/4-28 x 7/16"	0.88
H22103207	10-32 x 3/8"	0.30	H23161810	5/16-18 x 1/2"	1.00
H22122408	12-24 x 7/16"	0.30	H23162410	5/16-24 x 1/2"	1.00
H22142008	1/4-20 x 7/16"	0.30	H23181611	3/8-16 x 9/16"	1.13
H22142808	1/4-28 x 7/16"	0.30	H23182411	3/8-24 x 9/16"	1.13
H22161810	5/16-18 x 1/2"	0.30	H23201412	7/16-14 x 5/8"	1.13
H22162410	5/16-24 x 1/2"	0.40	H23202012	7/16-20 x 5/8"	1.13
H22181611	3/8-16 x 9/16"	0.40	H23222015	1/2-20 x 3/4"	1.25
H22182411	3/8-24 x 9/16"	0.40	H23261818	5/8-18 x 15/16"	1.38
H22201412	7/16-14 x 5/8"	0.40			
H22202012	7/16-20 x 5/8"	0.40			
H22221315	1/2-13 x 3/4"	0.40			
H22222015	1/2-20 x 3/4"	0.40			
H22261118	5/8-11 x 15/16"	0.40			
H22261818	5/8-18 x 15/16"	0.40			
H22301021	3/4-10 x 1 1/16"	0.40			
H22301621	3/4-16 x 1 1/16"	0.40			



Acorn nuts, chrome			Cap nuts, chrome		
H25102407	10-24 x 3/8"	1.63	H26102407	10-24 x 3/8"	1.88
H25103207	10-32 x 3/8"	1.63	H26103207	10-32 x 3/8"	1.88
H25142008	1/4-20 x 7/16"	1.88	H26142008	1/4-20 x 7/16"	1.88
H25142408	1/4-24 x 7/16"	1.88	H26142408	1/4-24 x 7/16"	1.88
H25142808	1/4-28 x 7/16"	1.63	H26142808	1/4-28 x 7/16"	1.63
H25161810	5/16-18 x 1/2"	1.88	H26161810	5/16-18 x 1/2"	1.88
H25162410	5/16-24 x 1/2"	1.88	H26162410	5/16-24 x 1/2"	1.88
H25181611	3/8-16 x 9/16"	2.00	H26181611	3/8-16 x 9/16"	2.13
H25182411	3/8-24 x 9/16"	2.00	H26182411	3/8-24 x 9/16"	2.13
H25201414	7/16-14 x 11/16"	2.50	H26201414	7/16-14 x 11/16"	2.50
H25202014	7/16-20 x 11/16"	2.50	H26202014	7/16-20 x 11/16"	2.50
H25221315	1/2-13 x 3/4"	3.75	H26221315	1/2-13 x 3/4"	3.75
H25222015	1/2-20 x 3/4"	3.75	H26222015	1/2-20 x 3/4"	3.75
H25241217	9/16-12 x 7/8"	4.00	H26241217	9/16-12 x 7/8"	4.00
H25241817	9/16-18 x 7/8"	4.00	H26241817	9/16-18 x 7/8"	4.00
H25261118	5/8-11 x 15/16"	5.63	H26261118	5/8-11 x 15/16"	5.63
H25261125	5/8-11 x 1 1/4"	8.13	H26261818	5/8-18 x 15/16"	5.63
H25261818	5/8-18 x 15/16"	6.88			
H25261825	5/8-18 x 1 1/4"	9.63			
H25301622	3/4-16 x 1 1/8"	7.75			



## Standard Hardware

Standard flatwasher, zinc			Standard flatwasher, chrome			Flatwasher, stainless steel		
<b>H40042002</b>	4 x 5/16" x 1/32"	0.20	<b>H41082802</b>	8 x 7/16" x 1/32"	0.30	<b>H45082402</b>	8 x 3/8" x 1/32"	0.30
<b>H40062403</b>	6 x 3/8" x 3/64"	0.20	<b>H41103202</b>	10 x 1/2" x 1/32"	0.30	<b>H45102803</b>	10 x 7/16" x 3/64"	0.30
<b>H40082804</b>	8 x 7/16" x 1/16"	0.20	<b>H41123604</b>	12 x 9/16" x 1/16"	0.30	<b>H45144004</b>	1/4" x 5/8" x 1/16"	0.30
<b>H40103203</b>	10 x 1/2" x 3/64"	0.20	<b>H41143603</b>	1/4" x 9/16" x 3/64"	0.38	<b>H45164404</b>	5/16" x 11/16" x 1/16"	0.30
<b>H40123604</b>	12 x 9/16" x 1/16"	0.20	<b>H41164004</b>	5/16" x 5/8" x 1/16"	0.38	<b>H45185204</b>	3/8" x 13/16" x 1/16"	0.30
<b>H40144004</b>	1/4" x 5/8" x 1/16"	0.20	<b>H41184804</b>	3/8" x 3/4" x 1/16"	0.38	<b>H45206004</b>	7/16" x 15/16" x 1/16"	0.30
<b>H40164404</b>	5/16" x 11/16" x 1/16"	0.20	<b>H41244806</b>	7/16" x 3/4" x 3/32"	0.38	<b>H45226804</b>	1/2" x 1-1/16" x 1/16"	0.30
<b>H40185204</b>	3/8" x 13/16" x 1/16"	0.20				<b>H45268404</b>	5/8" x 1-5/16" x 1/16"	0.30
<b>H40206005</b>	7/16" x 15/16" x 5/64"	0.20						
<b>H40226805</b>	1/2" x 1-1/16" x 5/64"	0.20						
Standard lockwasher, zinc			Standard lockwasher, chrome			Lockwasher, stainless steel		
<b>H50041202</b>	4 x 3/16" x 1/32"	0.20	<b>H53081803</b>	8 x 9/32" x 3/64"	0.30	<b>H55081802</b>	8 x 9/32" x 1/32"	0.30
<b>H50061602</b>	6 x 1/4" x 1/32"	0.20	<b>H53102003</b>	10 x 5/16" x 3/64"	0.30	<b>H55102003</b>	10 x 5/16" x 3/64"	0.30
<b>H50081803</b>	8 x 9/32" x 3/64"	0.20	<b>H53143004</b>	1/4" x 15/32" x 1/16"	0.30	<b>H55143004</b>	1/4" x 15/32" x 1/16"	0.30
<b>H50102103</b>	10 x 21/64" x 3/64"	0.20	<b>H53163605</b>	5/16" x 9/16" x 5/64"	0.30	<b>H55163605</b>	5/16" x 9/16" x 5/64"	0.30
<b>H50122404</b>	12 x 3/8" x 1/16"	0.20	<b>H53184306</b>	3/8" x 43/64" x 3/32"	0.30	<b>H55184406</b>	3/8" x 11/16" x 3/32"	0.30
<b>H50143104</b>	1/4" x 31/64" x 1/16"	0.20	<b>H53204807</b>	7/16" x 3/4" x 7/64"	0.30	<b>H55204807</b>	7/16" x 3/4" x 7/64"	0.30
<b>H50163605</b>	5/16" x 9/16" x 5/64"	0.20	<b>H53225508</b>	1/2" x 55/64" x 1/8"	0.30	<b>H55225408</b>	1/2" x 27/32" x 1/8"	0.30
<b>H50184307</b>	3/8" x 43/64" x 7/64"	0.20	<b>H53266710</b>	5/8" x 1-3/64" x 5/32"	0.30	<b>H55266709</b>	5/8" x 1-3/64" x 9/64"	0.30
<b>H50204908</b>	7/16" x 49/64" x 1/8"	0.20						
<b>H50225509</b>	1/2" x 55/64" x 9/64"	0.20						
<b>H50246008</b>	9/16" x 15/16" x 1/8"	n.a.						
<b>H50266710</b>	5/8" x 1-3/64" x 5/32"	0.20						
<b>H50308012</b>	3/4" x 1-1/4" x 3/16"	0.20						
External lockwasher, zinc			Internal lockwasher, zinc					
<b>H51040000</b>	# 4	0.20	<b>H52040000</b>	# 4	0.20			
<b>H51060000</b>	# 6	0.20	<b>H52060000</b>	# 6	0.20			
<b>H51080000</b>	# 8	0.20	<b>H52080000</b>	# 8	0.20			
<b>H51100000</b>	#10	0.20	<b>H52100000</b>	#10	0.20			
<b>H51120000</b>	#12	0.20	<b>H52120000</b>	#12	0.20			
<b>H51140000</b>	1/4"	0.20	<b>H52140000</b>	1/4"	0.20			
<b>H51160000</b>	5/16"	0.20	<b>H52160000</b>	5/16"	0.20			
<b>H51180000</b>	3/8"	0.20	<b>H52180000</b>	3/8"	0.20			
<b>H51200000</b>	7/16"	0.20	<b>H52200000</b>	7/16"	0.20			
			<b>H52220000</b>	1/2"	0.20			
			<b>H52260000</b>	5/8"	0.20			
			<b>H52280000</b>	11/16"	0.20			
			<b>H52300000</b>	3/4"	0.20			
AN flatwasher (small O.D.), zinc			Hardened flatwasher, chrome			Fender washer (large O.D.), zinc		
<b>H42062002</b>	6 x 5/16" x 1/32"	0.20	<b>H46143906</b>	1/4" x 39/64" x 3/32"	0.80	<b>H44106404</b>	10 x 1" x 1/16"	0.20
<b>H42082402</b>	8 x 3/8" x 1/32"	0.20	<b>H46164306</b>	5/16" x 43/64" x 3/32"	0.80	<b>H44146404</b>	1/4" x 1" x 1/16"	0.20
<b>H42102804</b>	10 x 7/16" x 1/16"	0.20	<b>H46185106</b>	3/8" x 51/64" x 3/32"	0.80	<b>H44169604</b>	5/16" x 1-1/2" x 1/16"	0.20
<b>H42143204</b>	1/4" x 1/2" x 1/16"	0.20	<b>H46205806</b>	7/16" x 29/32" x 3/32"	0.80	<b>H44189604</b>	3/8" x 1-1/2" x 1/16"	0.20
<b>H42163604</b>	5/16" x 9/16" x 1/16"	0.20	<b>H46226708</b>	1/2" x 1-3/64" x 1/8"	0.80			
<b>H42184004</b>	3/8" x 5/8" x 1/16"	0.20	<b>H46267308</b>	5/8" x 1-9/64" x 1/8"	0.80			
<b>H42204804</b>	7/16" x 3/4" x 1/16"	0.20						
<b>H42225604</b>	1/2" x 7/8" x 1/16"	0.20						
<b>H42267604</b>	5/8" x 1-3/16" x 1/16"	0.20						
	